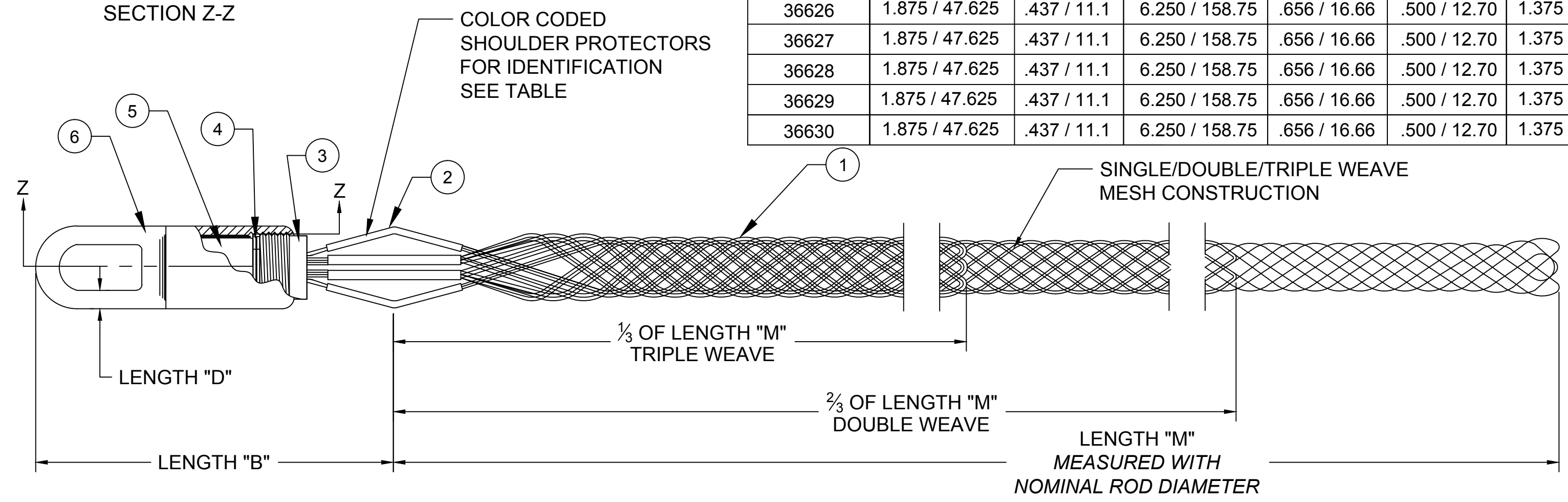
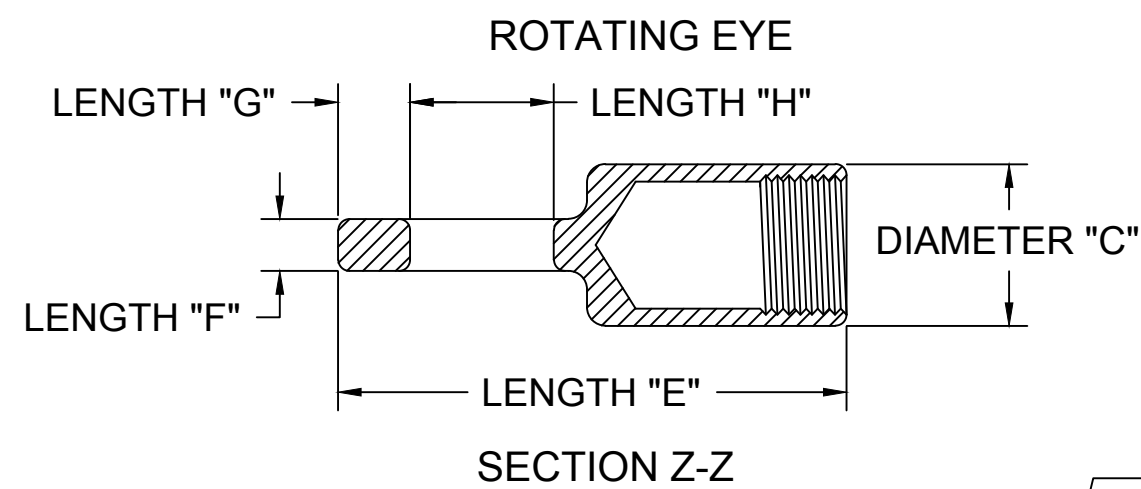


CATALOG NUMBER	MATERIAL NUMBER	CABLE RANGE	NOMINAL ROD DIAMETER	LENGTH "M"	LENGTH "B"	COLOR CODE	APPROXIMATE BREAK STRENGTH* (LBS / N)	UL LISTED	CSA APPROVED	PRODUCT SELECTION NUMBER
36620	1300950278	.25-.49 / 6.4-12.4	.37 / 9.4	26.00±2.50 / 660.4±63.5	5.00±0.50 / 127.0±12.7	DARK GREEN	6800 / 30248	NO	YES	PR025-26MS
36621	1300950279	.50-.74 / 12.7-18.8	.62 / 15.7	32.00±3.50 / 812.8±88.9	6.00±0.50 / 152.4±12.7	BROWN	10000 / 44482			PR050-32MS
36622	1300950280	.75-.99 / 19.1-25.1	.87 / 22.1	41.00±4.50 / 1041.4±114.3	6.00±0.50 / 152.4±12.7	LIGHT BLUE	14400 / 64054			PR075-41MS
36623	1300950281	1.00-1.24 / 25.4-31.5	1.12 / 28.4	52.00±5.00 / 1320.8±127.0	8.00±1.00 / 203.2±25.4	GOLD	24600 / 109426			PR100-52MS
36624	1300950282	1.25-1.49 / 31.8-37.8	1.37 / 34.8	56.00±5.00 / 1422.4±127.0	8.00±1.00 / 203.2±25.4	BLACK	30600 / 136116			PR125-56MS
36625	1300950283	1.50-1.74 / 38.1-44.2	1.62 / 41.1	60.00±5.00 / 1524.0±127.0	9.00±1.00 / 228.6±25.4	RED	30600 / 136116			PR150-60MS
36626	1300950284	1.75-2.24 / 44.5-56.9	2.00 / 50.8	70.00±6.00 / 1778.0±152.4	10.00±1.00 / 254.0±25.4	DARK BLUE	48000 / 213515			PR175-70MS
36627	1300950285	2.00-2.49 / 50.8-63.2	2.25 / 57.2	50.00±5.00 / 1270.0±127.0	10.00±1.00 / 254.0±25.4	YELLOW	48000 / 213515			PR200-50MS
36628	1300950286	2.50-2.99 / 63.5-75.9	2.75 / 69.9	52.00±5.00 / 1320.8±127.0	10.00±1.00 / 254.0±25.4	ORANGE	48000 / 213515			PR250-52MS
36629	1300950287	3.00-3.49 / 76.2-88.6	3.25 / 82.6	54.00±5.00 / 1371.6±127.0	10.00±1.00 / 254.0±25.4	ALUMINUM	48000 / 213515			PR300-54MS
36630	-----	3.50-3.99 / 88.9-101.3	3.75 / 95.3	56.00±5.00 / 1422.4±127.0	10.00±1.00 / 254.0±25.4	LIGHT GREEN	48000 / 213515	PR350-56MS		

\*TO DETERMINE RECOMMENDED WORKING LOAD, DIVIDE BREAK STRENGTH BY 5.

ROTATING EYE DIMENSIONS - REFERENCE						
CATALOG NUMBER	DIAMETER "C"	LENGTH "D"	LENGTH "E"	LENGTH "F"	LENGTH "G"	LENGTH "H"
36620	.875 / 22.23	.187 / 4.75	2.750 / 69.85	.281 / 7.14	.250 / 6.35	.875 / 22.23
36621	1.000 / 25.40	.219 / 5.56	3.625 / 92.08	.500 / 12.70	.312 / 7.92	.906 / 23.01
36622	1.000 / 25.40	.219 / 5.56	3.625 / 92.08	.500 / 12.70	.312 / 7.92	.906 / 23.01
36623	1.375 / 34.93	.344 / 8.74	4.625 / 117.48	.500 / 12.70	.375 / 9.53	1.000 / 25.40
36624	1.625 / 41.275	.375 / 9.53	5.437 / 138.10	.625 / 15.88	.500 / 12.70	1.187 / 30.15
36625	1.875 / 47.625	.437 / 11.1	6.250 / 158.75	.656 / 16.66	.500 / 12.70	1.375 / 34.93
36626	1.875 / 47.625	.437 / 11.1	6.250 / 158.75	.656 / 16.66	.500 / 12.70	1.375 / 34.93
36627	1.875 / 47.625	.437 / 11.1	6.250 / 158.75	.656 / 16.66	.500 / 12.70	1.375 / 34.93
36628	1.875 / 47.625	.437 / 11.1	6.250 / 158.75	.656 / 16.66	.500 / 12.70	1.375 / 34.93
36629	1.875 / 47.625	.437 / 11.1	6.250 / 158.75	.656 / 16.66	.500 / 12.70	1.375 / 34.93
36630	1.875 / 47.625	.437 / 11.1	6.250 / 158.75	.656 / 16.66	.500 / 12.70	1.375 / 34.93



INSTRUCTION SHEET TO BE INCLUDED WITH GRIP.

ITEM	DESCRIPTION	MATERIAL
1	WIRE MESH	GALVANIZED STEEL
2	SHOULDER PROTECTOR	ALUMINUM
3	THREADED INSERT	STEEL
4	FLAT WASHERS	NYLATRON
5	SWAGING FERRULE	STEEL
6	ROTATING EYE	STEEL

RELEASE SALES DRAWING  
 EC NO.: ICG2014-1924  
 DRWN: HRUIZ01 2014/09/04  
 CHKD: HKNEELAN 2014/09/04  
 APPR: JFMURPHY 2015/03/23

QUALITY SYMBOL  
 ▽=0  
 ∇=0

DESCRIPTION  
 A

GENERAL TOLERANCES (UNLESS SPECIFIED)

	mm	INCH
4 PLACES	±---	±---
3 PLACES	±---	±.005
2 PLACES	±.13	±.010
1 PLACE	±.25	±.020

ANGULAR ±1/2°

DRAFT WHERE APPLICABLE MUST REMAIN WITHIN DIMENSIONS

DIMENSION STYLE INCH/MM

SCALE NTS

DESIGN UNITS INCH

THIRD ANGLE PROJECTION

DRAWN BY: HRUIZ01 DATE: 2014/09/04

CHECKED BY: HKNEELAN DATE: 2014/09/04

APPROVED BY: JFMURPHY DATE: 2015/03/23

TITLE: PULLING GRIPS MULTI-WEAVE ROTATING EYE

MATERIAL NO.: SEE TABLE

DOCUMENT NO.: SD-130095-110

SHEET NO.: 1 OF 1

MOLEX INCORPORATED

THIS DRAWING CONTAINS INFORMATION THAT IS PROPRIETARY TO MOLEX INCORPORATED AND SHOULD NOT BE USED WITHOUT WRITTEN PERMISSION