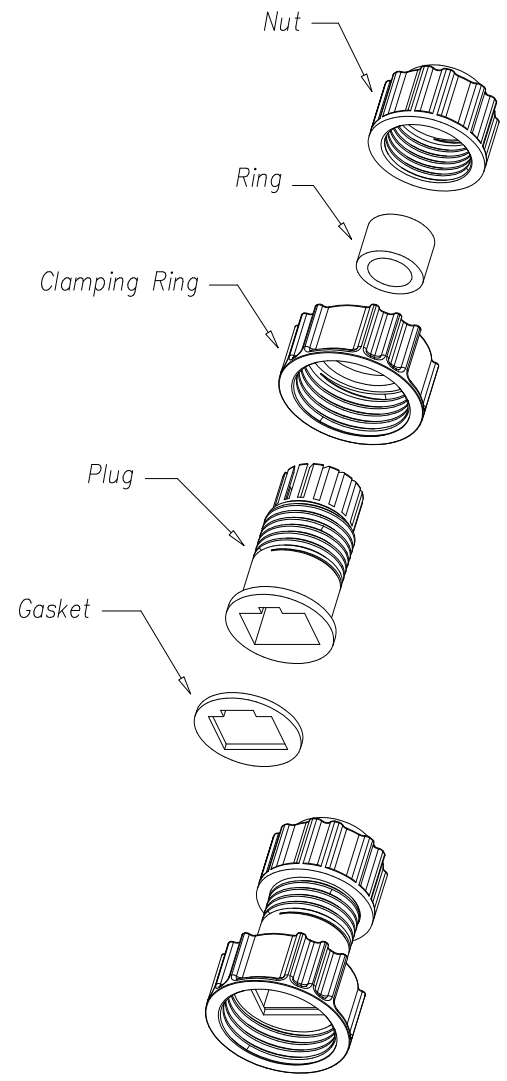
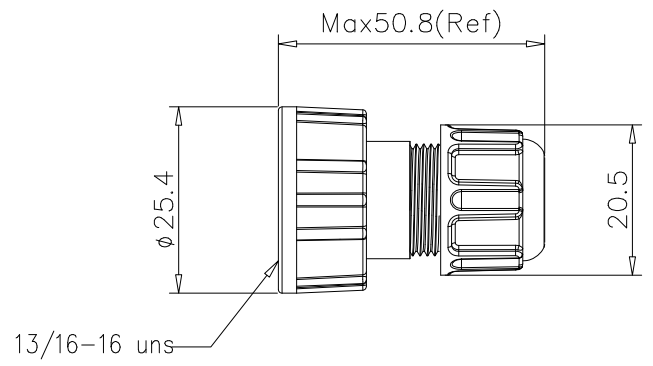


REV.	ECN NO.	DESCRIPTION	SIGN	DATE
C1	N/A	Initial Drawing	Xinkunfu	2019/08/13



- Specification:
- 1.Operation Temperature: $-40^{\circ}\text{C}\sim 85^{\circ}\text{C}$.
 - 2.Insulation Resistance: $100\text{M}\Omega$ At DC500V.
 - 3.Contact Resistance: $<30\text{m}\Omega$.
 - 4.Waterproof: IP67(Mated).
 - 5.Mating Cycles: 500 Cycles.
 - 6.Seal Nut: Nylon, Black
 - 7.Seal Ring: Silicon, Black
 - 8.Clamp Ring: Nylon, Black
 - 9.Gasket: Silicon, Black
 - 10.RoHS Compliant.
 - 11.Wire Gauge: $4.0\text{mm}\sim 7.0\text{mm}$.

UNIT: mm	
TOLERANCE	
.X	± 0.25
.XX	± 0.15
.XXX	± 0.05
ANGLES	$\pm 1^{\circ}$

DESCRIPTION		RJ45 Plug Screw Tyre	
SCALE:	1:1	SHEET	1 OF 1
REV.	C1	SIZE	A4
* : Inspection Item			

CHOGORI[®]

PART NO	33000111-02	DRAWN BY	Xinkunfu	DATE	2019/08/13
DWG NO		CHECKED BY	Allen	DATE	2019/08/13
CUSTOMER		APPROVED BY	Panson	DATE	2019/08/13

THIS INFORMATION IS CONFIDENTIAL AND IS DISCLOSED TO YOU ON CONDITION THAT NO FURTHER DISCLOSE IS MADE BY YOU TO OTHER THAN CHOGORI PERSONNEL WITHOUT AUTHORIZATION FROM CHOGORI CORP.