

# SACC-E-M12FS-8CON-PG9/1,0 VAPO - Device connector front mounting



1401205

<https://www.phoenixcontact.com/us/products/1401205>

Please be informed that the data shown in this PDF document is generated from our online catalog. Please find the complete data in the user documentation. Our general terms of use for downloads are valid.



Device connector front mounting, 8-position, Socket, straight, M12, coding: A , on free cable end, Front mounting, Pg9, Individual wires, cable length: 1 m, 0.25 mm<sup>2</sup>, TPE litz wire, Alternative product in accordance with RoHS II without Exemption 6c (Pb <0.1%) item no.: 1238663

## Commercial data

Item number	1401205
Packing unit	1 pc
Minimum order quantity	1 pc
Sales key	AB24
Product key	ABQCUE
GTIN	4046356538237
Weight per piece (including packing)	40.4 g
Weight per piece (excluding packing)	40.4 g
Customs tariff number	85366990
Country of origin	DE

# SACC-E-M12FS-8CON-PG9/1,0 VAPO - Device connector front mounting



1401205

<https://www.phoenixcontact.com/us/products/1401205>

## Technical data

### Mounting

Mounting type	Front mounting Pg9
Connection method	Individual wires

### Product properties

Product type	Circular connectors (device side)
Number of positions	8
No. of cable outlets	1
Shielded	no
Coding	A
Thread type	M12

### Insulation characteristics

Overvoltage category	II
Degree of pollution	3

### Material specifications

Flammability rating according to UL 94	V0
Seal material	FKM
Contact material	CuZn
Contact surface material	Au
Contact carrier material	PA 66 GF
Material for screw connection	Stainless steel
Conductor material	Tin-plated Cu litz wires

### Electrical properties

Contact resistance	$\leq 3 \text{ m}\Omega$
Insulation resistance	$> 100 \text{ M}\Omega$
Nominal voltage $U_N$	30 V
Nominal current $I_N$	2 A
Max. conductor resistance	80 $\Omega/\text{km}$

### Connection data

#### Conductor connection

Connection method	Individual wires
Contact connection type	Socket
Conductor cross section	0.25 mm <sup>2</sup>

### Connector

#### Connection 1

# SACC-E-M12FS-8CON-PG9/1,0 VAPO - Device connector front mounting



1401205

<https://www.phoenixcontact.com/us/products/1401205>

Head design	Socket
Head cable outlet	straight
Head thread type	M12
Coding	A

## Connection 2

Head design	free cable end
-------------	----------------

## Cable/line

Cable length	1 m
Cable type	TPE litz wire
Wire diameter incl. insulation	1.15 mm ±0.07 mm
Single wire, color	brown, blue, white, gray, pink, green, yellow, red
Conductor material	Tin-plated Cu litz wires
Conductor structure signal line	14x 0.15 mm
AWG signal line	24
Material wire insulation	TPE
Thickness, insulation	0.21 mm
Nominal voltage, cable	300 V
Test voltage, cable	2000 V AC
Cable resistance	≤ 80 Ω/km
Cable insulation resistance	≥ 20 MΩ*km

## Environmental and real-life conditions

### Ambient conditions

Degree of protection	IP65/IP67/IP69/IP69K
	IP65/IP67/IP69K
Ambient temperature (operation)	-25 °C ... 85 °C (Plug / socket)
	-25 °C ... 90 °C (cable, fixed installation)

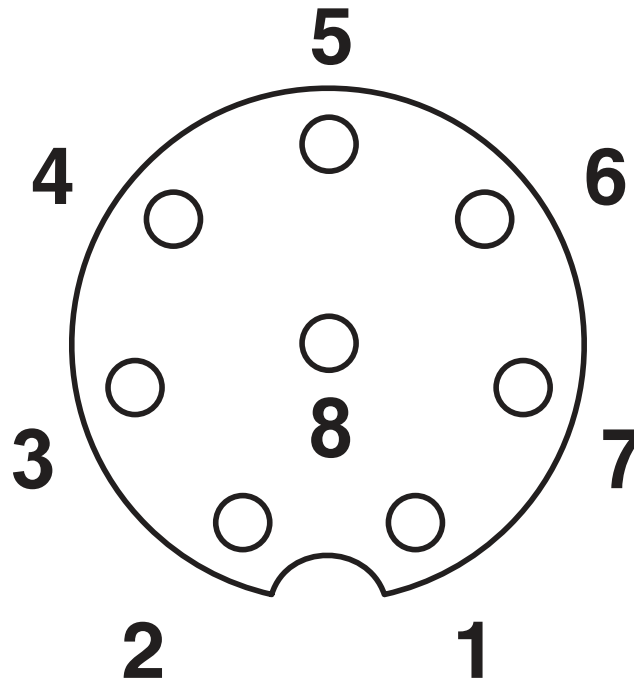
# SACC-E-M12FS-8CON-PG9/1,0 VAPO - Device connector front mounting

1401205

<https://www.phoenixcontact.com/us/products/1401205>

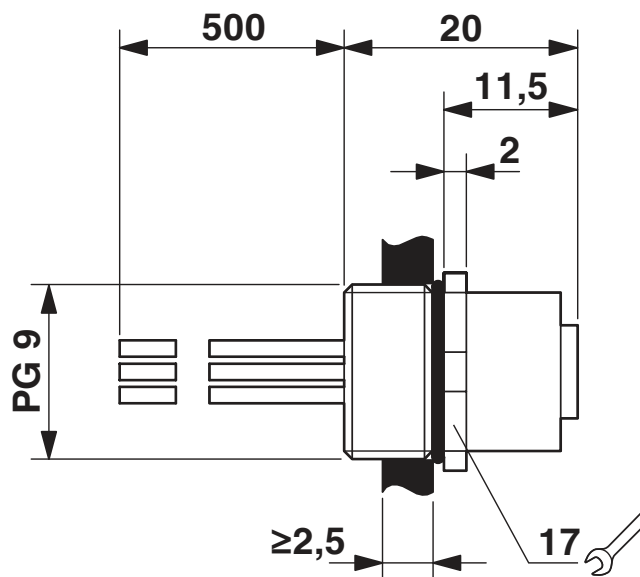
## Drawings

Schematic diagram



Pin assignment M12 socket, 8-pos., A-coded, view female side

Dimensional drawing



Dimensional drawing

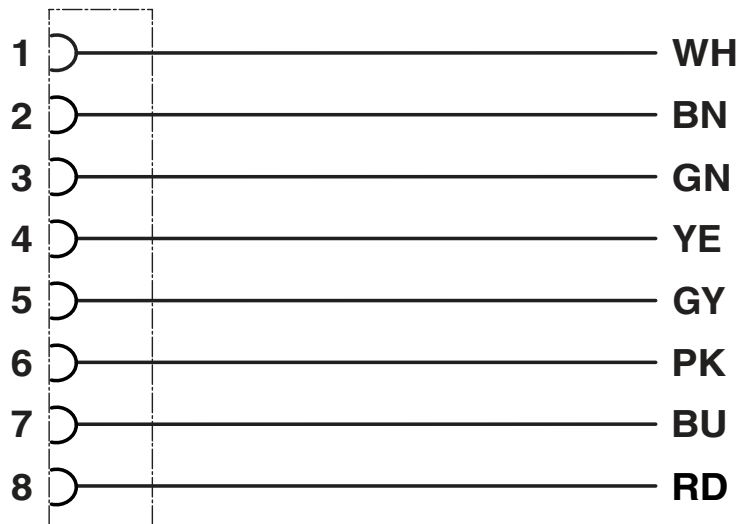
# SACC-E-M12FS-8CON-PG9/1,0 VAPO - Device connector front mounting



1401205

<https://www.phoenixcontact.com/us/products/1401205>

Circuit diagram



# SACC-E-M12FS-8CON-PG9/1,0 VAPO - Device connector front mounting



1401205

<https://www.phoenixcontact.com/us/products/1401205>

## Approvals

To download certificates, visit the product detail page: <https://www.phoenixcontact.com/us/products/1401205>



### UL Recognized

Approval ID: E118976-20100522

	Nominal voltage $U_N$	Nominal current $I_N$	Cross section AWG	Cross section $\text{mm}^2$
	30 V	2 A	- 24	-



### EAC

Approval ID: B.01687

# SACC-E-M12FS-8CON-PG9/1,0 VAPO - Device connector front mounting



1401205

<https://www.phoenixcontact.com/us/products/1401205>

## Classifications

### ECLASS

ECLASS-11.0	27440102
ECLASS-12.0	27440116
ECLASS-13.0	27440116

### ETIM

ETIM 8.0	EC002635
----------	----------

### UNSPSC

UNSPSC 21.0	39121400
-------------	----------

# SACC-E-M12FS-8CON-PG9/1,0 VAPO - Device connector front mounting



1401205

<https://www.phoenixcontact.com/us/products/1401205>

## Environmental product compliance

REACH SVHC	Lead 7439-92-1
China RoHS	Environmentally Friendly Use Period = 50 years
	For information on hazardous substances, refer to the manufacturer's declaration available under "Downloads"

Phoenix Contact 2023 © - all rights reserved  
<https://www.phoenixcontact.com>

Phoenix Contact USA  
586 Fulling Mill Road  
Middletown, PA 17057, United States  
(+717) 944-1300  
[info@phoenixcon.com](mailto:info@phoenixcon.com)