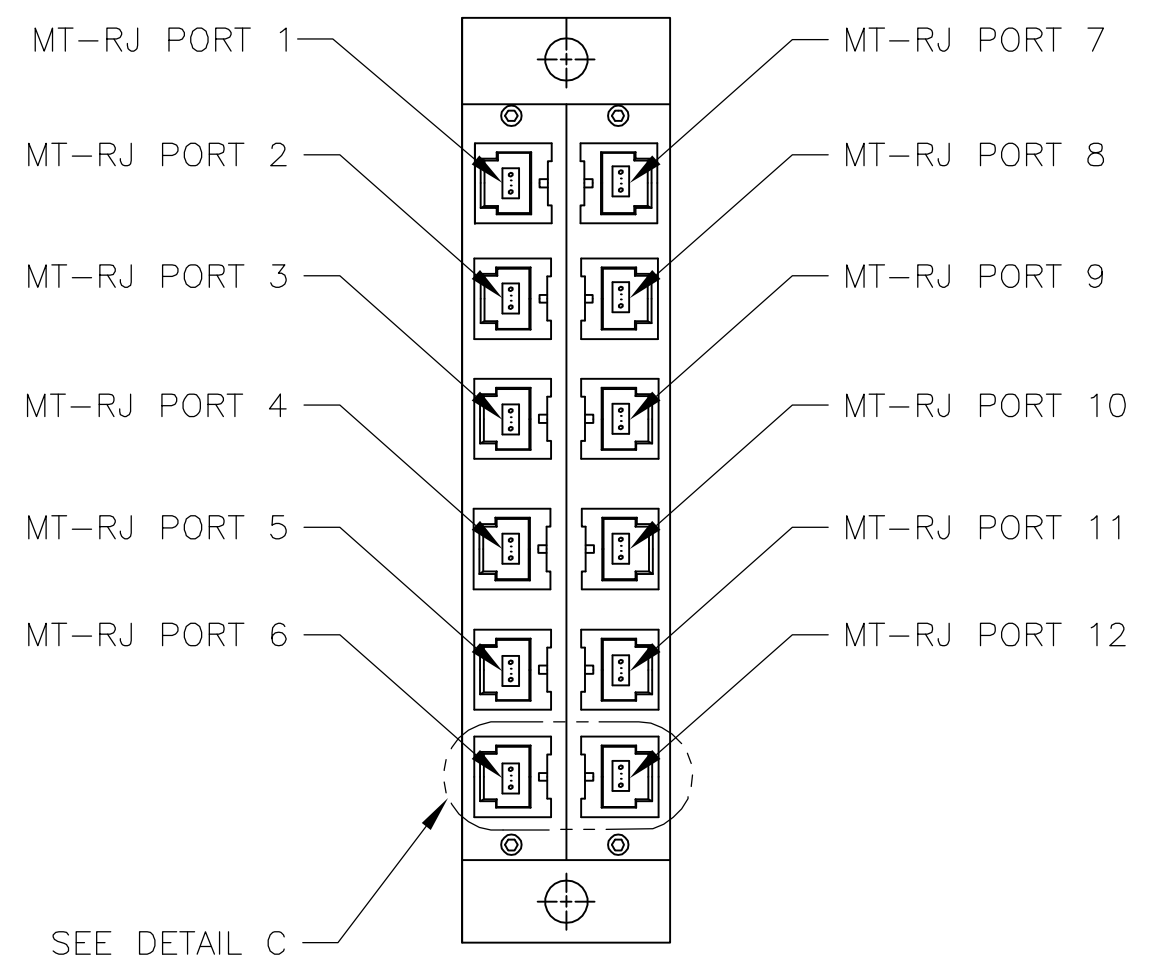
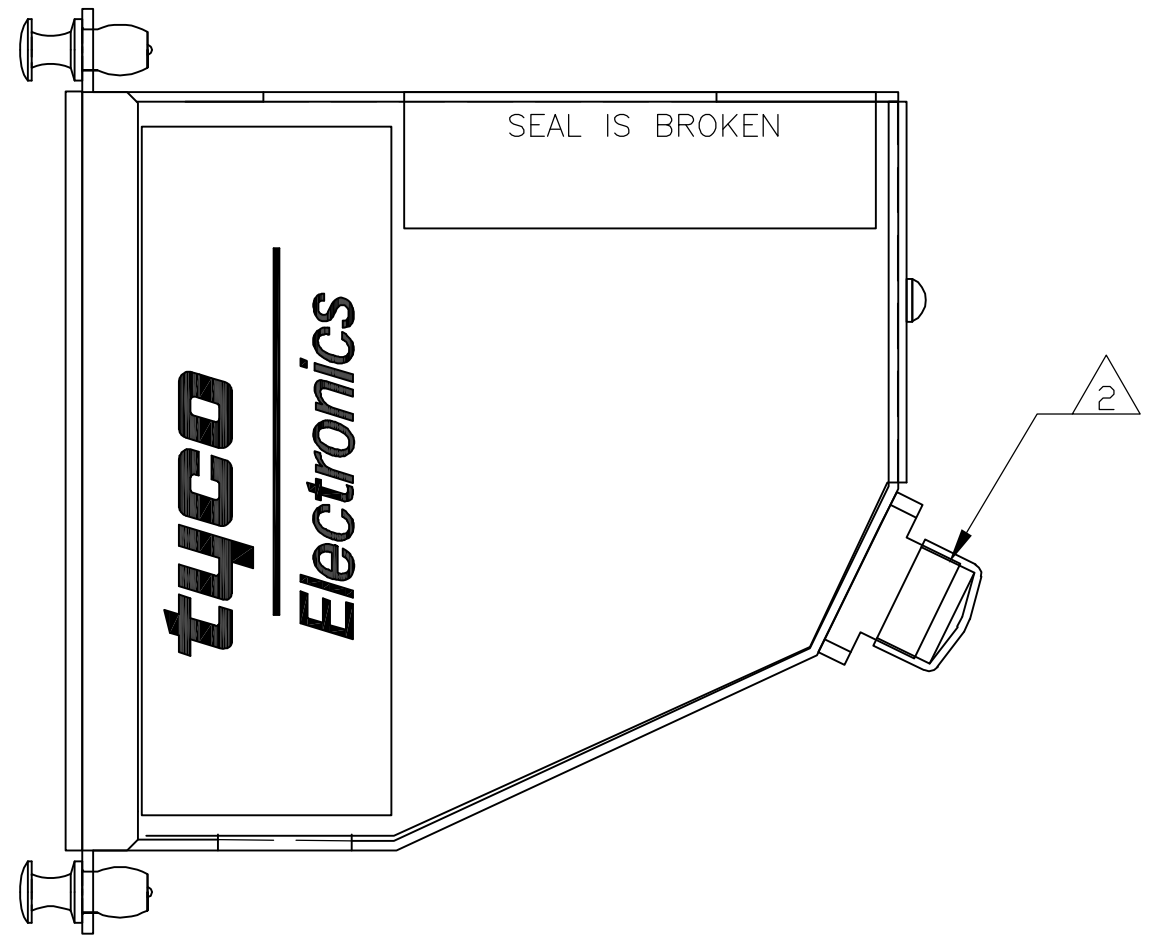


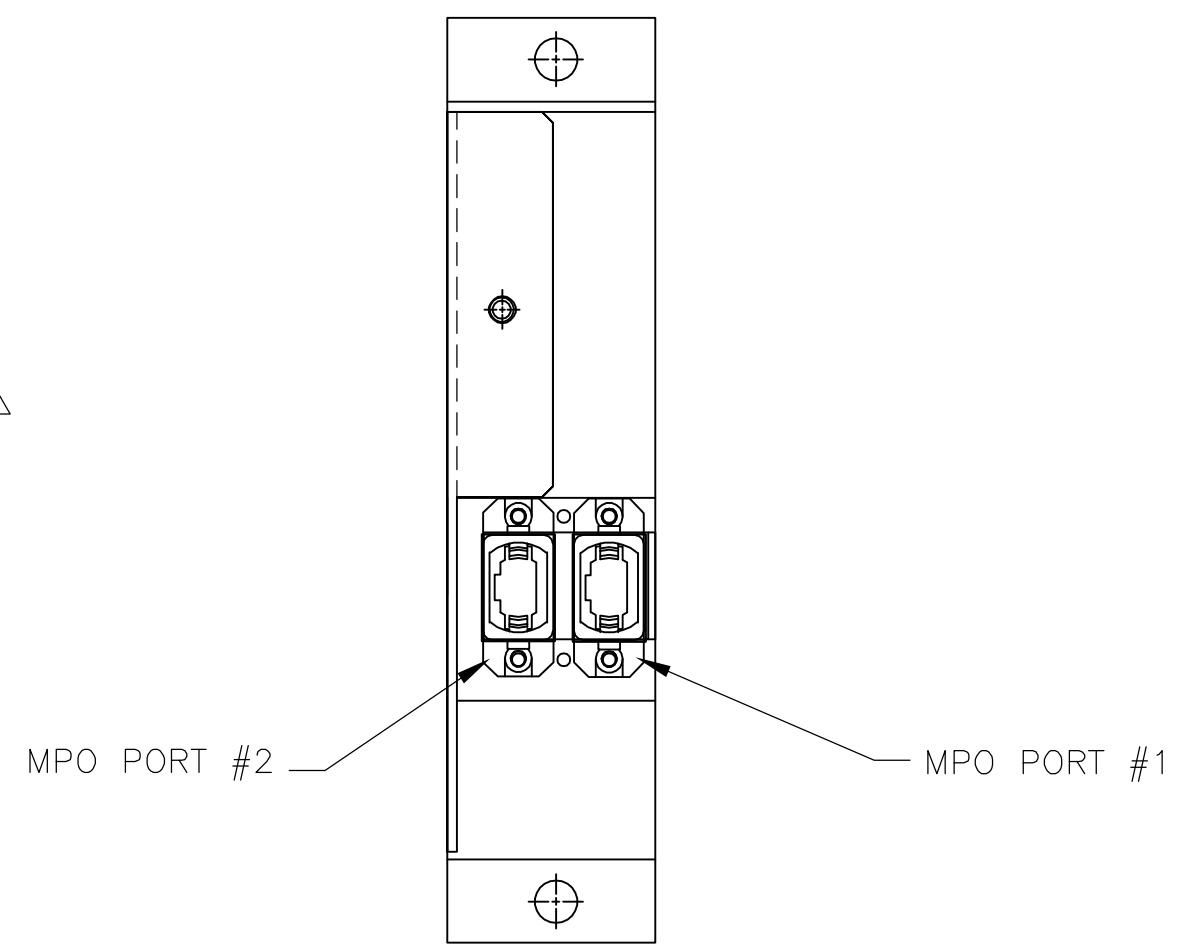
| LOC | DIST | REVISIONS | | | | | |
|-----|------|-----------|-----|----------------|---------|-----|------|
| CE | 17 | P | LTR | DESCRIPTION | DATE | DWN | APVD |
| | | A1 | | MINOR REVISION | 11APR07 | DLF | DLF |



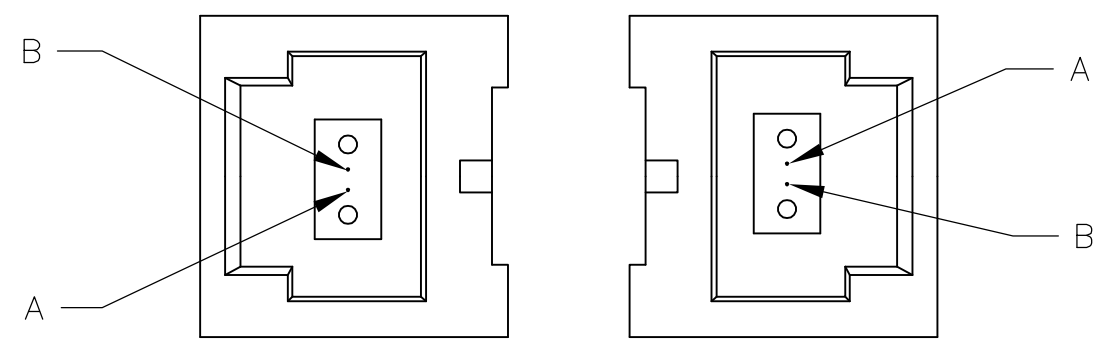
FRONT VIEW



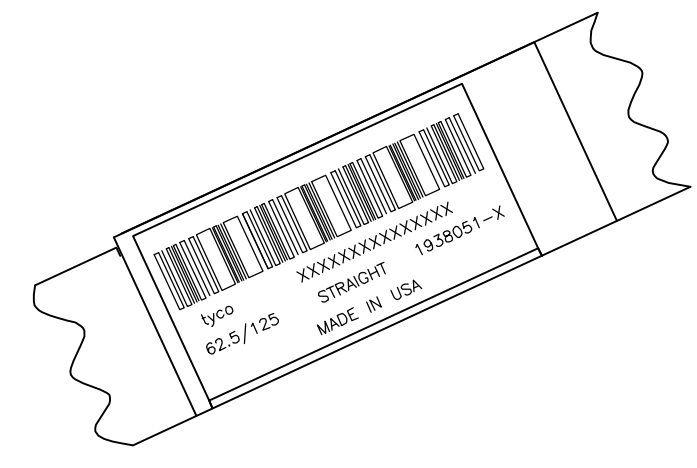
RIGHT SIDE VIEW



REAR VIEW



DETAIL C
 NOT TO SCALE
 TYP. 6 PLC.



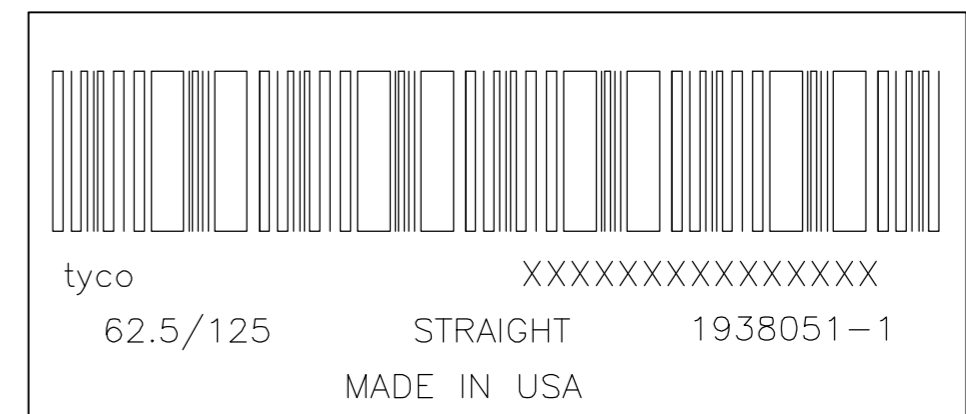
| | | | | | |
|---|--|-----------------------|---------|--|--------------------|
| THIS DRAWING IS A CONTROLLED DOCUMENT. | | DWN D. FENNEL | 19MAR07 | tyco Electronics Tyco Electronics Corporation Harrisburg, Pa 17105-3608 | |
| DIMENSIONS: mm | | CHK D. FENNEL | 19MAR07 | NAME D. FENNEL | |
| TOLERANCES UNLESS OTHERWISE SPECIFIED: 0 PLC ± - 1 PLC ± - 2 PLC ± - 3 PLC ± - 4 PLC ± - ANGLES ± - FINISH - | | APVD D. FENNEL | 19MAR07 | PRODUCT SPEC CASSSETE ASSY, 62.5/125um, 12 PORT, MPO SECURE TO MT-RJ SECURE, STRAIGHT FIBER PATH | |
| MATERIAL - | | APPLICATION SPEC - | | SIZE A2 | CAGE CODE 00779 |
| | | WEIGHT - | | DRAWING NO 1938051 | |
| | | CUSTOMER DRAWING | | SCALE NTS | SHEET 1 OF 2 |
| | | | | REV A1 | |

1938051

THIS DRAWING IS UNPUBLISHED. RELEASED FOR PUBLICATION
 © COPYRIGHT BY TYCO ELECTRONICS CORPORATION. ALL RIGHTS RESERVED.

| LOC | DIST | REVISIONS | | | |
|-----|------|-------------|------|-----|------|
| P | LTR | DESCRIPTION | DATE | DWN | APVD |
| CE | 17 | SEE SHEET 1 | - | - | - |

1. MAXIMUM CASSETTE ASSEMBLY LOSS: 1.25dB.
2. WHITE MARKING ON MPO TO BE FACING TOWARD TOP OF CONNECTOR MODULE. WHITE MARK INDICATES FIBER 1 SIDE.
3. SEE TRACE LABEL DETAIL.
4. SEE DETAIL C FOR FIBER CHANNEL ORIENTATION.
5. PRODUCT AND PROCESSING MUST MEET REQUIREMENTS OF TYCO ELECTRONICS STANDARD 230-702.
6. A COPY OF CASSETTE ASSEMBLY LOSS TEST DATA WILL BE PLACED INSIDE OR WITH THE UNIT PACKAGE. CASSETTES WILL BE TESTED AT 1300nm WAVELENGTH.



FIBER PATH (STRAIGHT)

| MPO PORT NUMBER | MPO FIBER NO | MT-RJ PORT NUMBER AND CHANNEL |
|-----------------|--------------|-------------------------------|
| #1 | 1 | 1B |
| | 2 | 1A |
| | 3 | 2B |
| | 4 | 2A |
| | 5 | 3B |
| | 6 | 3A |
| | 7 | 4B |
| | 8 | 4A |
| | 9 | 5B |
| | 10 | 5A |
| | 11 | 6B |
| | 12 | 6A |
| #2 | 1 | 7B |
| | 2 | 7A |
| | 3 | 8B |
| | 4 | 8A |
| | 5 | 9B |
| | 6 | 9A |
| | 7 | 10B |
| | 8 | 10A |
| | 9 | 11B |
| | 10 | 11A |
| | 11 | 12B |
| | 12 | 12A |

| | | |
|-----------------------------------|----------------------------|-------------|
| AQUA SECURE | AQUA SECURE | 1-1938051-1 |
| SLATE SECURE | SLATE SECURE | 1-1938051-0 |
| ROSE SECURE | ROSE SECURE | 1938051-9 |
| VIOLET SECURE | VIOLET SECURE | 1938051-8 |
| BROWN SECURE | BROWN SECURE | 1938051-7 |
| ORANGE SECURE | ORANGE SECURE | 1938051-6 |
| YELLOW SECURE | YELLOW SECURE | 1938051-5 |
| BLUE SECURE | BLUE SECURE | 1938051-4 |
| GREEN SECURE | GREEN SECURE | 1938051-3 |
| RED SECURE | RED SECURE | 1938051-2 |
| BLACK STANDARD | ALMOND STANDARD | 1938051-1 |
| MPO COUPLING BUSHING COLOR & TYPE | MT-RJ ADAPTER COLOR & TYPE | PART NUMBER |

| | | | | |
|--|--|-------------------------------|---|--|
| THIS DRAWING IS A CONTROLLED DOCUMENT. | | DWN D. FENNELL 19MAR07 | Tyco Electronics Corporation Harrisburg, Pa 17105-3608 | |
| DIMENSIONS: mm | | CHK D. FENNELL 19MAR07 | NAME D. FENNELL 19MAR07 | |
| | | APVD D. FENNELL 19MAR07 | | |
| TOLERANCES UNLESS OTHERWISE SPECIFIED: | | PRODUCT SPEC | | |
| 0 PLC ± - | | APPLICATION SPEC | | |
| 1 PLC ± - | | WEIGHT | | |
| 2 PLC ± - | | SIZE A2 | | |
| 3 PLC ± - | | CAGE CODE 00779 | | |
| 4 PLC ± - | | DRAWING NO C=1938051 | | |
| ANGLES ± - | | RESTRICTED TO | | |
| FINISH | | SCALE NTS SHEET 2 of 2 REV A1 | | |
| MATERIAL | | CUSTOMER DRAWING | | |

1938051