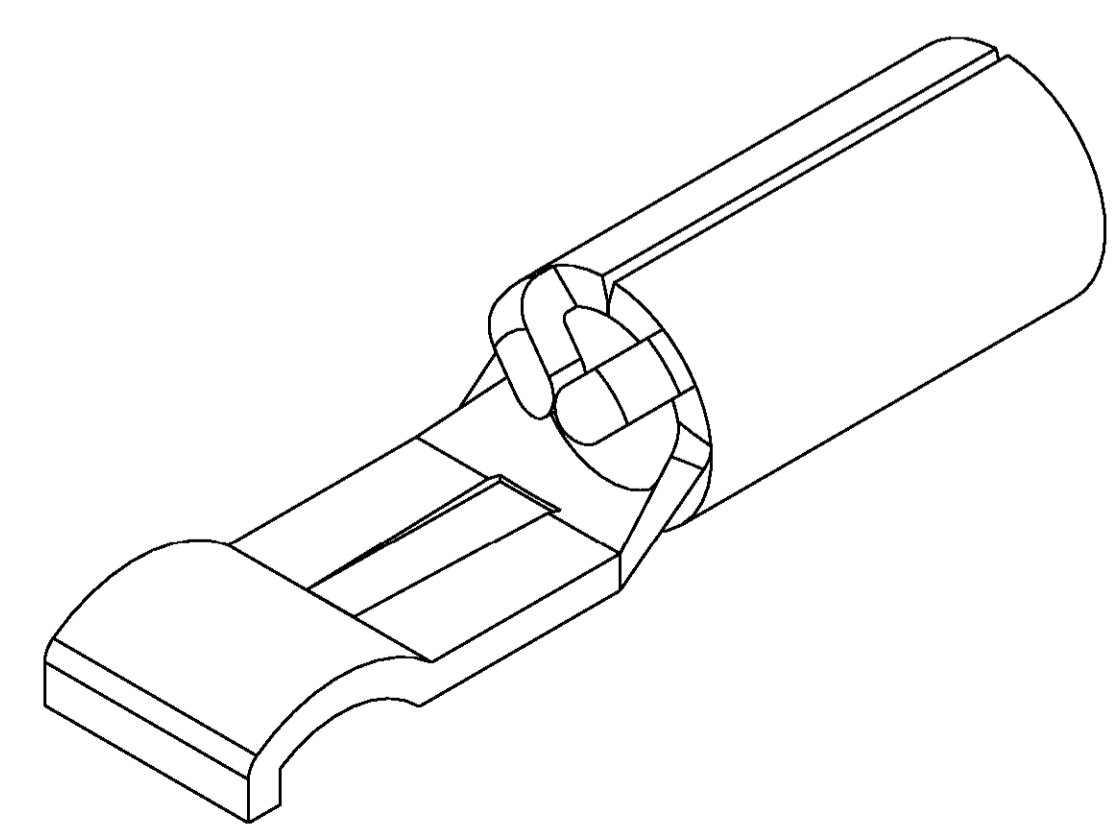
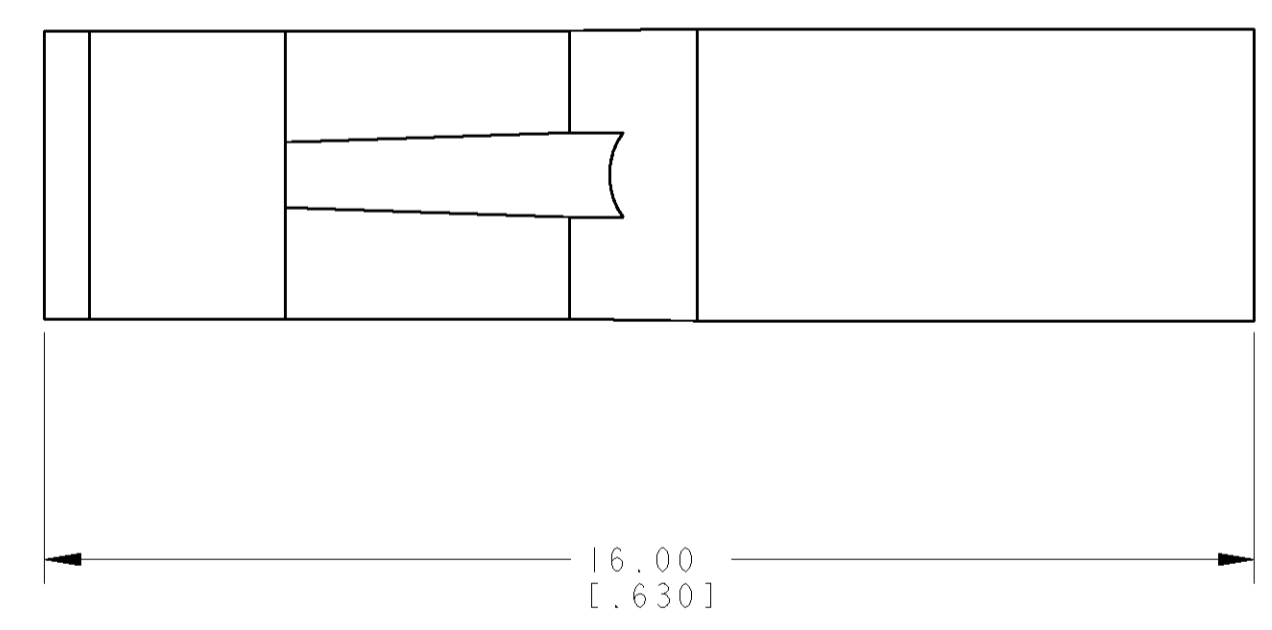
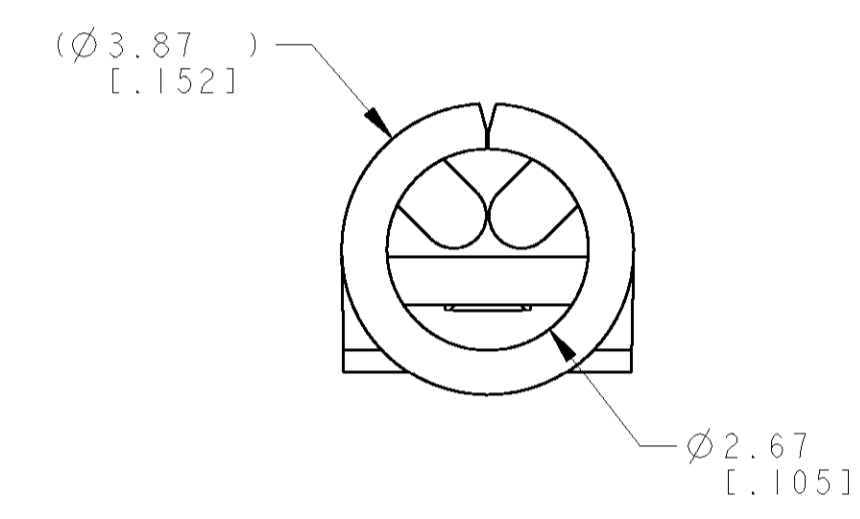
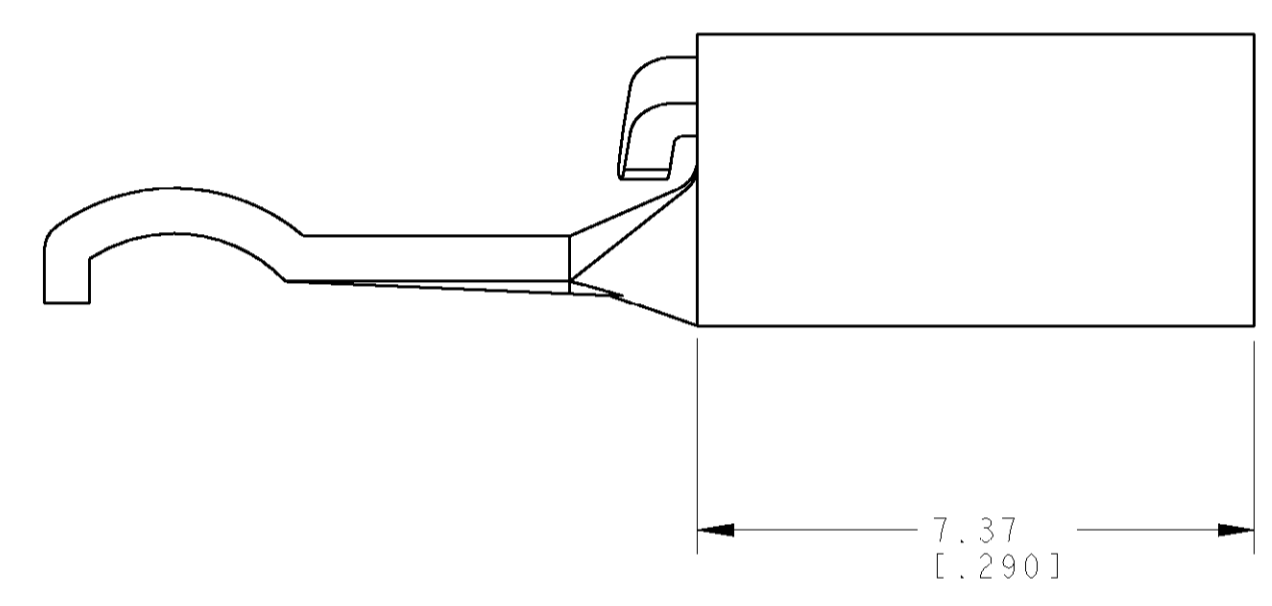
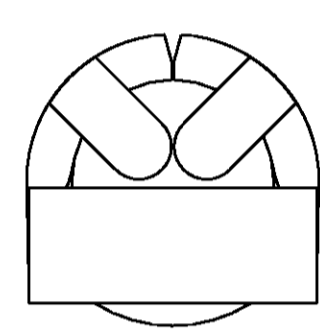
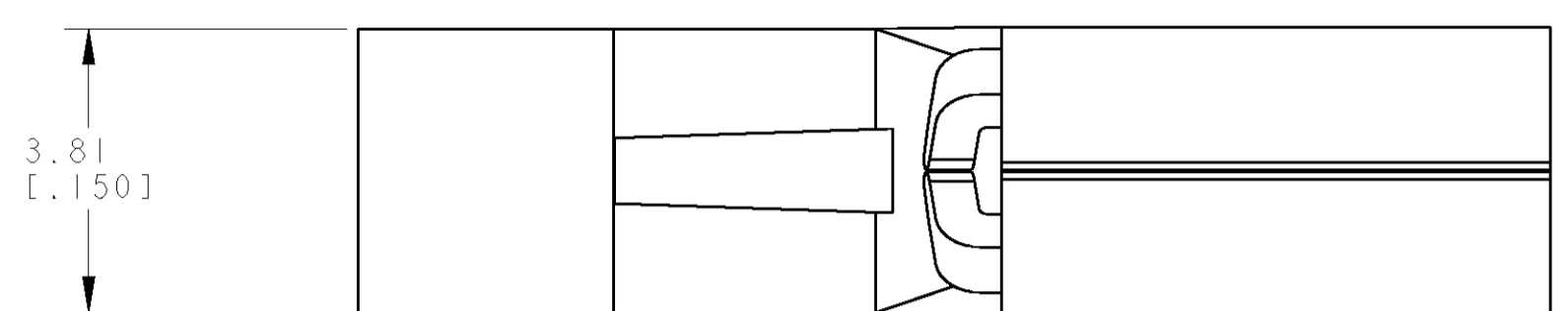


LOC		DIST		REVISIONS			
CM	00	P	LTR	DESCRIPTION	DATE	DWN	APVD
		0		REVISED PER 0638-1032-04	10NOV04	KW	JE



METRIC

1744041-1  
PART NUMBER

<small>THE DIMENSIONS IN CONDUCTIVE METALS FOR THIS REQUIREMENT CONFORMANCE SHALL BE PROVIDED TO THE CUSTOMER AND THE CUSTOMER'S ORGANIZATION SHALL BE CONTACTED FOR THE CORRECT POSITION.</small>		DWN B. WHITAKER 10NOV2004 CHK J. ELLIS 10NOV2004 APVD J. ELLIS 10NOV2004	<b>tyco</b> Tyco Electronics Harrisburg, PA 17105-3608
DIMENSIONS: mm [ INCHES ]	TOLERANCES UNLESS OTHERWISE SPECIFIED: 0 PLC ± 1 PLC ±0.5 [ .02 ] 2 PLC ±0.13 [ .005 ] 3 PLC ± 4 PLC ± ANGLES ±40° 30'	NAME LOOSE PIECE CONTACT, 12 - 16 AWG, AMP POWER SERIES 30 PRODUCT SPEC - APPLICATION SPEC - WEIGHT - FINISH SILVER	SIZE A   00779 C = 1744041 CUSTOMER DRAWING SCALE 10:1 SHEET 1 OF 1 REV 0