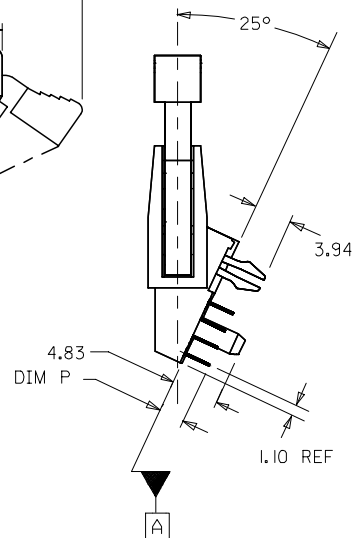
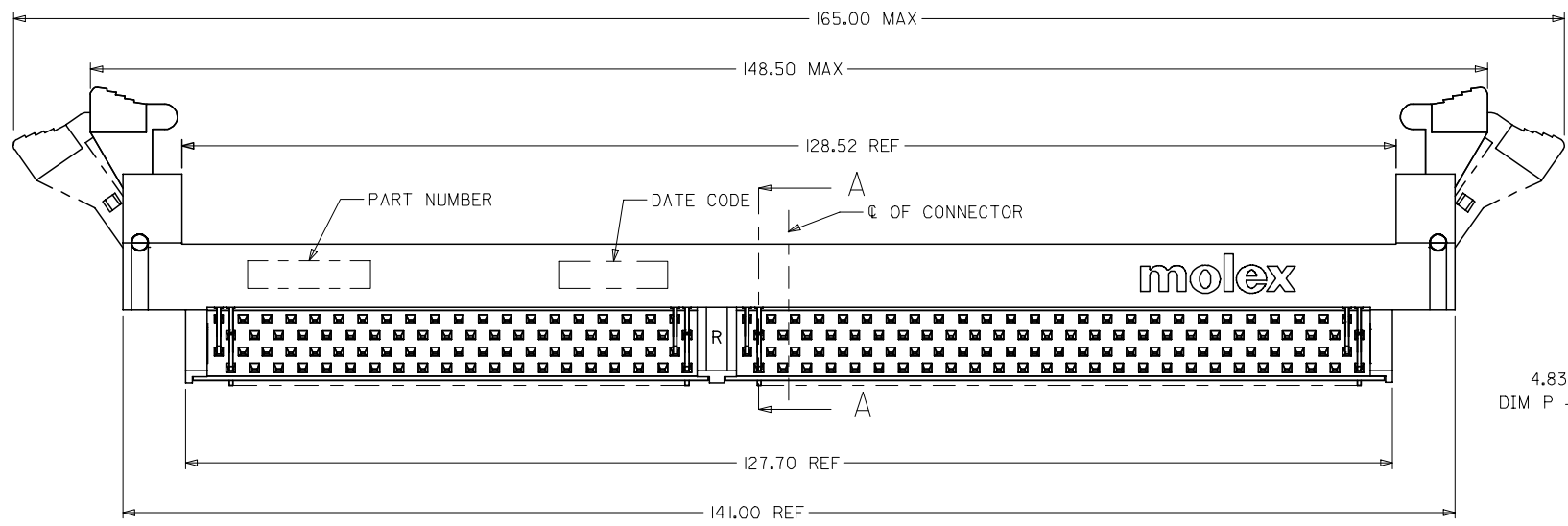
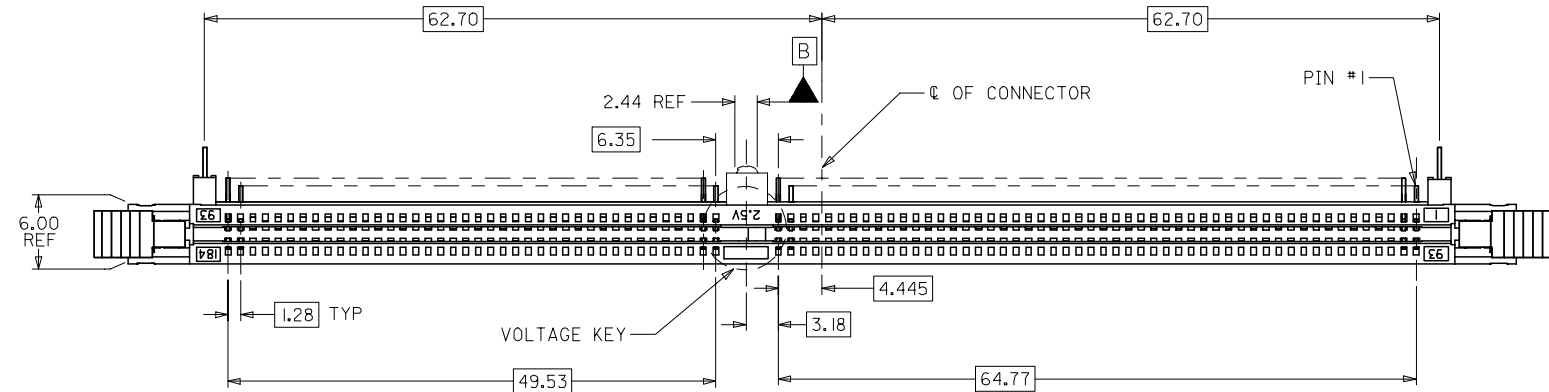


10 9 8 7 6 5 4 3 2 1



- NOTES:
- MATERIALS: HOUSING - LCP, GLASS FILLED, UL 94V-0, COLOR: BLACK
LATCHES - HIGH TEMP NYLON, GLASS FILLED, UL 94V-0
TERMINAL AND FORKLOCK - COPPER ALLOY
 - FINISHES: CONTACT AREA: SEE TABLE ON SHEET 5
SOLDERTAILS: 2.54um/100u" MIN. TIN
OVER 1.27um/50u" MIN NICKEL
 - PRODUCT SPECIFICATIONS: PS-87639-002 FOR PERFORMANCE SPECIFICATIONS.
 - DATE CODE SHALL BE MARKED LEGIBLY AS SHOWN: XX XX
YEAR WEEK
 - PART NUMBER SHALL BE MARKED LEGIBLY AS SHOWN: 87639-0XXX
REFER TO TABLE

OBS TIN/LEAD P/N	2006/02/27	QUALITY SYMBOLS	GENERAL TOLERANCES (UNLESS SPECIFIED)	DIMENSION STYLE		SCALE	DESIGN UNITS	THIRD ANGLE PROJECTION
	2006/02/28			MM ONLY	NTS			
EC NO: S2006-0746	2006/02/27	▽=0	4 PLACES ± --- ± ---	DRAWN BY	DATE	TITLE	DDR DIMM, 1.27MM PITCH	
DRWN:HLONG	2006/02/28	▽=0	3 PLACES ± --- ± ---	CHECKED BY	DATE		184 CKTS, 25 DEG REVERSE	
CHKD:HO	2006/02/28		2 PLACES ± 0.25 ± ---	DSOH	2000/07/07		1.91MM ROW TO ROW	
APPR:GJLEE	2006/02/28		1 PLACE ± --- ± ---	APPROVED BY	DATE		MOLEX INCORPORATED	
REV	DESCRIPTION		ANGULAR ± 5 °	SKTOH	2000/07/07		MOLEX INCORPORATED	
			DRAFT WHERE APPLICABLE MUST REMAIN WITHIN DIMENSIONS	MATERIAL NO.		DOCUMENT NO.	SD-87639-001	
				SIZE	A3		SHEET NO. 1 OF 5	

DRAWN BY		DATE	TITLE	
LPL IM		2000/05/31	DDR DIMM, 1.27MM PITCH	
CHECKED BY		DATE	184 CKTS, 25 DEG REVERSE	
DSOH		2000/07/07	1.91MM ROW TO ROW	
APPROVED BY		DATE	MOLEX INCORPORATED	
SKTOH		2000/07/07	MOLEX INCORPORATED	
MATERIAL NO.			DOCUMENT NO.	
SEE TABLE			SD-87639-001	
THIS DRAWING CONTAINS INFORMATION THAT IS PROPRIETARY TO MOLEX INCORPORATED AND SHOULD NOT BE USED WITHOUT WRITTEN PERMISSION			SHEET NO. 1 OF 5	

9 8 7 6 5 4 3 2 1

10 9 8 7 6 5 4 3 2 1

F

F

E

E

D

D

C

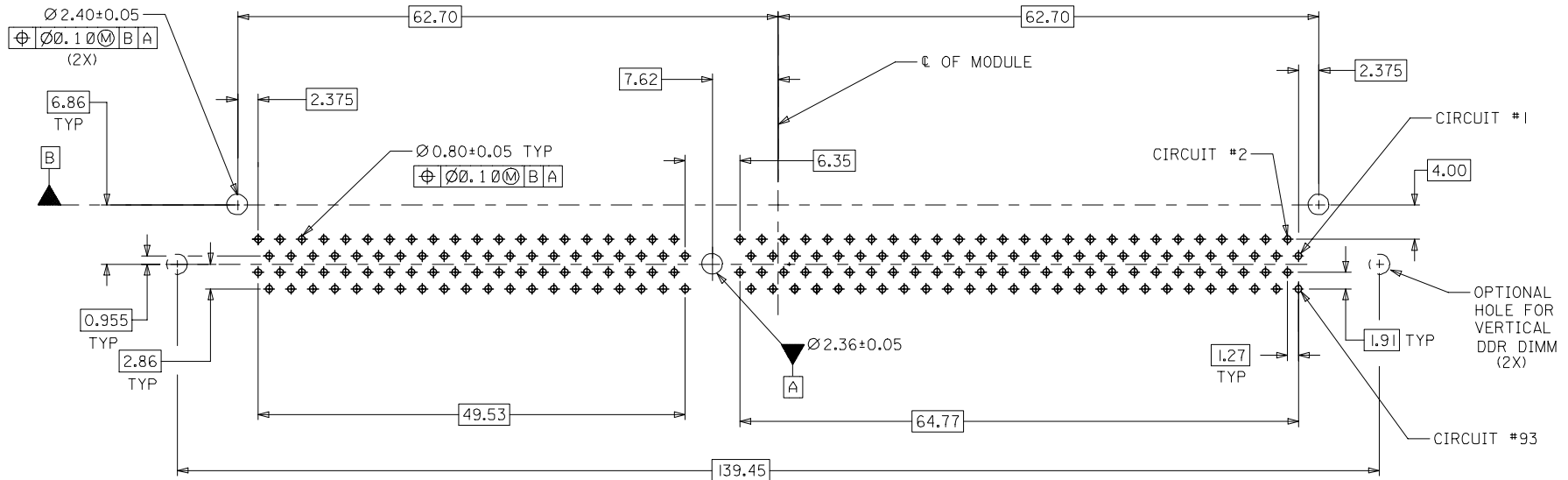
C

B

B

A

A



RECOMMENDED P.C. BOARD
HOLE PATTERN (CONNECTOR SIDE)

OBS TIN/LEAD P/N EC NO: S2006-0746 DRWN:MLONG CHKD:HO APPR:GJLEE	2006/02/27 2006/02/28 2006/02/28	QUALITY SYMBOLS ▽=0 ▽=0	GENERAL TOLERANCES (UNLESS SPECIFIED)		DIMENSION STYLE MM ONLY		SCALE NTS	DESIGN UNITS METRIC	THIRD ANGLE PROJECTION			
					mm	INCH	DRAWN BY LPLIM	DATE 2000/05/31	TITLE DDR DIMM, 1.27MM PITCH 184 CKTS, 25 DEG REVERSE 1.91MM ROW TO ROW			
			4 PLACES	± ---	± ---	CHECKED BY DSOH	DATE 2000/07/07					
			3 PLACES	± ---	± ---	APPROVED BY SKTOH	DATE 2000/07/07	MATERIAL NO.		DOCUMENT NO.		SHEET NO.
2 PLACES	± 0.25	± ---	DRAFT WHERE APPLICABLE MUST REMAIN WITHIN DIMENSIONS		SEE TABLE		SD-87639-001		4 OF 5			
1 PLACE	± ---	± ---					MOLEX INCORPORATED					
				ANGULAR ± 5 °								

9 8 7 6 5 4 3 2 1

10 9 8 7 6 5 4 3 2 1

MATERIAL NO.	VOLTAGE KEY	TAIL LENGTH P±0.25	RECOMMENDED PCB THICKNESS	FINISHES: CONTACT AREA
87639-1001	RIGHT (2.5V)	2.79	1.57	SELECTIVE GOLD 0.38µM/15µ" MIN. GOLD OVER 1.27µM/50µ" MIN. NICKEL
87639-1010		3.18		
87639-1011		3.56		
87639-1100		2.79		SELECTIVE GOLD 0.76µM/30µ" MIN. GOLD OVER 1.27µM/50µ" MIN. NICKEL
87639-1110		3.18		

F

F

E

E

D

D

C

C

B

B

A

A

OBS TIN/LEAD P/N EC NO: S2006-0746 DRWN:MLONG CHKD:HO APPR:GJLEE	2006/02/27 2006/02/28 2006/02/28	DESCRIPTION REV	QUALITY SYMBOLS	GENERAL TOLERANCES (UNLESS SPECIFIED)	DIMENSION STYLE		SCALE	DESIGN UNITS	THIRD ANGLE PROJECTION
			▽=0 ◻=0		mm	INCH	NTS	METRIC	
					4 PLACES ± ---	± ---	DRAWN BY DATE		
					3 PLACES ± ---	± ---	LPL IM 2000/05/31		
					2 PLACES ± 0.25	± ---	CHECKED BY DATE		
1 PLACE ± ---	± ---	DSOH 2000/07/07							
ANGULAR ± 5 °		APPROVED BY DATE		SKTOH 2000/07/07		TITLE		DDR DIMM, 1.27MM PITCH 184 CKTS, 25 DEG REVERSE 1.91MM ROW TO ROW	
DRAFT WHERE APPLICABLE MUST REMAIN WITHIN DIMENSIONS		MATERIAL NO.		DOCUMENT NO.		MOLEX MOLEX INCORPORATED			
		SIZE		SEE TABLE		SD-87639-001		SHEET NO.	
		A3		THIS DRAWING CONTAINS INFORMATION THAT IS PROPRIETARY TO MOLEX INCORPORATED AND SHOULD NOT BE USED WITHOUT WRITTEN PERMISSION					
								5 OF 5	

9 8 7 6 5 4 3 2 1