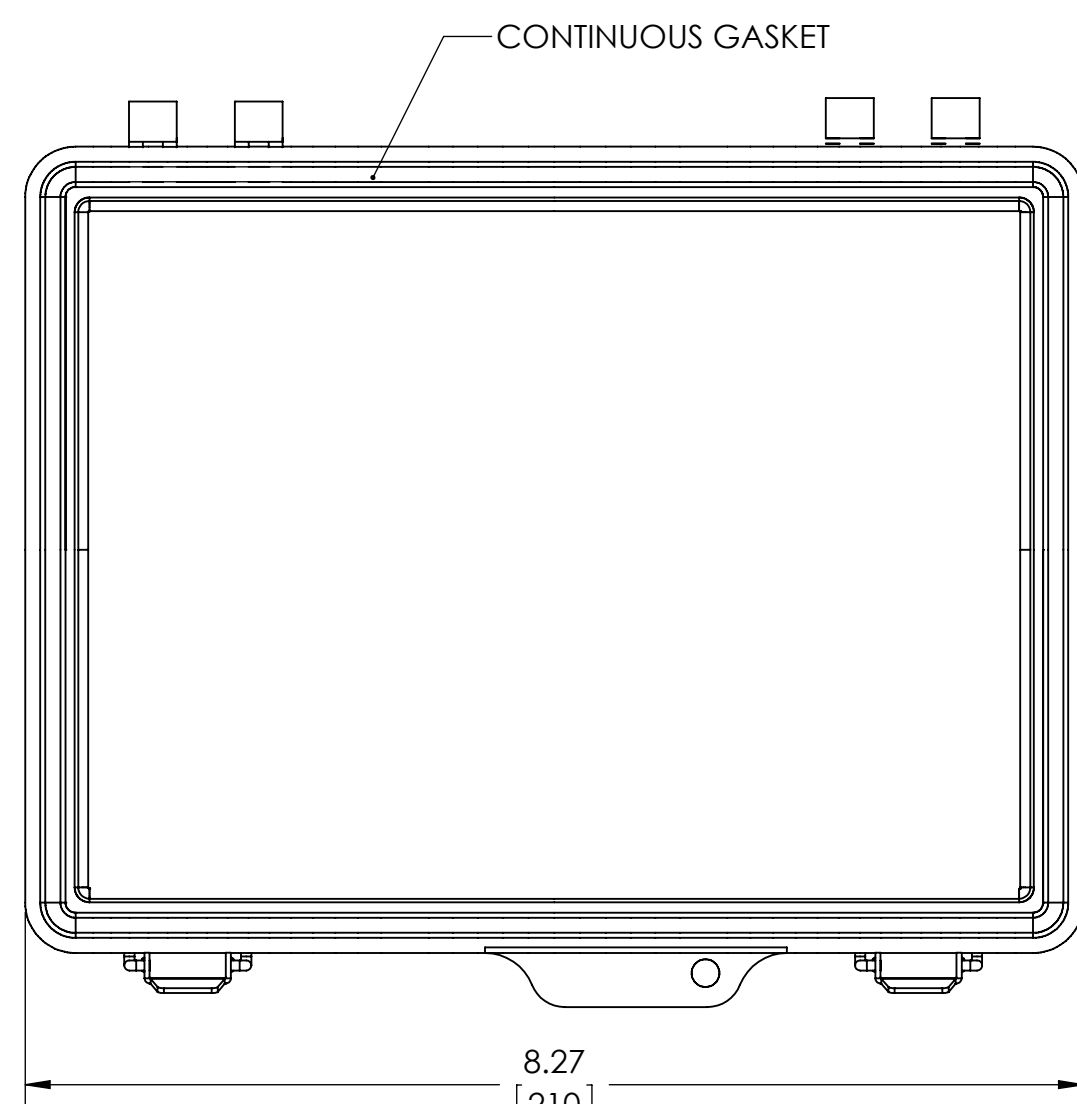
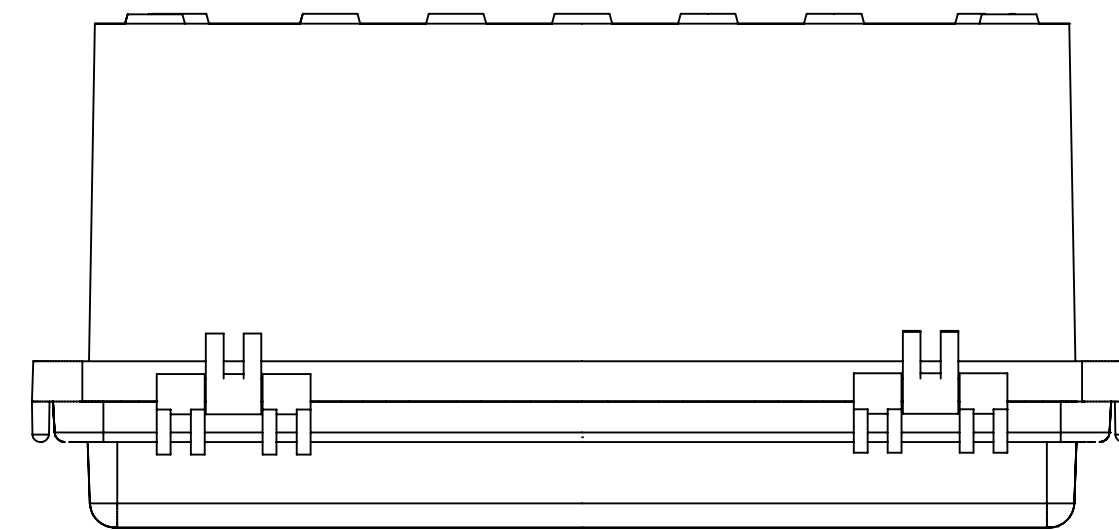
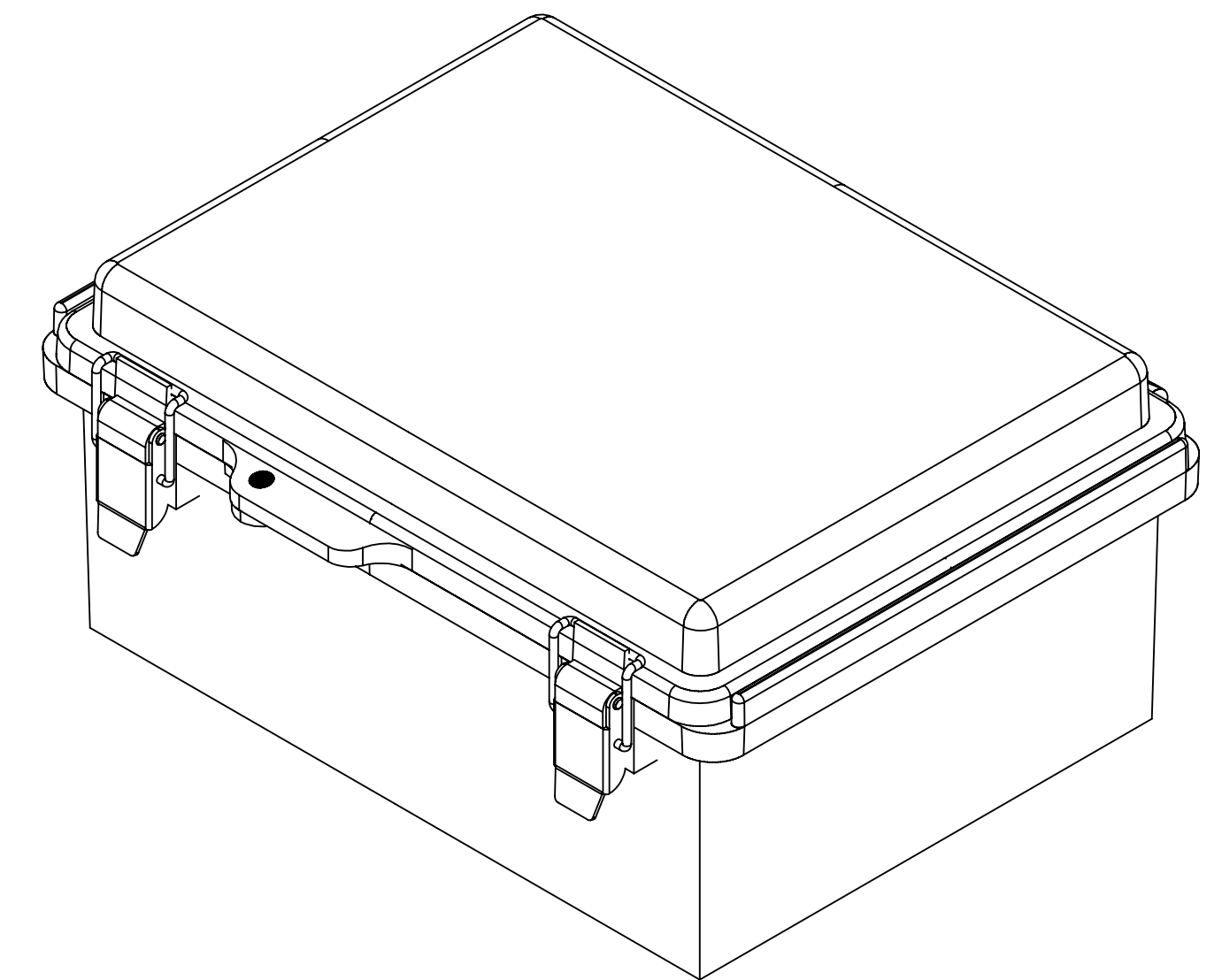
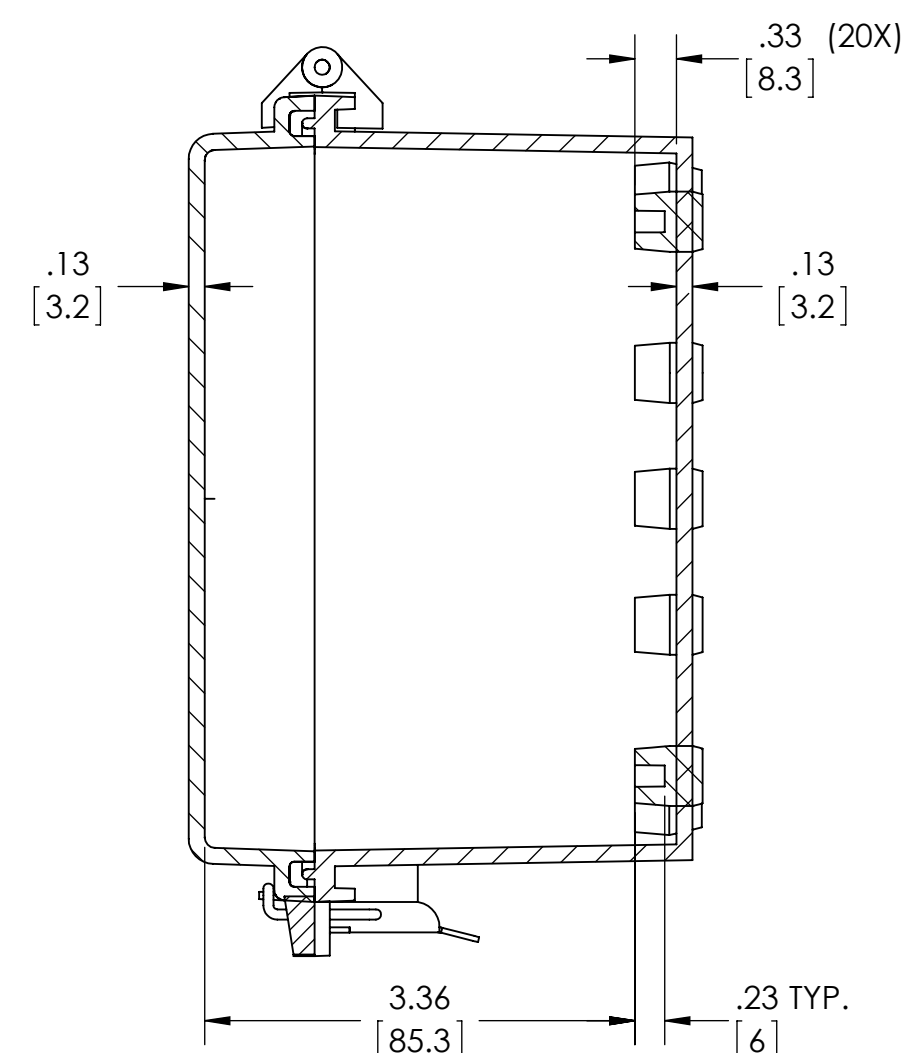
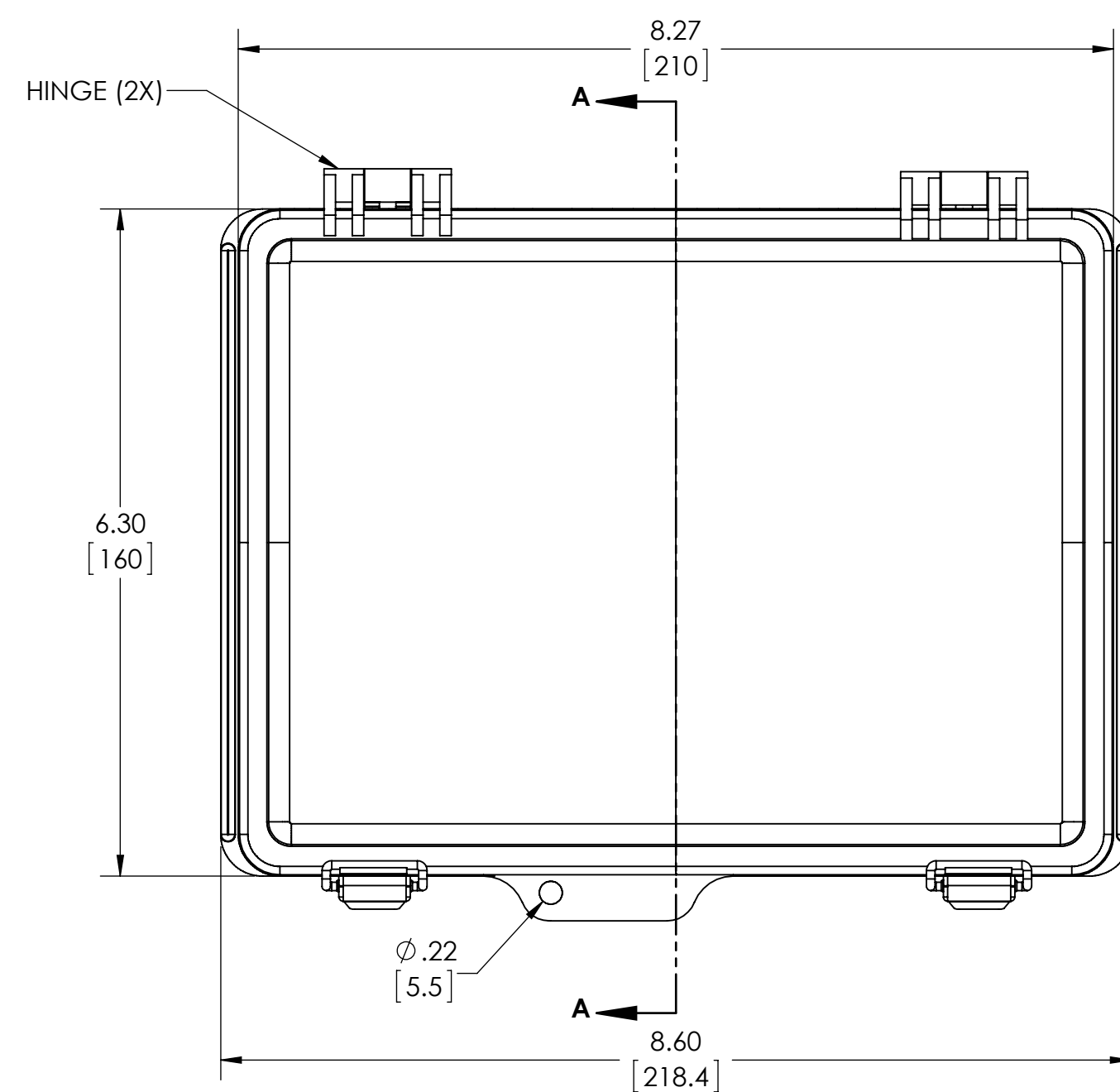


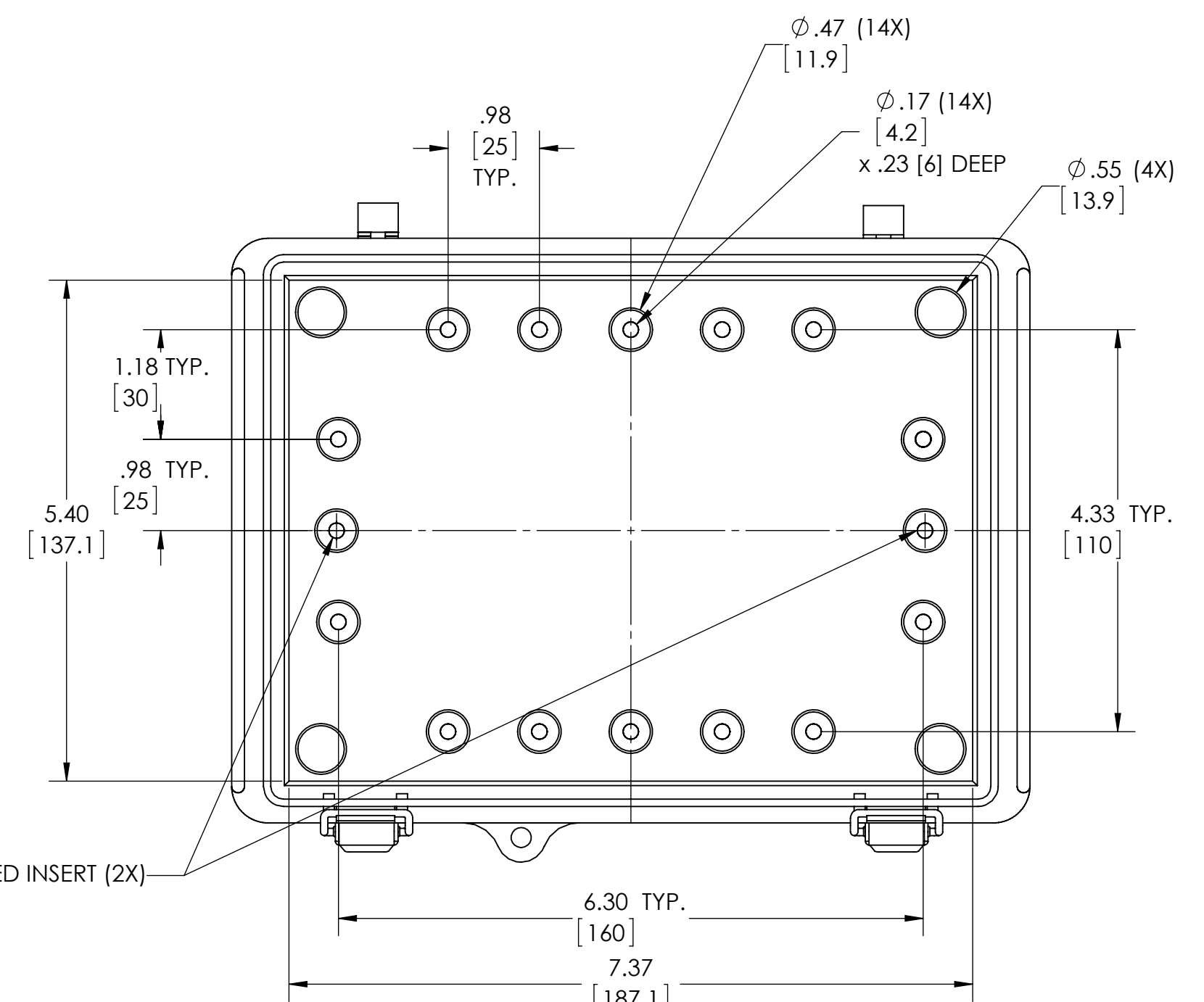
BOTTOM VIEW



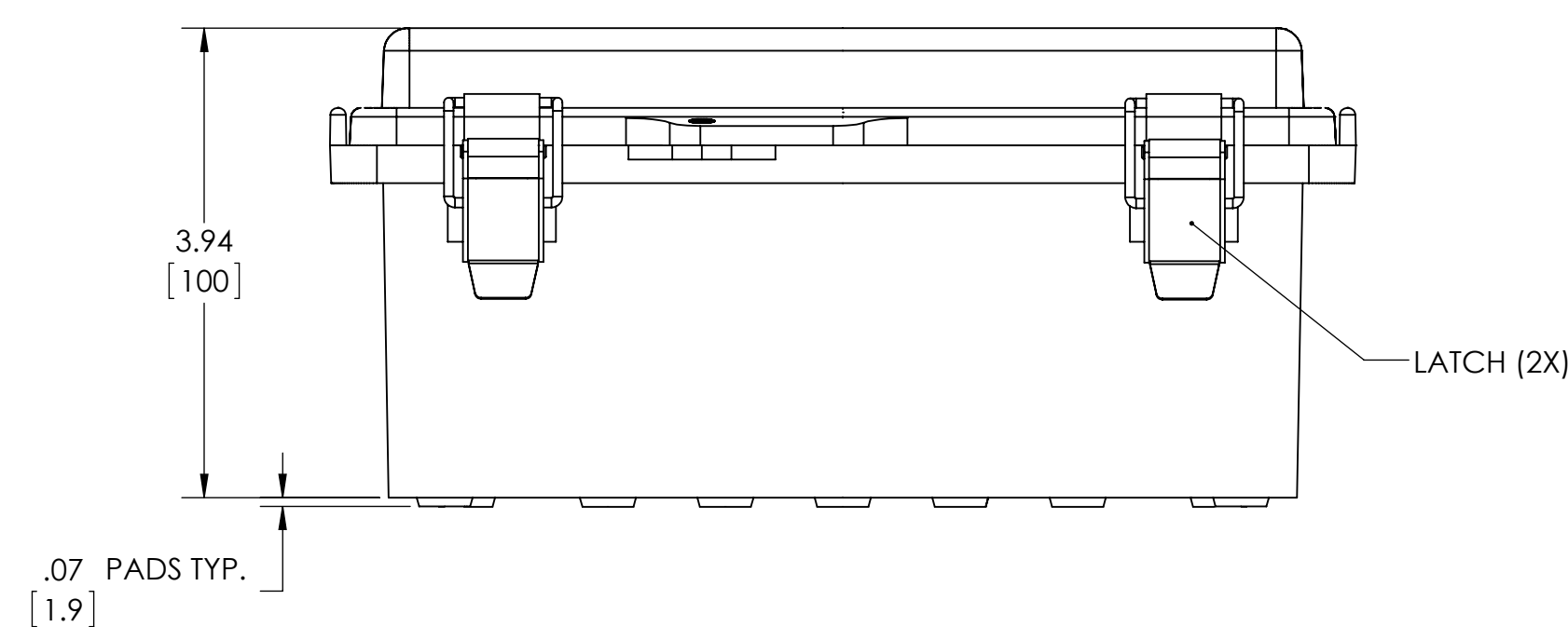
INSIDE VIEW OF COVER



SECTION A-A
SCALE 1 : 1.5



INSIDE VIEW OF BODY



- NOTES:
- 1- MATERIAL: BODY - POLYCARBONATE 10% FIBERGLASS REINFORCED
COVER - POLYCARBONATE
UL508 /NEMA TYPE 4X WITH IP-67 TUV RATING & UL-94V0 RATING
 - 2- FINISH: BODY - LIGHT GRAY
COVER - LIGHT GRAY OR CLEAR (-C)
 - 3- ALL HOLE DIAMETERS HAVE +/- .005(0.13) TOLERANCE
ALL OTHER DIMENSIONS HAVE +/- 0.03(0.76) TOLERANCE UNLESS OTHERWISE SPECIFIED
 - 4- CONTINUOUS GASKET IN COVER
 - 5- SUPPLIED WITH TWO M4 x 8mm LG. TRUSS HEAD MACHINE SCREWS
 - 6- DIMENSIONS ARE INCH [MM]
 - 7- DRAWING FOR REFERENCE
 - 8- OPTIONAL ACCESSORIES:
INTERNAL STEEL PANEL - #PTX-11048
INTERNAL PLASTIC PANEL - #PTX-11048-P
MOUNTING BRACKET KIT (STAINLESS STEEL) - #NBX-10920
MOUNTING BRACKET KIT (PLASTIC) - #PIX-4117