



Is Now A Part Of



Visit www.maxlinear.com
for more information about
MaxLinear Inc.





FEATURES

- 5.0V and 3.3V Versions at 100mA Output
- Very Low Quiescent Current
- Low Dropout Voltage: 380mV at 100mA
- Extremely Tight Load and Line Regulation
- Very Low Temperature Coefficient
- Current & Thermal Limiting
- Need Only 1 μ F for Stability
- Offered in Lead Free, RoHS Compliant Packages:
TO-92 (LP2950) & SOIC (LP2951)
- Direct Replacement For LP2950/LP2951

LP2951 versions only

- Error Flag Warns of Output Dropout
- Logic-Controlled Electronic Shutdown
- Output Programmable From 1.24 to 29V

APPLICATIONS

- Battery Powered Systems
- Cordless Telephones
- Radio Control Systems
- Portable/Palm Top/Notebook Computers
- Portable Consumer Equipment
- Portable Instrumentation
- Avionics
- SMPS Post-Regulator
- Voltage Reference
- Automotive Electronics

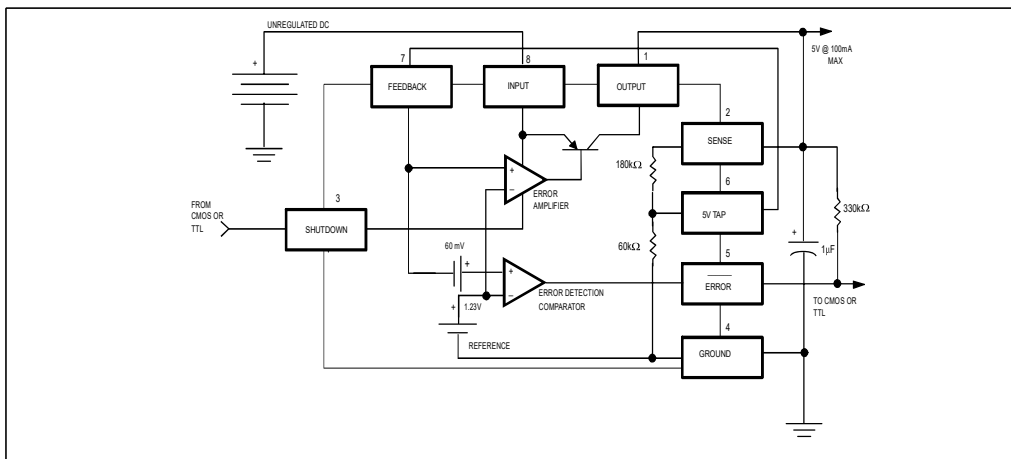
Now Available in Lead Free Packaging

PRODUCT DESCRIPTION

The LP2950 and LP2951 are low power voltage regulators. These devices are an excellent choice for use in battery-powered applications such as cordless telephones, radio control systems, and portable computers. The LP2950 and LP2951 feature low quiescent current and low dropout voltage (typ. 50mV at light load and 380 mV at 100mA). This includes a tight initial tolerance (0.5% typ.), extremely good load and line regulation (0.05% typ.), and very low output temperature coefficient (20 ppm/ $^{\circ}$ C typ.), making the LP2950/LP2951 useful as a low-power voltage reference.

The error flag output feature is used as a power-on reset for warning of a low output voltage, due to a falling input voltage. The logic-compatible shutdown feature enables the regulator to be switched ON and OFF. The LP2950 is offered in a 3-pin TO-92 package compatible with other 5V, 3.3V regulators. The LP2951 is available in an 8-lead SOIC package.

Block diagram of LP2951



LP2950/51

ABSOLUTE MAXIMUM RATINGS

| | |
|--|---|
| Power Dissipation.....Internally Limited | Feedback Input Voltage.....-1.5V to +30V |
| Lead Temp. (Soldering, 5 Seconds).....260°C | Shutdown Input Voltage.....-0.3V to +30V |
| Storage Temperature Range.....-65° to +150°C | Error Comparator Output.....-0.3V to +30V |
| Operating Junction Temperature Range -40C to +125C | ESD Rating2kV Min |
| Input Supply Voltage.....-0.3V to +30V | |

ELECTRICAL CHARACTERISTICS $V_{IN}=6V$, $I_O=100\mu A$, $C_{OUT}=1\mu F$ (Note 2) $T_A=25C$, unless otherwise noted

| PARAMETER | CONDITIONS | LP2950AC LP2951AC | | | LP2950C LP2951C | | | UNITS |
|--|--|----------------------|-------|-------|--------------------|-------|-------|-------------|
| | | Min. | Typ. | Max. | Min. | Typ. | Max. | |
| 3.3 V Versions | | | | | | | | |
| Output Voltage | $T_J = 25^\circ C$ | 3.284 | 3.3 | 3.317 | 3.267 | 3.3 | 3.333 | V |
| | $-25^\circ C \leq T_J \leq 85^\circ C$ | 3.267 | 3.3 | 3.333 | 3.251 | 3.3 | 3.350 | |
| | Full Operating Temperature | 3.260 | 3.3 | 3.340 | 3.234 | 3.3 | 3.366 | |
| Output Voltage | $100\mu A \leq I_L \leq 100\text{ mA}$ $T_J \leq T_{MAX}$ | 3.254 | 3.3 | 3.346 | 3.221 | 3.3 | 3.379 | V |
| 5 V Versions | | | | | | | | |
| Output Voltage | $T_J = 25^\circ C$ | 4.975 | 5.0 | 5.025 | 4.950 | 5.0 | 5.050 | V |
| | $-25^\circ C \leq T_J \leq 85^\circ C$ | 4.950 | 5.0 | 5.050 | 4.925 | 5.0 | 5.075 | |
| | Full Operating Temperature | 4.940 | 5.0 | 5.060 | 4.900 | 5.0 | 5.100 | |
| Output Voltage | $100\mu A \leq I_L \leq 100\text{ mA}$ $T_J \leq T_{MAX}$ | 4.925 | 5.0 | 5.075 | 4.880 | 5.0 | 5.120 | V |
| All Voltage Options | | | | | | | | |
| Output Voltage Temperature Coefficient | (Note 1) | | 20 | 120 | | 50 | 150 | ppm/°C |
| Line Regulation (Note 3) | $6V \leq V_{IN} \leq 30V$ (Note 4) | | 0.03 | 0.1 | | 0.04 | 0.2 | % |
| Load Regulation (Note 3) | $100\mu A \leq I_L \leq 100\text{ mA}$ | | 0.04 | 0.1 | | 0.1 | 0.2 | % |
| Dropout Voltage (Note 5) | $I_L = 100\mu A$ | | 50 | 80 | | 50 | 80 | mV |
| | $I_L = 100\text{ mA}$ | | 380 | 450 | | 380 | 450 | mV |
| Ground Current | $I_L = 100\mu A$ | | 150 | 170 | | 150 | 170 | μA |
| | $I_L = 100\text{ mA}$ | | 8 | 12 | | 8 | 12 | mA |
| Current Limit | $V_{OUT} = 0$ | | 150 | 200 | | 150 | 200 | mA |
| Thermal Regulation | | | 0.05 | 0.2 | | 0.05 | 0.2 | %/W |
| Output Noise, 10Hz to 100KHz | $C_L = 1\mu F$ | | 430 | | | 430 | | μV rms |
| | $C_L = 200\mu F$ | | 160 | | | 160 | | μV rms |
| | $C_L = 3.3\mu F$, Bypass = $0.01\mu F$ from Pin 7 to Pin 1 (LP2951) | | 100 | | | 100 | | μV rms |
| 8-Pin Versions only | | LP2951AC | | | LP2951C | | | |
| Reference Voltage | | 1.220 | 1.235 | 1.250 | 1.210 | 1.235 | 1.260 | V |
| Reference Voltage | Over Temperature (Note 6) | 1.190 | | 1.270 | 1.185 | | 1.285 | V |
| Feedback Pin Bias Current | | | 40 | 60 | | 40 | 60 | nA |

LP2950/51

| PARAMETER | CONDITIONS (Note 2) | LP2951AC | | | LP2951C | | | UNITS | |
|---|--|----------|-------|------|---------|------|------|--------|---|
| | | Min. | Typ. | Max. | Min. | Typ. | Max. | | |
| 8-Pin Versions only (Continued) | | | | | | | | | |
| Reference Voltage Temperature Coefficient | | | 20 | | | 50 | | ppm/°C | |
| Feedback Pin Bias Current Temperature Coefficient | | | 0.1 | | | 0.1 | | nA/°C | |
| Error Comparator | | | | | | | | | |
| Output Leakage Current | $V_{OH} = 30V$ | | 0.01 | 1 | | 0.01 | 1 | μA | |
| Output Low Voltage | $V_{IN} = 4.5V$ $I_{OL} = 400 \mu A$ | | 150 | 250 | | 150 | 250 | mV | |
| Upper Threshold Voltage | (Note 7) | 40 | 60 | | 40 | 60 | | mV | |
| Lower Threshold Voltage | (Note 7) | | 75 | 95 | | 75 | 95 | mV | |
| Hysteresis | (Note 7) | | 15 | | | 15 | | mV | |
| Shutdown Input | | | | | | | | | |
| Input logic Voltage | Low (Regulator ON) High (Regulator OFF) | 2.0 | 1.3 | 0.7 | | 2.0 | 1.3 | 0.7 | V |
| Shut down Pin Input Current | $V_S = 2.4V$ | | 30 | 50 | | 30 | 50 | μA | |
| | $V_S = 30V$ | | 675 | 800 | | 675 | 800 | μA | |
| Regulator Output Current in Shutdown | (Note 8) | | 3 | 10 | | 3 | 10 | μA | |
| Thermal Resistance θ_{JA} | 8 Pin SOIC | | 128.4 | | | | | °C/W | |
| | 3 Pin TO-92 | | 131.9 | | | | | °C/W | |

Note 1: Output or reference voltage temperature coefficients defined as the worst case voltage change divided by the total temperature range.

Note 2: Unless otherwise specified all limits guaranteed for $T_J = 25^\circ C$, $V_{IN} = 6V$, $I_L = 100 \mu A$ and $C_L = 1 \mu F$. Additional conditions for the 8-pin versions are feedback tied to 5V tap and output tied to output sense ($V_{OUT} = 5V$) and $V_{SHUTDOWN} \leq 0.8V$.

Note 3: Regulation is measured at constant junction temperature, using pulse testing with a low duty cycle. Changes in output voltage due to heating effects are covered under the specification for thermal regulation.

Note 4: Line regulation for the LP2951 is tested at $I_L = 1mA$. For $I_L = 100 \mu A$ and $T_J = 125^\circ C$, line regulation is guaranteed by design to 0.2%. See typical performance characteristics for line regulation versus temperature and load current.

Note 5: Dropout voltage is defined as the input to output differential at which the output voltage drops 100 mV below its nominal value measured at 1V differential. At very low values of programmed output voltage, the minimum input supply voltage of 2V (2.3V over temperature) must be taken into account.

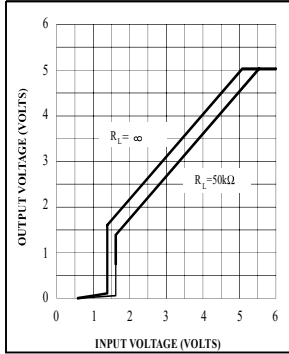
Note 6: $V_{REF} \leq V_{OUT} \leq (V_{IN} - 1V)$, $2.3 \leq V_{IN} \leq 30V$, $100 \mu A \leq I_L \leq 100mA$, $T_J \leq T_{JMAX}$.

Note 7: Comparator thresholds are expressed in terms of a voltage differential at the feedback terminal below the nominal reference voltage measured at 6V input. To express these thresholds in terms of output voltage change, multiply by the error amplifier gain $= V_{OUT}/V_{REF} = (R_1 + R_2)/R_3$. For example, at a programmed output voltage of 5V, the error output is guaranteed to go low when the output drops by $95 mV \times 5V/1.235 = 384 mV$. Thresholds remain constant as a percent of V_{OUT} as V_{OUT} is varied, with the dropout warning occurring at typically 5% below nominal, 7.5% guaranteed.

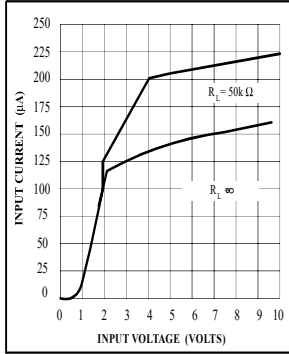
Note 8: $V_{SHUTDOWN} \geq 2V$, $V_{IN} \leq 30V$, $V_{OUT} = 0$. Feedback pin tied to 5V Tap.

Note 9: All typical values are not guaranteed. The value could vary from lot to lot.

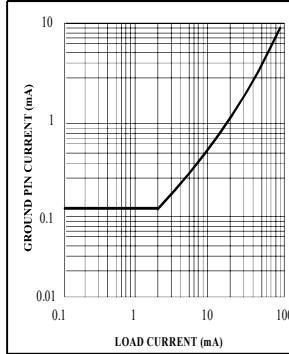
TYPICAL PERFORMANCE CHARACTERISTIC



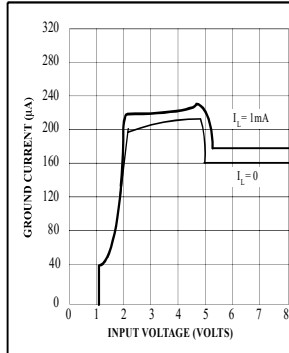
Dropout Characteristics



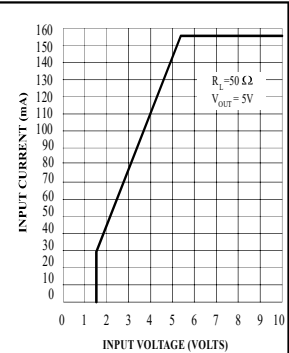
Input Current



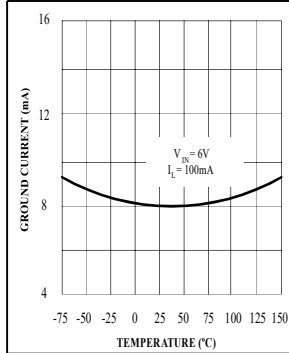
Quiescent Current



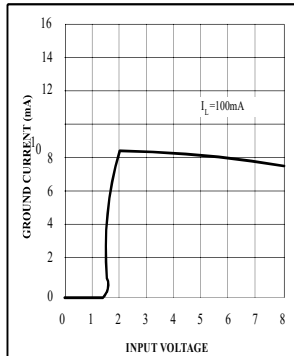
Ground Current



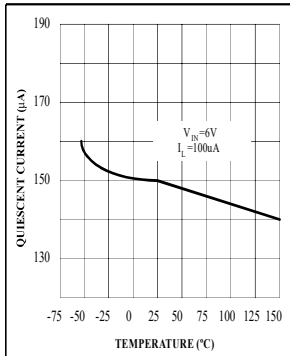
Input Current



Ground Current

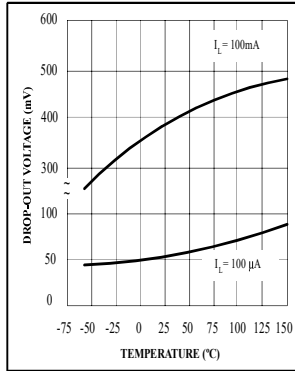


Ground Current

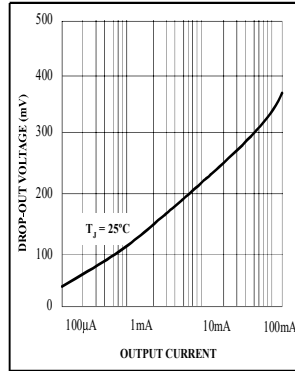


Quiescent Current

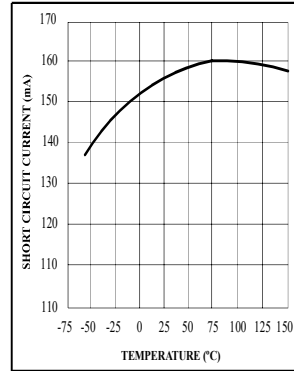
TYPICAL PERFORMANCE CHARACTERISTICS (continued)



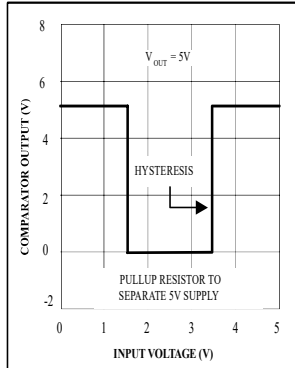
Drop-Out Voltage



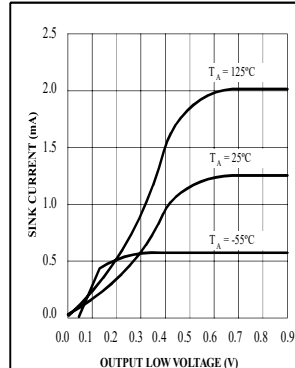
Drop-Out Voltage



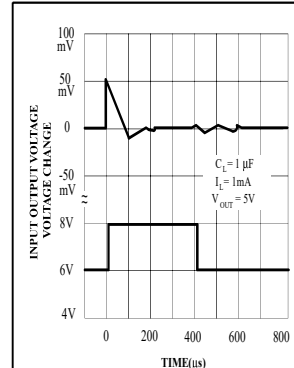
Short Circuit Current



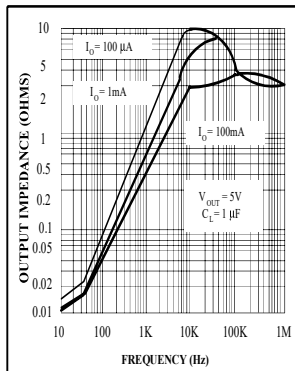
Error Comparator Output



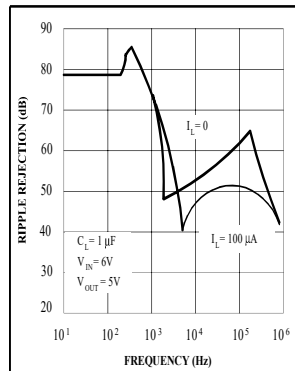
LP2951 Comparator Sink Current



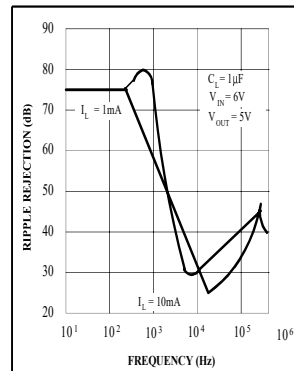
Line Transient Response



Output Impedance



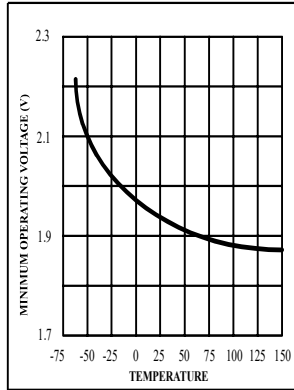
Ripple Rejection



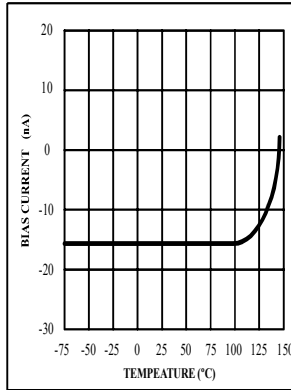
Ripple Rejection

LP2950/LP2951

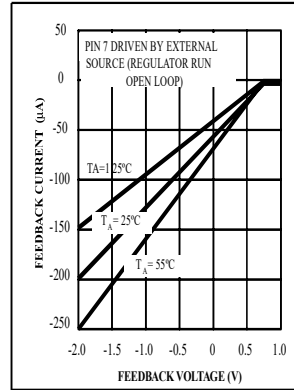
TYPICAL PERFORMANCE CHARACTERISTICS (continued)



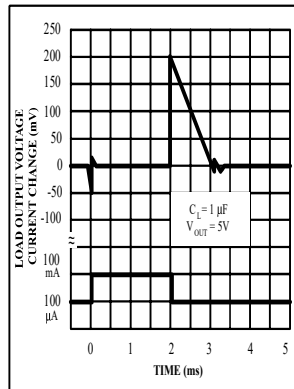
LP2951 Minimum Operating Voltage



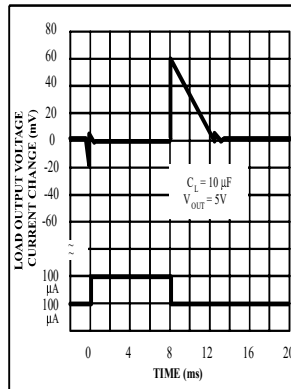
LP2951 Feedback Bias Current



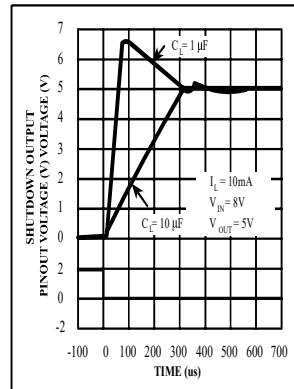
LP2951 Feedback Pin Current



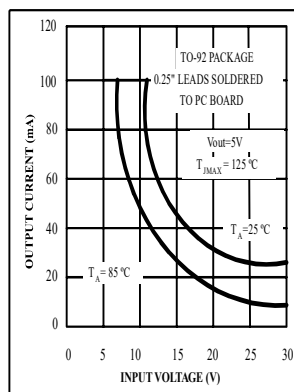
Load Transient Response



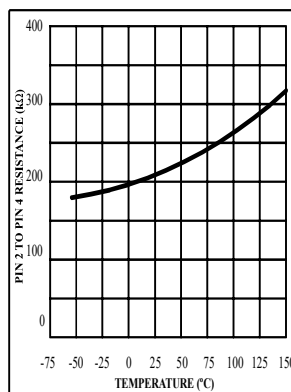
Load Transient Response



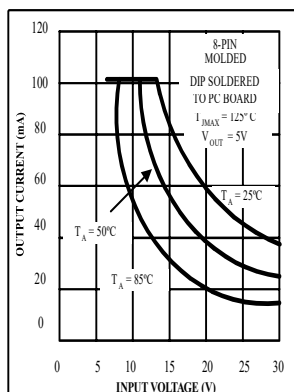
Enable Transient



LP2950 Maximum Rated Output

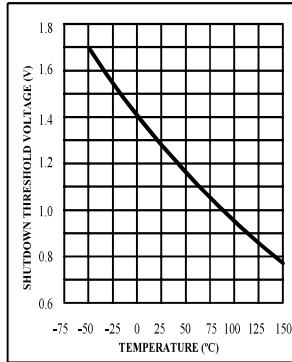


LP2951 Divider Resistance

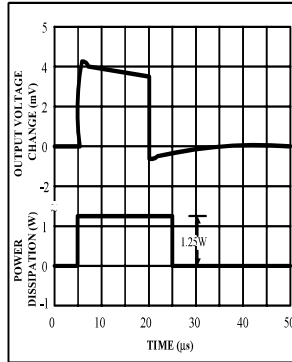


LP2950 Maximum Rated Output Current

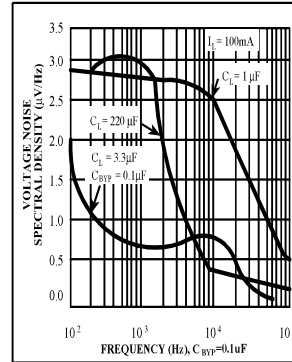
TYPICAL APPLICATIONS



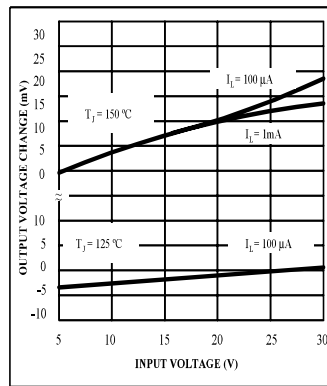
Shutdown Threshold Voltage



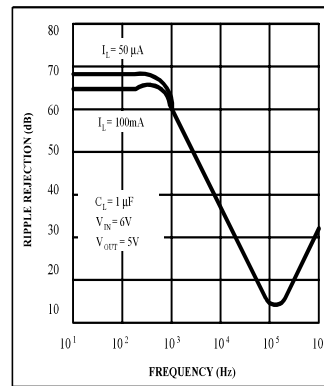
Thermal Response



Output Noise



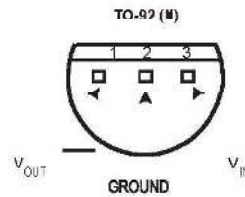
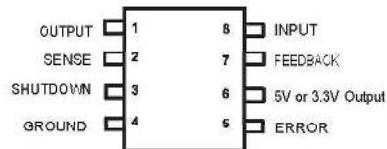
Line Regulation



Ripple Rejection

BLOCK DIAGRAM

8-Pin Surface Mount (S)



APPLICATION HINTS

EXTERNAL CAPACITORS

The stability of the LP2950/LP2951 requires a 1.0μF or greater capacitor between output and ground. Oscillation could occur without this capacitor. Most types of tantalum or aluminum electrolytic works fine here. For operations below -25°C solid tantalum is recommended since the many aluminum types have electrolytes that freeze at about -30°C. The ESR of about 5Ω or less and resonant frequency above 500kHz are the most important parameters in the value of the capacitor. The capacitors value may be increased without limit.

At lower values of output current, less output capacitance is required for stability. For the currents below 10mA the value of the capacitor can be reduced to 0.33μF and 0.1μF for 1mA. More output capacitance is needed for the 8-pin version at voltages below 5V since it runs the error amplifier at lower gain. At worst case 3.3 μF or greater must be used for the condition of 100mA load at 1.23V output.

The LP2950/51 unlike other low dropout regulators will remain stable and in regulation with no load in addition to the internal voltage divider. This feature is especially important in applications like CMOS RAM keep-alive. When setting the output voltage of the LP2950/51 version with external resistors, a minimum load of 1μA is recommended

If there is more than 10 inches of wire between the input and the AC filter capacitor or if a battery is used as the input then a 1μA tantalum or aluminum electrolytic capacitor should be placed from the input to the ground.

Instability can occur if there is stray capacitance to the LP2951 feedback terminal (pin 7). This could cause more problems when using a higher value of external resistors to set the output voltage. This problem can be fixed by adding a 100pF capacitor between output and feedback and increasing the output capacitor to at least 3.3 μF.

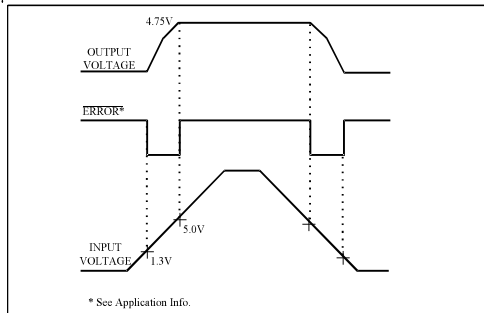


Figure 1. ERROR Output Timing

ERROR DETECTION COMPARATOR OUTPUT

The Comparator produces a logic low output whenever the LP2951 output falls out of regulation by more than around 5%. This is around 60 mV offset divided by the 1.235 reference voltage. This trip level

remains 5% below normal regardless of the programmed output voltage of the regulator.

Figure 1 shows the timing diagram depicting the ERROR signal and the regulator output voltage as the LP2951 input is ramped up and down. The ERROR signal becomes low at around 1.3V input, and goes high around 5V input (input voltage at which $V_{OUT} = 4.75$).

Since the LP2951's dropout voltage is load dependent, the input voltage trip point (around 5V) will vary with the load current. The output voltage trip point (approx. 4.75V) does not vary with load.

The error comparator has an open-collector output, which requires an external pull-up resistor. Depending on the system requirements the resistor may be returned to 5V output or other supply voltage. In determining the value of this resistor, note that the output is rated to sink 400μA, this value adds to battery drain in a low battery condition. Suggested values range from 100K to 1MΩ. If the output is unused this resistor is not required.

PROGRAMMING THE OUTPUT VOLTAGE OF LP2951

The LP2951 may be pin-strapped for 5V using its internal voltage divider by tying Pin 1 (output) to Pin 2 (sense) and Pin 7 (feedback) to Pin 6 (5V Tap). Also, it may be programmed for any output voltage between its 1.235V reference and its 29V maximum rating. As seen in Figure 2, an external pair of resistors is required. Refer to the below equation for the programming of the output voltage:

$$V_{OUT} = V_{REF} \times (1 + R_1/R_2) + I_{FB}R_1$$

The V_{REF} is 1.235 and I_{FB} is the feedback bias current, nominally -20nA. The minimum recommended load current of 1 μA forces an upper limit of 1.2MΩ on value of R_2 . If no load is presented the I_{FB} produces an error of typically 2% in V_{OUT} which may be eliminated at room temperature by trimming R_1 . To improve the accuracy choose the value of $R_2 = 100k$ this reduces the error by 0.17% and increases the resistor program current by 12μA. Since the LP2951 typically draws 60μA at no load with Pin 2 open-circuited this is a small price to pay

REDUCING OUTPUT NOISE

It may be an advantage to reduce the AC noise present at the output. One way is to reduce the regulator bandwidth by increasing the size of the output capacitor. This is the only way that noise can be reduced on the 3 lead LP2950 but is relatively inefficient, as increasing the capacitor from 1μF to 220 μF only decreases the noise from 430μV to 160μV_{RMS} for a 100kHz bandwidth at 5V output. Noise could also be reduced fourfold by a bypass capacitor across R_1 , since it reduces the high frequency gain from 4 to unity. Pick

$$C_{BYPASS} \cong 1 / 2 \pi R_1 \times 200 \text{ Hz}$$

or choose 0.01μF. When doing this, the output capacitor must be increased to 3.3μF to maintain stability. These changes reduce the output noise from 430μV to 100μV_{RMS} for a 100kHz bandwidth at 5V output. With the bypass capacitor added, noise no longer scales with output voltage so that improvements are more dramatic at higher output voltages.

LP2950/LP2951

TYPICAL APPLICATIONS

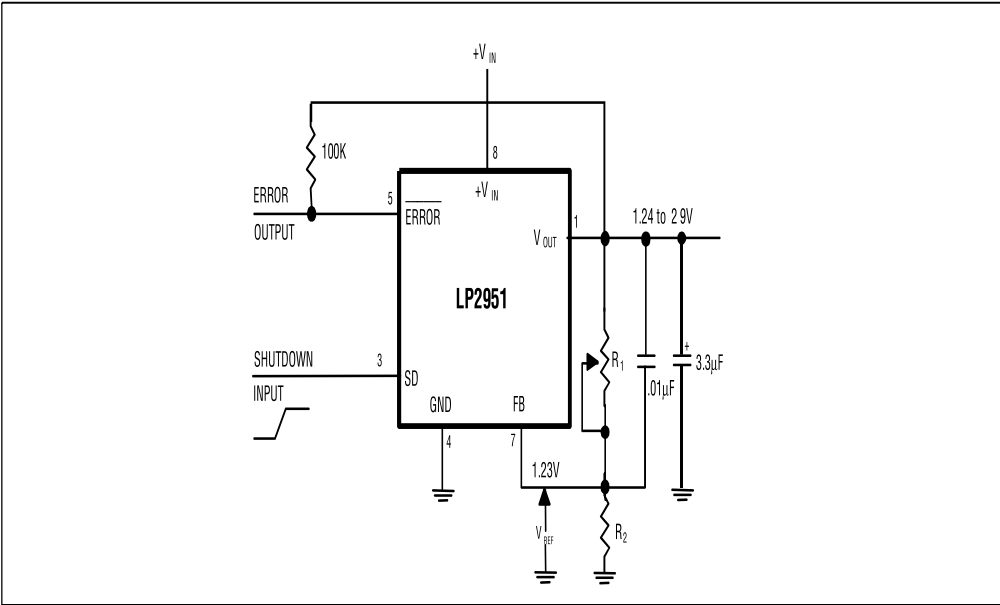


Figure 2. Adjustable Regulator

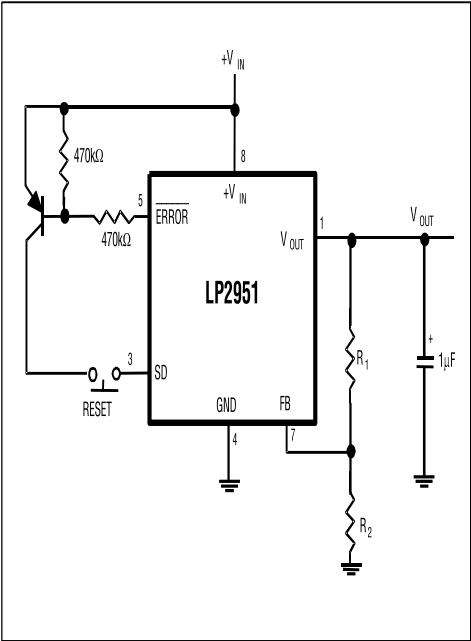


Figure 3. Latch Off When Error Flag Occurs

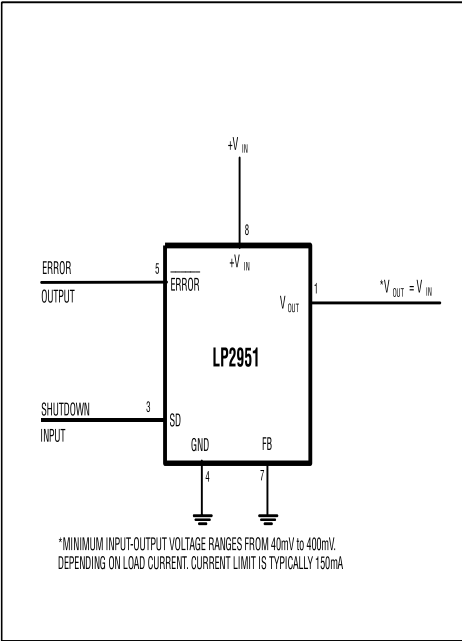


Figure 4. Wide Input voltage Range Current Limiter

LP2950/LP2951

TYPICAL APPLICATIONS (continued)

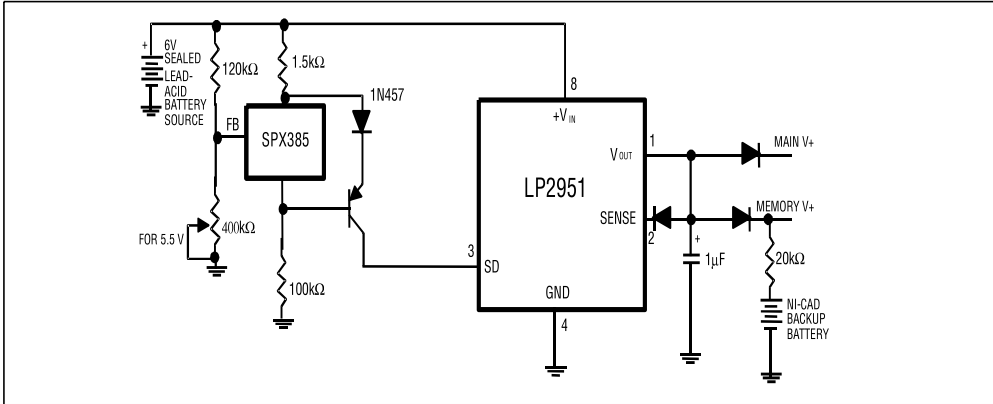


Figure 5. Low Battery disconnect

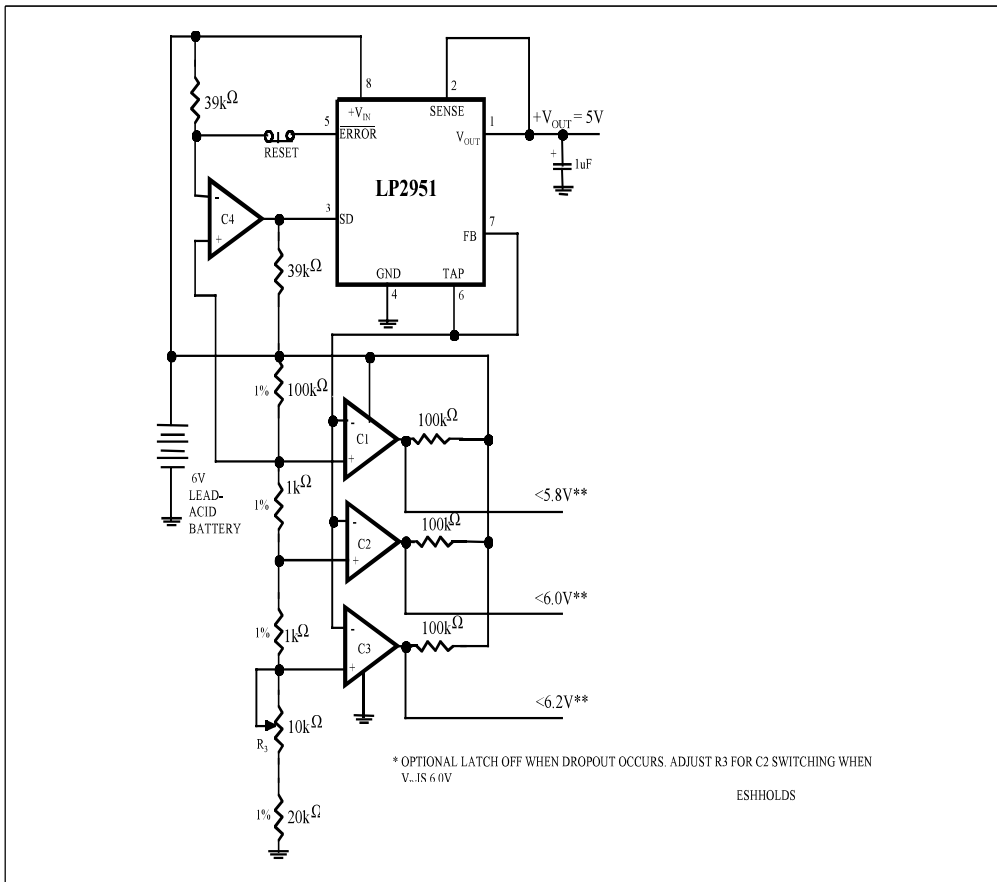


Figure 6. Regulator with State-of-Charge Indicator

TYPICAL APPLICATIONS (continued)

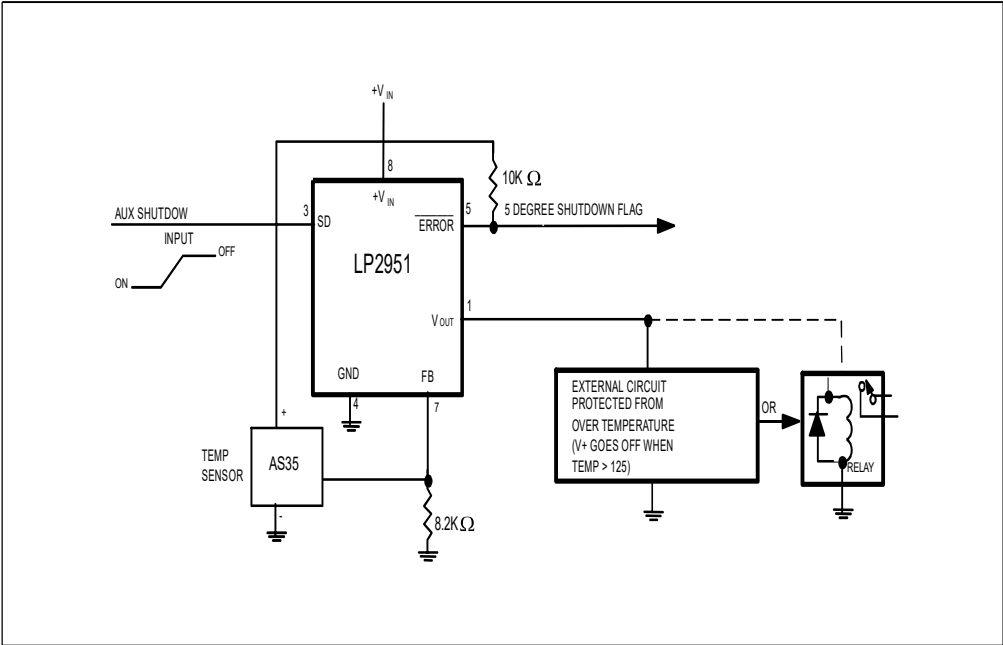


Figure 7. System Over Temperature Protection

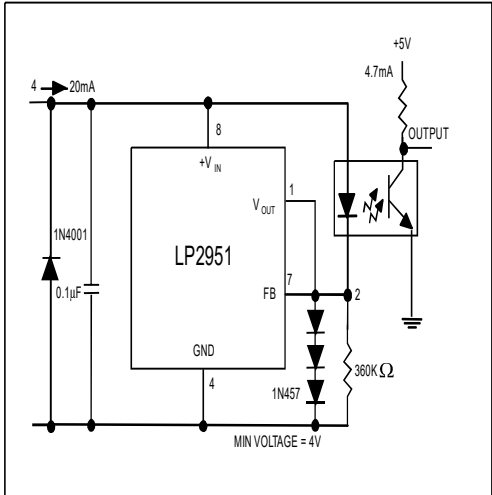


Figure 8. Open Circuit Detector for 4mA to 20mA Current Loop

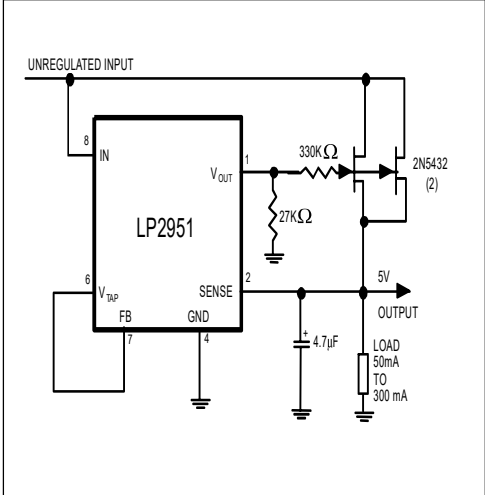
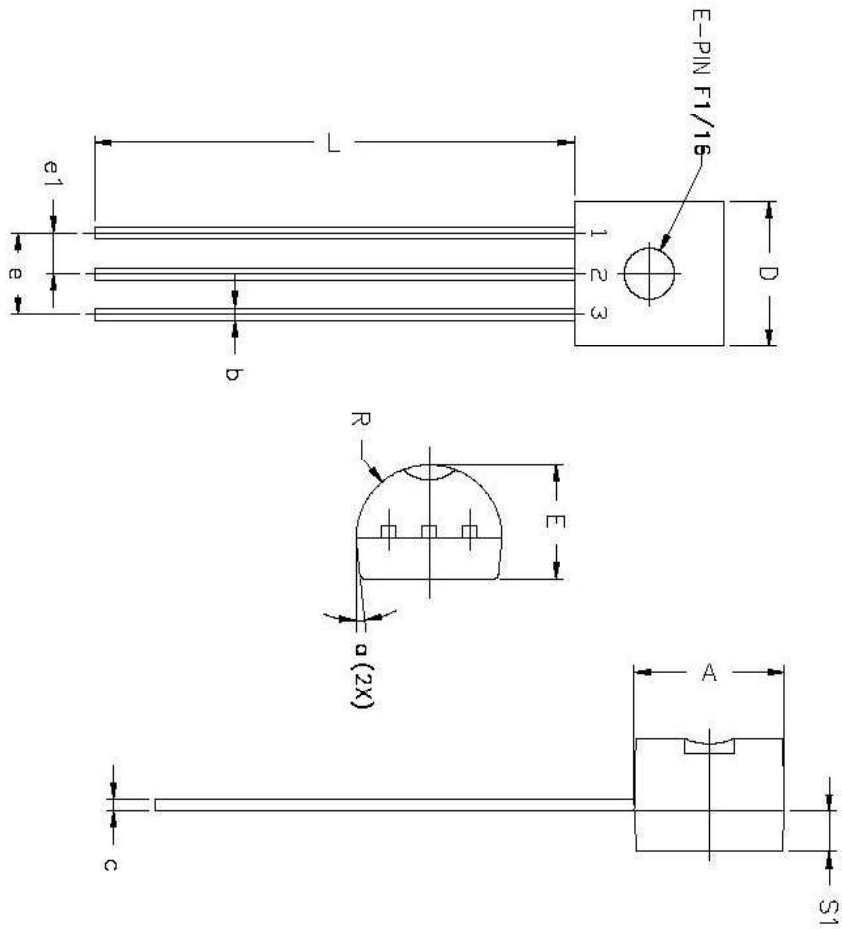


Figure 9. 300mA Regulator with 0.75V

PACKAGE: 3 PIN TO-92



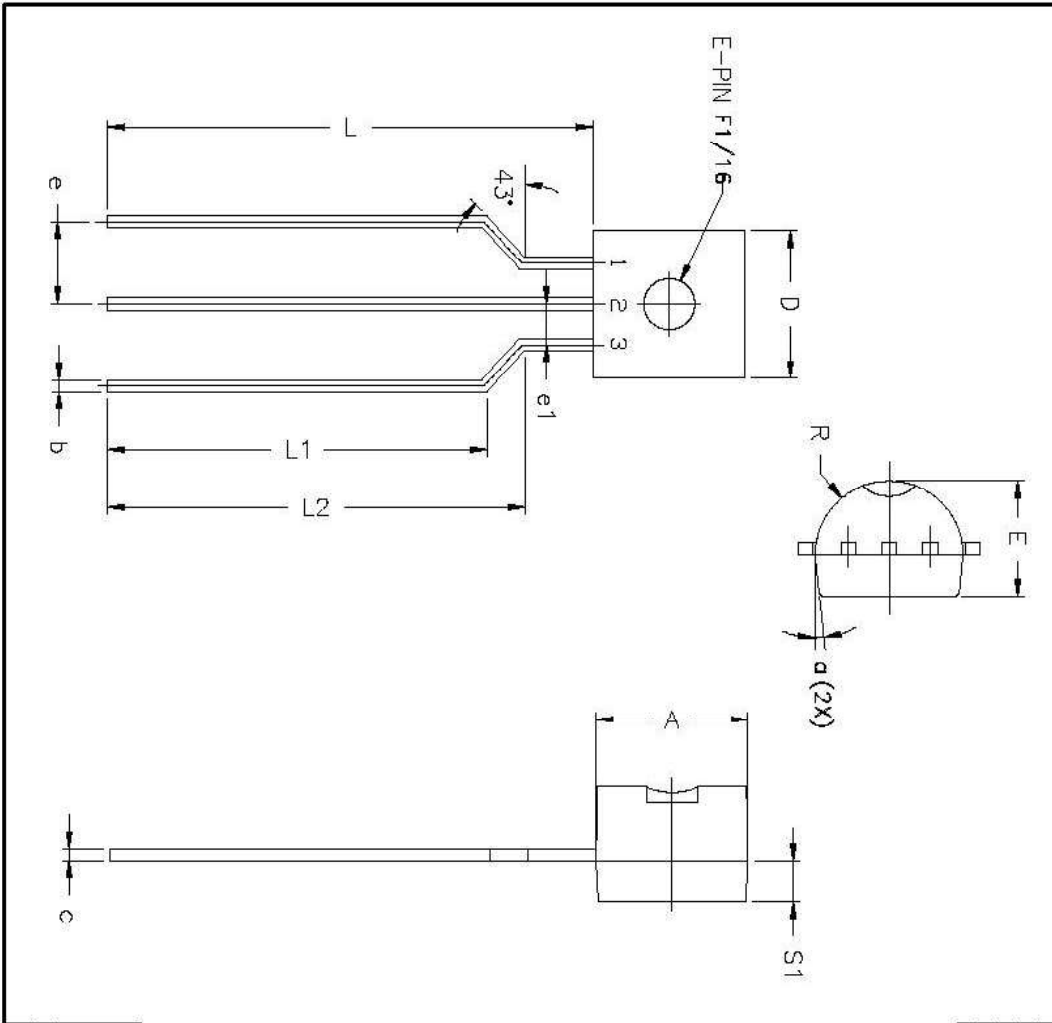
| REVISION HISTORY | | | |
|------------------|------------------|----------|--------|
| REV. | DESCRIPTION | DATE | APP'D. |
| A | DRAWING REVISION | 11/14/13 | AD |

| SYMBOLS | DIMENSIONS IN INCH (Control Unit) | | DIMENSIONS IN MM (Reference Unit) | |
|---------|-----------------------------------|-------|-----------------------------------|-------|
| | MIN | MAX | MIN | MAX |
| A | 0.170 | 0.210 | 4.32 | 5.33 |
| B | 0.014 | 0.020 | 0.36 | 0.51 |
| C | 0.016 | 0.022 | 0.41 | 0.55 |
| D | 0.175 | 0.205 | 4.45 | 5.20 |
| E | 0.125 | 0.185 | 3.18 | 4.19 |
| e | 0.095 | 0.105 | 2.42 | 2.66 |
| e1 | 0.045 | 0.055 | 1.15 | 1.39 |
| L | 0.500 | 0.610 | 12.70 | 15.49 |
| R | 0.045 | 0.095 | 2.16 | 2.41 |
| S1 | 0.045 | 0.060 | 1.14 | 1.52 |
| a | 4° | 6° | 4° | 6° |
| N | 3 | 3 | 3 | 3 |

* Refer to product datasheet for POD option being used

| | | | |
|---|----------------|--------------------------|---------------|
|  | | EXAR CORPORATION | |
| | | | |
| A New Dimension in Mixed-Signal Packaging Approval: | | Drawing No: POD-00000022 | |
| Br: AD | Date: 11/14/13 | Revision: A | Sheet: 1 OF 2 |
| ECN 1345-06 11/14/2013 | | | |

PACKAGE: 3 PIN TO-92 AMMO PACK



| REVISION HISTORY | | DATE | APP'D |
|------------------|----------------|----------|-------|
| REV. | DESCRIPTION | | |
| A | DRAWING ORIGIN | 11/14/13 | AD |

| 3 Pin TO-92 (Option 2)* | | | | |
|-------------------------|-----------------------------------|-------|-----------------------------------|------|
| SYMBOLS | DIMENSIONS IN INCH (Control Unit) | | DIMENSIONS IN MM (Reference Unit) | |
| | MIN | MAX | MIN | MAX |
| A | 0.170 | 0.210 | 4.32 | 5.33 |
| b | 0.014 | 0.020 | 0.36 | 0.51 |
| c | 0.016 | 0.022 | 0.41 | 0.55 |
| D | 0.175 | 0.205 | 4.45 | 5.20 |
| E | 0.125 | 0.165 | 3.18 | 4.19 |
| e | 0.095 | 0.105 | 2.42 | 2.66 |
| e1 | 0.045 | 0.055 | 1.15 | 1.39 |
| L | 0.525 | | 13.34 | |
| L1 | 0.404 | | 10.26 | |
| L2 | 0.451 | | 11.46 | |
| R | 0.045 | 0.095 | 2.16 | 2.41 |
| S1 | 0.045 | 0.060 | 1.14 | 1.52 |
| α | 4° | 6° | 4° | 6° |
| N | | 3 | | 3 |

* Refer to product datasheet for POD option being used

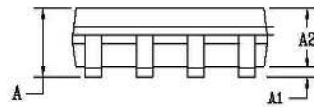
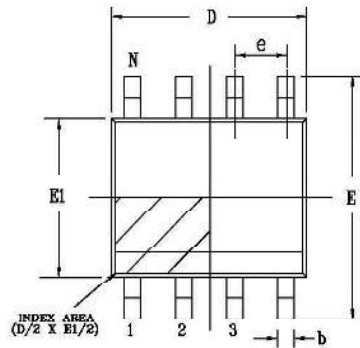
| | | | |
|---|----------------|-----------------------|---------------|
| | | EXAR CORPORATION | |
| | | TO-92 PACKAGE OUTLINE | |
| A New Direction in Mixed-Signal Packaging | | Drawing No: | POD-00000022 |
| Br: AD | Date: 11/14/13 | Revision: A | Sheet: 2 OF 2 |

ECN11346-06 11/14/2013

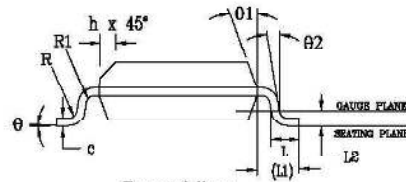
PACKAGE: 8 PIN NSOIC

| REVISION HISTORY | | | |
|------------------|---------------------------------|------------|-------|
| REV | DESCRIPTION | DATE | APPTD |
| A | DRAWING ORIGINATOR: ECN 1716-10 | 04/20/2017 | jh |

Top View



Side View



Front View

| PACKAGE OUTLINE: NSOIC .150" BODY JEDEC MS-012 VARIATION AA | | | | | | |
|--|--|-----|------|--|-----|-------|
| SYMBOLS | COMMON DIMENSIONS IN MM (Control Units) | | | COMMON DIMENSIONS IN INCH (Reference Units) | | |
| | MIN | NOM | MAX | MIN | NOM | MAX |
| A | 1.35 | — | 1.75 | 0.053 | — | 0.069 |
| A1 | 0.13 | — | 0.25 | 0.004 | — | 0.010 |
| A2 | 1.25 | — | 1.65 | 0.049 | — | 0.065 |
| b | 0.31 | — | 0.51 | 0.012 | — | 0.020 |
| e | 0.17 | — | 0.26 | 0.007 | — | 0.010 |
| E | 6.00 BSC | | | 0.236 BSC | | |
| E1 | 3.90 BSC | | | 0.154 BSC | | |
| e | 1.27 BSC | | | 0.050 BSC | | |
| h | 0.25 | — | 0.50 | 0.010 | — | 0.020 |
| L | 0.40 | — | 1.27 | 0.016 | — | 0.050 |
| L1 | 1.04 RFF | | | 0.041 RFF | | |
| L2 | 0.25 BSC | | | 0.010 BSC | | |
| R | 0.07 | — | — | 0.003 | — | — |
| R1 | 0.07 | — | — | 0.003 | — | — |
| theta | 0° | — | 8° | 0° | — | 8° |
| theta1 | 5° | — | 15° | 5° | — | 15° |
| theta2 | 0° | — | — | 0° | — | — |
| D | 4.90 BSC | | | 0.193 BSC | | |
| N | — | | | B | | |

| | | | |
|---------------------|------------------|--------------------------|---------------|
| | | EXAR CORPORATION | |
| | | NSOIC8 PACKAGE OUTLINE | |
| Packaging Approval: | | Drawing No: POD-00000106 | |
| By: YG | Date: 04/20/2017 | Revision: A | Sheet: 1 of 1 |

ORDERING INFORMATION

| Part Number | Accuracy | Output Voltage | Package | Shipping | Status |
|--------------------|-----------------|-----------------------|--------------------------|-----------------|---------------|
| LP2951CS-L-3-3/TR | 1% | 3.3V | Lead Free 8 Pin SOIC | Tape & Reel | Active |
| LP2951CS-L-5-0/TR | 1% | 5.0V/ADJ | Lead Free 8 Pin SOIC | Tape & Reel | Active |
| LP2950ACN-L-5-0 | 0.50% | 5.0V | Lead Free 3 Pin TO-92 | Bulk | OBS |
| LP2950ACN-L-5-0/TR | 0.50% | 5.0V | Lead Free 3 Pin TO-92 | Tape & Reel | OBS |
| LP2950CN-L-3-3 | 1% | 3.3V | Lead Free 3 Pin TO-92 | Bulk | OBS |
| LP2950CN-L-3-3/TR | 1% | 3.3V | Lead Free 3 Pin TO-92 | Tape & Reel | OBS |
| LP2950CN-L-5-0 | 1% | 5.0V | Lead Free 3 Pin TO-92 | Bulk | OBS |
| LP2950CN-L-5-0/TR | 1% | 5.0V | Lead Free 3 Pin TO-92 | Tape & Reel | OBS |
| LP2951ACS-L-3-3 | 0.50% | 3.3V | Lead Free 8 Pin SOIC | Bulk | OBS |
| LP2951ACS-L-3-3/TR | 0.50% | 3.3V | Lead Free 8 Pin SOIC | Tape & Reel | OBS |
| LP2951ACS-L-5-0 | 0.50% | 5.0V/ADJ | Lead Free 8 Pin SOIC | Bulk | OBS |
| LP2951ACS-L-5-0/TR | 0.50% | 5.0V/ADJ | Lead Free 8 Pin SOIC | Tape & Reel | OBS |
| LP2951CS-L-3-3 | 1% | 3.3V | Lead Free 8 Pin SOIC | Bulk | OBS |
| LP2951CS-L-5-0 | 1% | 5.0V/ADJ | Lead Free 8 Pin SOIC | Bulk | OBS |
| LP2950ACN-L-3-3 | 0.50% | 3.3V | Lead Free 3 Pin TO-92 | Bulk | OBS |
| LP2950ACN-L-3-3/TR | 0.50% | 3.3V | Lead Free 3 Pin TO-92 | Tape & Reel | OBS |

ORDERING INFORMATION
(continued)

| Part Number | Accuracy | Output Voltage | Package | Shipping | Status |
|------------------|----------|----------------|-------------|-------------|--------|
| LP2950ACN-3-3 | 0.50% | 3.3V | 3 Pin TO-92 | Bulk | EOL |
| LP2950ACN-5-0 | 0.50% | 5.0V | 3 Pin TO-92 | Bulk | EOL |
| LP2950CN-3-3 | 1% | 3.3V | 3 Pin TO-92 | Bulk | EOL |
| LP2950CN-3-3/TR | 1% | 3.3V | 3 Pin TO-92 | Tape & Reel | EOL |
| LP2950CN-5-0 | 1% | 5.0V | 3 Pin TO-92 | Bulk | EOL |
| LP2950CN-5-0/TR | 1% | 5.0V | 3 Pin TO-92 | Tape & Reel | EOL |
| LP2951ACS-3-3 | 0.50% | 3.3V | 8 Pin SOIC | Bulk | EOL |
| LP2951ACS-5-0 | 0.50% | 5.0V/ADJ | 8 Pin SOIC | Bulk | EOL |
| LP2951CS-3-3 | 1% | 3.3V | 8 Pin SOIC | Bulk | EOL |
| LP2951CS-3-3/TR | 1% | 3.3V | 8 Pin SOIC | Tape & Reel | EOL |
| LP2951CS-5-0 | 1% | 5.0V/ADJ | 8 Pin SOIC | Bulk | EOL |
| LP2951CS-5-0/TR | 1% | 5.0V/ADJ | 8 Pin SOIC | Tape & Reel | EOL |
| LP2950ACN-3-3/TR | 0.50% | 3.3V | 3 Pin TO-92 | Tape & Reel | OBS |
| LP2950ACN-5-0/TR | 0.50% | 5.0V | 3 Pin TO-92 | Tape & Reel | OBS |
| LP2951ACS-3-3/TR | 0.50% | 3.3V | 8 Pin SOIC | Tape & Reel | OBS |
| LP2951ACS-5-0/TR | 0.50% | 5.0V/ADJ | 8 Pin SOIC | Tape & Reel | OBS |



Exar Corporation
Headquarters and
Sales Office
 48720 Kato Road
 Fremont, CA 94538
 main: 510-668-7000
 fax: 510-668-7030

EXAR Corporation reserves the right to make changes to the products contained in this publication in order to improve design, performance or reliability. EXAR Corporation assumes no responsibility for the use of any circuits described herein, conveys no license under any patent or other right, and makes no representation that the circuits are free of patent infringement. Charts and schedules contained here in are only for illustration purposes and may vary depending upon a user's specific application. While the information in this publication has been carefully checked; no responsibility, however, is assumed for inaccuracies.

EXAR Corporation does not recommend the use of any of its products in life support applications where the failure or malfunction of the product can reasonably be expected to cause failure of the life support system or to significantly affect its safety or effectiveness. Products are not authorized for use in such applications unless EXAR Corporation receives, in writing, assurances to its satisfaction that: (a) the risk of injury or damage has been minimized; (b) the user assumes all such risks; (c) potential liability of EXAR Corporation is adequately protected under the circumstances.



The content of this document is furnished for informational use only, is subject to change without notice, and should not be construed as a commitment by MaxLinear, Inc. MaxLinear, Inc. assumes no responsibility or liability for any errors or inaccuracies that may appear in the informational content contained in this guide. Complying with all applicable copyright laws is the responsibility of the user. Without limiting the rights under copyright, no part of this document may be reproduced into, stored in, or introduced into a retrieval system, or transmitted in any form or by any means (electronic, mechanical, photocopying, recording, or otherwise), or for any purpose, without the express written permission of MaxLinear, Inc.

MaxLinear, Inc. does not recommend the use of any of its products in life support applications where the failure or malfunction of the product can reasonably be expected to cause failure of the life support system or to significantly affect its safety or effectiveness. Products are not authorized for use in such applications unless MaxLinear, Inc. receives, in writing, assurances to its satisfaction that: (a) the risk of injury or damage has been minimized; (b) the user assumes all such risks; (c) potential liability of MaxLinear, Inc. is adequately protected under the circumstances.

MaxLinear, Inc. may have patents, patent applications, trademarks, copyrights, or other intellectual property rights covering subject matter in this document. Except as expressly provided in any written license agreement from MaxLinear, Inc., the furnishing of this document does not give you any license to these patents, trademarks, copyrights, or other intellectual property.

MaxLinear, the MaxLinear logo, any MaxLinear trademarks (MxL, Full-Spectrum Capture, FSC, G.now, AirPHY, Puma, and AnyWAN), and the MaxLinear logo on the products sold are all property of MaxLinear, Inc. or one of MaxLinear's subsidiaries in the U.S.A. and other countries. All rights reserved. Other company trademarks and product names appearing herein are the property of their respective owners.

© 2021 MaxLinear, Inc. All rights reserved
