

# 922, 923 & 924 Midget Flanged Incandescent Lampholders

## Overview

The 922, 923 and 924 Series are relampable midget flanged base lampholders. The mating lens cap accepts a T-1 3/4 midget flanged base incandescent lamp, held in the lens assembly by means of a friction fit which insures good contact and prevents the lamp from falling out when the lens is removed. A Littelites Lens Cap Assembly must be used with the holder to hold the lamp in proper relationship to the socket contact.

## Approvals

UL Recognized.

## Specifications

**Housing:** Brass. Black nickel finish standard. Bright nickel or chrome finish optional.

**Internal Tooth Lockwasher:** Nickel-plated finish.

**Hex Nut:** Brass. 922 and 923 Series: Bright nickel finish. 924 Series: Same finish as housing finish.

**Terminals:** Brass. Tin-plated with elongated slot (3/64" x 3/32"). Tapered to accept a quick-connect receptacle. Center contact marked +.

**Socket:** Brass. Bright nickel-plated.

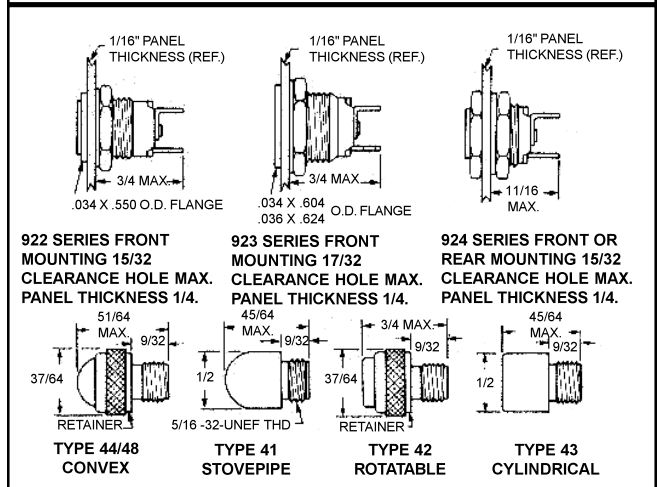
**Lens:** Heat resistant, high strength polycarbonate.

**Lens Marking:** Flat rotatable lenses may be stamped. Contact factory.

**Lens Barrel:** Brass. Nickel-plated.

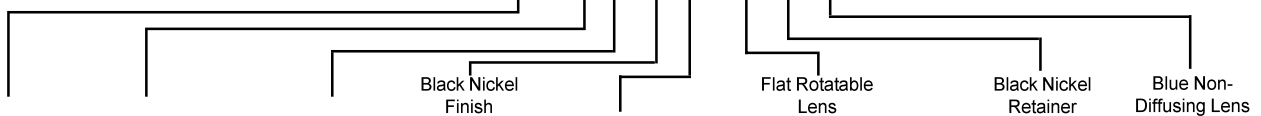
**Lens Retainer:** Brass. Black nickel finish. Bright nickel or chrome finish optional.

**922, 923, 924 Series Max. Rating:** 1.12 Watts, 28 Volts.



## ORDERING INFORMATION:

EXAMPLE: 9 2 2 4 0 4 X 42 4 BN



Series Number	Lampholders				Lens Cap Assembly			
	Termination	Features	Finish	Resistor	Lens Style	Retainer	Lens Color	
922	4 Solder Lug Terminals	0 None	4 Black Nickel Standard	X None	41 Stovepipe	0 <sup>2</sup> No Retainer	AN Amber	
923			5 Bright Nickel		42 <sup>1</sup> Flat Rotatable		4 Black Nickel Finish (Standard)	CN Colorless
924			7 Chrome		43 Cylindrical			GN Green
					44 Convex - Nondiffusing Colors Only	5 Bright Nickel Finish	RN Red	
					48 Convex - Diffusing Colors Only		7 Chrome Finish	WN White
								YN Yellow
							<b>Translucent</b>	
							AT Amber	
							BT Blue	
							GT Green	
							RT Red	
							WT White	
							YT Yellow	
							<b>Diffusing</b>	
							AD Amber	
							BD Blue	
							CD Colorless	
							GD Green	
							RD Red	
							YD Yellow	

<sup>1</sup> See back page of Littelite section for Lampholder/Resistor Selection.

<sup>2</sup> Use with type 3 finish on lampholder.