

NOTES:

1. DO NOT SCALE THIS DRAWING.

2. MATERIALS AND FINISHES:
 BODY - BRASS, NICKEL PLATED
 CONTACT - BRASS, GOLD PLATED
 OUTER CONTACT - BeCu, GOLD PLATED
 FERRULE - COPPER, NICKEL PLATED
 INSULATOR - TFE FLUOROCARBON

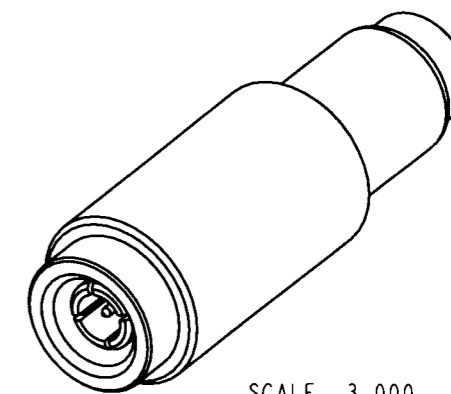
3. CONNECTOR CONFORMS TO:
 DIN 41 626, DIN 47 297
 NFC 93 569, NFC 93 571
 CECC 22 230

4. PERFORMANCE:
 IMPEDANCE - 50 Ohm
 FREQUENCY RANGE - DC TO 10 GHz
 INS RESISTANCE - 10,000 MOhm
 DWV - 750 V
 VSWR DC TO 0.1 GHz - 1.06
 0.1 TO 0.5 GHz - 1.13
 0.5 TO 1.0 GHz - 1.22
 OPERATING TEMP - -40° TO +155°C
 DURABILITY - 500 CYCLES

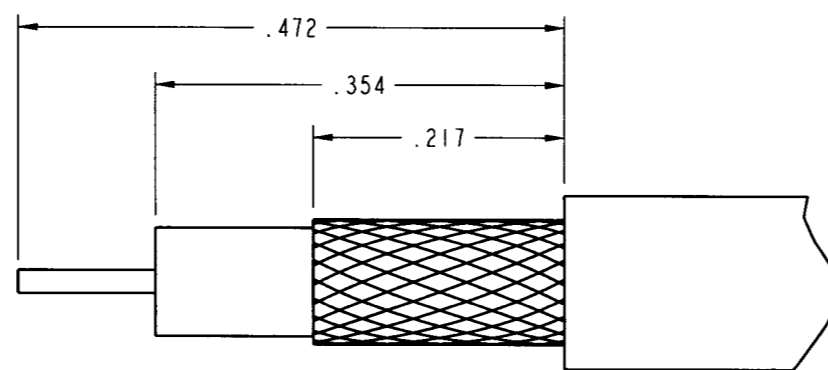
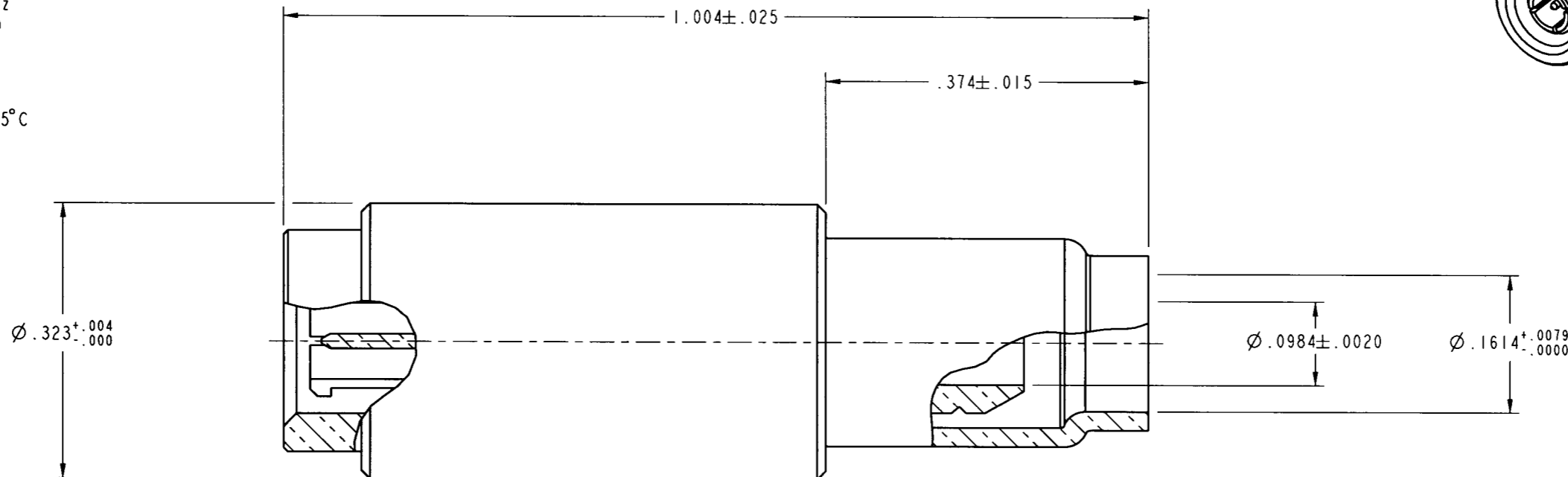
5. FOR USE WITH L910/34, L910/39 CABLE

6. CRIMP FERRULE USING .213 HEX DIE
 (M22520/5-05, CAVITY A)

102-799-34		REVISIONS			
DRAWING NO.	REV	DESCRIPTION	DATE	ECO	APPR
THIRD ANGLE PROJ.	A	ENGINEERING RELEASE	05/01/97	41915	DL/BG
	B	INTERNAL MODIFICATION	6/4/97	42010	DL/eq



SCALE 3.000



RECOMMENDED CABLE STRIPPING DIMENSIONS
 SCALE 6.000

CUSTOMER OUTLINE DRAWING

UNLESS OTHERWISE SPECIFIED, DIMENSIONS ARE IN INCHES AND TOLERANCES ARE: 2 PLACE DECIMAL 3 PLACE DECIMAL ANGLES ±.015 (0.381 mm) ±.005 (0.127 mm) ± 1°	MATERIAL	DRAWN D. LUI	DATE 14-Apr-97	TITLE STRAIGHT PLUG (1.0/2.3)	Amphenol Amphenol Corporation Communication and Network Products Division Danbury, CT U.S.A. 06810		
	REFERENCE	ENGINEER	DATE				
NOTICE - These drawings, specifications, or other data (1) are, and remain the property of Amphenol Corp. (2) must be returned upon request; and (3) are confidential and not to be disclosed to any person other than those to whom they are given by Amphenol Corp. The furnishing of these drawings, specifications, or other data by Amphenol Corp., or to any other person to anyone for any purpose is not to be regarded by implication or otherwise in any manner licensing, granting rights or permitting such holder or any other person to manufacture, use or sell any product, process or design, patented or otherwise, that may in any way be related to or disclosed by said drawings, specifications, or other data.	REF SOCAPEX 102 799 34 EAR 966535 0	APPROVED B. GLEISSNER	DATE 30-Apr-97	SCALE: 6.0:1	SHEET	1 OF 2	
		CAD FILE I:\1023\102-799-34	CODE ID 74868	DWG SIZE B	DRAWING NO. 102-799-34	REV B	