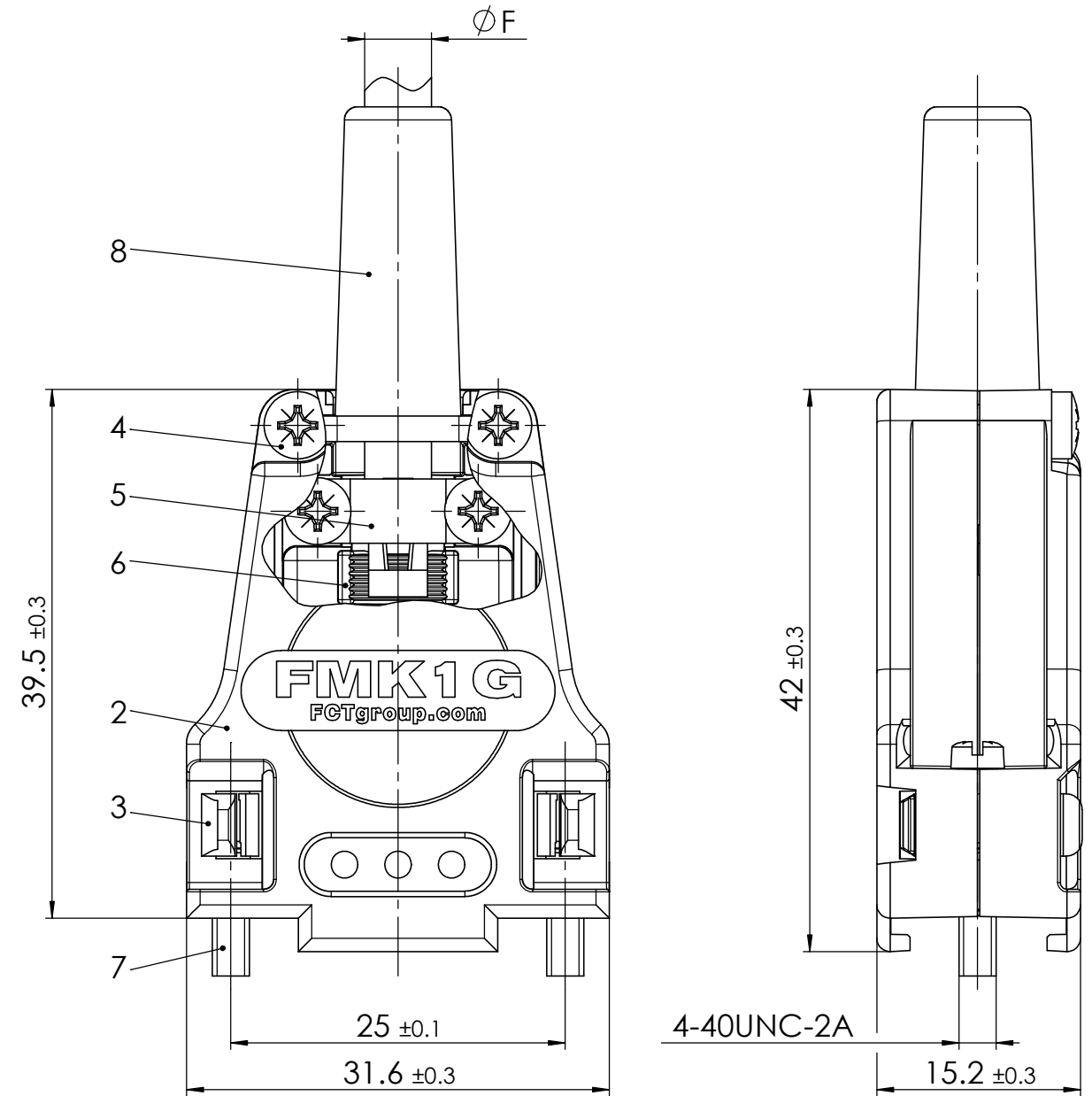


reverse side
1:1

RoHS compliant

max. torque are 40 Ncm
Part-No. 8, 9 and 10 not mounted

øF1 = Cable diameter without rubber bushing ø3 - ø9.5mm
øF2 = Cable diameter with rubber bushing max. 6.5mm



No.	St.	Part	Type	Description/Material	Surface plating/Colour/Class
10	1	High power contact	FMP006S204		AuroPur / 20A / AWG 12-16
9	1	High power contact	FMP006P204		AuroPur / 20A / AWG 12-16
8	1	Rubber bushing	TPE		black
7	2	Locking screw	FVS1/5-K1163 4-40 / Steel		nickel plated
6	1	Strain relief	ABS		nickel plated
5	1	Cable clamp	Steel		tin plated
4	4	Screw	Case hardened steel		zinc plated
3	2	Catch spring	PEI		black
2	1	Hood	FMK1G / Zinc die-cast		nickel plated
1	1	Mixed-Layout Connector	F2W2PC-K120		

				SCALE	TITLE
				2:1	Hood Connector Set
		NAME / DATE			
DRAWN		ameyerrichte			
		CHECKED		BWittek	
				14-10-2016	
1				DWG.NO.	REV.
				FMK1G-2W2PCA-5934	1
REV.	DATE	CH.-NO.	ORIGINAL: DIN A3-DRAWING AS A FILE	REPLACEMENT FOR:	PAGES 1

COMMENT: ALL RIGHTS ARE RESERVED BY US FOR THIS DRAWING. WITHOUT OUR PRIOR CONSENT, IT MAY NEITHER BE DUPLICATED NOR MADE AVAILABLE TO A THIRD PARTY. AND IT ALSO MAY NOT BE IMPROPERLY USED BY THE RECEIVER, OR A THIRD PARTY.