



FSUSB42 — Low-Power, Two-Port, High-Speed, USB2.0 (480Mbps) UART Switch

Features

- Low On Capacitance: 3.7 pF Typical
- Low On Resistance: 3.9 Ω Typical
- Low Power Consumption: 1 μA Maximum
 - 15 μA Maximum I_{CC}T over an Expanded Voltage Range (V_{IN}=1.8 V, V_{CC}=4.4 V)
- Wide -3 db Bandwidth: > 720 MHz
- Packaged in:
 - 10-Lead UMLP (1.4 x 1.8 mm)
 - 10-Lead MSOP
- 8 kV ESD Rating, >16 kV Power / GND ESD Rating
- Over-Voltage Tolerance (OVT) on all USB Ports Up to 5.25 V without External Components

Applications

- Cell phone, PDA, Digital Camera, and Notebook
- LCD Monitor, TV, and Set-Top Box

Description

The FSUSB42 is a bi-directional, low-power, two-port, high-speed, USB2.0 switch. Configured as a double-pole, double-throw switch (DPDT) switch, it is optimized for switching between any combination of high-speed (480 Mbps) or Full-Speed (12 Mbps) sources.

The FSUSB42 is compatible with the requirements of USB2.0 and features an extremely low on capacitance (C_{ON}) of 3.7 pF. The wide bandwidth of this device (720 MHz) exceeds the bandwidth needed to pass the third harmonic, resulting in signals with minimum edge and phase distortion. Superior channel-to-channel crosstalk also minimizes interference.

The FSUSB42 contains special circuitry on the switch I/O pins for applications where the V_{CC} supply is powered-off (V_{CC}=0 V), which allows the device to withstand an over-voltage condition. This device is designed to minimize current consumption even when the control voltage applied to the SEL pin is lower than the supply voltage (V_{CC}). This feature is especially valuable to ultra-portable applications, such as cell phones, allowing for direct interface with the general-purpose I/Os of the baseband processor. Other applications include switching and connector sharing in portable cell phones, PDAs, digital cameras, printers, and notebook computers.

Ordering Information

| Part Number | Top Mark | Operating Temperature Range | Package |
|-------------|----------|-----------------------------|--|
| FSUSB42UMX | HE | -40 to +85°C | 10-Lead, Quad, Ultrathin Molded Leadless Package (UMLP), 1.4 x 1.8 mm |
| FSUSB42MUX | FSUSB42 | -40 to +85°C | 10-Lead, Molded Small-Outline Package (MSOP) JEDEC MO-187, 3.0 mm Wide |

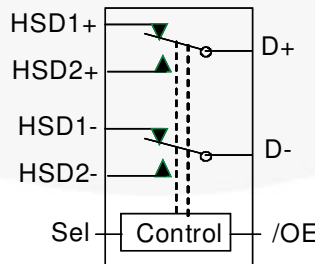


Figure 1. Analog Symbol

Pin Assignments

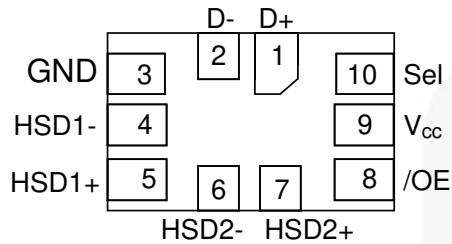


Figure 2. 10-Lead UMLP (Top-Through View)

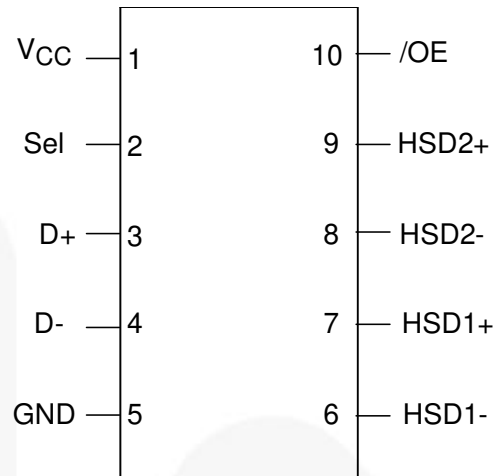


Figure 3. 10-Lead MSOP (Top-Through View)

Pin Definitions

| UMLP Pin# | MSOP Pin# | Name | Description |
|-----------|-----------|-----------------|----------------------------|
| 1 | 3 | D+ | Common USB Data Bus |
| 2 | 4 | D- | Common USB Data Bus |
| 3 | 5 | GND | Ground |
| 4 | 6 | HSD1- | Multiplexed Source Input 1 |
| 5 | 7 | HSD1+ | Multiplexed Source Input 1 |
| 6 | 8 | HSD2- | Multiplexed Source Input 2 |
| 7 | 9 | HSD2+ | Multiplexed Source Input 2 |
| 8 | 10 | /OE | Switch Enable |
| 9 | 1 | V _{CC} | Supply Voltage |
| 10 | 2 | Sel | Switch Select |

Truth Table

| SEL | /OE | Function |
|------|------|----------------------|
| X | HIGH | Disconnect |
| LOW | LOW | D+= HSD1+, D-= HSD1- |
| HIGH | LOW | D+= HSD2+, D-= HSD2- |

Notes:

1. $LOW \leq V_{IL}$.
2. $HIGH \geq V_{IH}$.
3. X=Don't Care.

Absolute Maximum Ratings

Stresses exceeding the absolute maximum ratings may damage the device. The device may not function or be operable above the recommended operating conditions and stressing the parts to these levels is not recommended. In addition, extended exposure to stresses above the recommended operating conditions may affect device reliability. The absolute maximum ratings are stress ratings only.

| Symbol | Parameter | Min. | Max. | Unit |
|-------------|--|---------------|----------|-------|
| V_{CC} | Supply Voltage | -0.5 | 5.6 | V |
| V_{CNTRL} | DC Input Voltage (S, /OE) ⁽⁴⁾ | -0.5 | V_{CC} | V |
| V_{SW} | DC Switch I/O Voltage ⁽⁴⁾ ($V_{CC}=0V$) | -0.50 | 5.25 | V |
| I_{IK} | DC Input Diode Current | -50 | | mA |
| I_{OUT} | DC Output Current | | 100 | mA |
| T_{STG} | Storage Temperature | -65 | +150 | °C |
| MSL | Moisture Sensitivity Level (JEDEC J-STD-020A) | | 1 | Level |
| ESD | Human Body Model, JEDEC: JESD22-A114 | All Pins | 7 | kV |
| | | I/O to GND | 8 | |
| | | Power to GND | 16 | |
| | | D+/D- | 9 | |
| | IEC 61000-4-2 System on USB Connector Pins D+ & D- | Air Discharge | 15 | |
| | | Contact | 8 | |
| | Charged Device Model, JEDEC: JESD22-C101 | 2 | | |

Note:

4. The input and output negative ratings may be exceeded if the input and output diode current ratings are observed.

Recommended Operating Conditions

The Recommended Operating Conditions table defines the conditions for actual device operation. Recommended operating conditions are specified to ensure optimal performance to the datasheet specifications. Fairchild does not recommend exceeding them or designing to Absolute Maximum Ratings.

| Symbol | Parameter | Min. | Max. | Unit |
|-------------|---|------|----------|------|
| V_{CC} | Supply Voltage | 2.4 | 4.4 | V |
| V_{CNTRL} | Control Input Voltage (S, /OE) ⁽⁵⁾ | 0 | V_{CC} | V |
| V_{SW} | Switch I/O Voltage | -0.5 | 4.5 | V |
| T_A | Operating Temperature | -40 | +85 | °C |

Note:

5. The control input must be held HIGH or LOW and it must not float.

DC Electrical Characteristics

All typical value are at $T_A=25^\circ\text{C}$ unless otherwise specified.

| Symbol | Parameter | Condition | V_{CC} (V) | $T_A=-40^\circ\text{C}$ to $+85^\circ\text{C}$ | | | Unit |
|-----------------|---|---|--------------|--|------|------|---------------|
| | | | | Min. | Typ. | Max. | |
| V_{IK} | Clamp Diode Voltage | $I_{IN}=-18\text{mA}$ | 3.0 | | | -1.2 | V |
| V_{IH} | Input Voltage High | | 2.4 to 3.6 | 1.3 | | | V |
| | | | 4.3 | 1.7 | | | |
| V_{IL} | Input Voltage Low | | 2.4 to 3.6 | | | 0.5 | V |
| | | | 4.3 | | | 0.7 | |
| I_{IN} | Control Input Leakage | $V_{SW}=0$ to V_{CC} | 0 to 4.3 | -1 | | 1 | μA |
| I_{OZ} | Off State Leakage | $0 \leq D_n, \text{HSD1n}, \text{HSD2n} \leq 3.6\text{ V}$ | 4.3 | -2 | | 2 | μA |
| I_{OFF} | Power-Off Leakage Current (All I/O Ports) | $V_{SW}=0\text{ V}$ to 4.3 V , $V_{CC}=0\text{ V}$ Figure 5 | 0 | -2 | | 2 | μA |
| R_{ON} | HS Switch On Resistance ⁽⁶⁾ | $V_{SW}=0.4\text{ V}$, $I_{ON}=-8\text{ mA}$ Figure 4 | 2.4 | | 4.5 | 7.5 | Ω |
| | | | 3.0 | | 3.9 | 6.5 | |
| ΔR_{ON} | HS Delta R_{ON} ⁽⁷⁾ | $V_{SW}=0.4\text{ V}$, $I_{ON}=-8\text{ mA}$ | 3.0 | | 0.65 | | Ω |
| I_{CC} | Quiescent Supply Current | $V_{CNTRL}=0$ or V_{CC} , $I_{OUT}=0$ | 4.3 | | | 1 | μA |
| I_{CCT} | Increase in I_{CC} Current per Control Voltage and V_{CC} | $V_{CNTRL}=2.6\text{ V}$, $V_{CC}=4.3\text{ V}$ | 4.3 | | | 10 | μA |
| | | $V_{CNTRL}=1.8\text{ V}$, $V_{CC}=4.3\text{ V}$ | 4.3 | | | 15 | μA |

Notes:

6. Measured by the voltage drop between HSDn and Dn pins at the indicated current through the switch. On resistance is determined by the lower of the voltage on the two (HSDn or Dn ports).
7. Guaranteed by characterization.

AC Electrical Characteristics

All typical value are for $V_{CC}=3.3\text{ V}$ at $T_A=25^\circ\text{C}$ unless otherwise specified.

| Symbol | Parameter | Condition | V_{CC} (V) | $T_A=-40^\circ\text{C to }+85^\circ\text{C}$ | | | Unit |
|-----------|-----------------------------------|--|--------------|--|------|------|------|
| | | | | Min. | Typ. | Max. | |
| t_{ON} | Turn-On Time S, /OE to Output | $R_L=50\ \Omega$, $C_L=5\ \text{pF}$, $V_{SW}=0.8\ \text{V}$, Figure 6, Figure 7 | 2.4 | | 24 | 40 | ns |
| | | | 3.0 to 3.6 | | 13 | 30 | |
| t_{OFF} | Turn-Off Time S, /OE to Output | $R_L=50\ \Omega$, $C_L=5\ \text{pF}$, $V_{SW}=0.8\ \text{V}$, Figure 6, Figure 7 | 2.4 | | 15 | 35 | ns |
| | | | 3.0 to 3.6 | | 12 | 25 | |
| t_{PD} | Propagation Delay ⁸ | $C_L=5\ \text{pF}$, $R_L=50\ \Omega$, Figure 6, Figure 8 | 3.3 | | 0.25 | | ns |
| t_{BBM} | Break-Before-Make | $R_L=50\ \Omega$, $C_L=5\ \text{pF}$, $V_{SW1}=V_{SW2}=0.8\ \text{V}$, Figure 10 | 2.4 | 2.0 | | 10 | ns |
| | | | 3.0 to 3.6 | 2.0 | | 6.5 | |
| O_{IRR} | Off Isolation | $R_L=50\ \Omega$, $f=240\ \text{MHz}$, Figure 12 | 3.0 to 3.6 | | -30 | | dB |
| Xtalk | Non-Adjacent Channel Crosstalk | $R_L=50\ \Omega$, $f=240\ \text{MHz}$, Figure 13 | 3.0 to 3.6 | | -45 | | dB |
| BW | -3db Bandwidth | $R_L=50\ \Omega$, $C_L=0\ \text{pF}$, Figure 11 | 3.0 to 3.6 | | 720 | | MHz |
| | | $R_L=50\ \Omega$, $C_L=5\ \text{pF}$, Figure 11 | | | 550 | | MHz |

Note:

8. Guaranteed by characterization.

USB High-Speed-Related AC Electrical Characteristics

All typical value are for $V_{CC}=3.3\ \text{V}$ at $T_A=25^\circ\text{C}$ unless otherwise specified.

| Symbol | Parameter | Condition | V_{CC} (V) | $T_A=-40^\circ\text{C to }+85^\circ\text{C}$ | | | Unit |
|-------------|--|---|--------------|--|------|------|------|
| | | | | Min. | Typ. | Max. | |
| $t_{SK(P)}$ | Skew of Opposite Transitions of the Same Output ⁽⁹⁾ | $C_L=5\ \text{pF}$, $R_L=50\ \Omega$, Figure 9 | | | 20 | | ps |
| t_J | Total Jitter ⁽⁹⁾ | $R_L=50\ \Omega$, $C_L=5\ \text{pF}$, $t_R=t_F=500\ \text{ps}$ (10-90%) at 480 Mbps (PRBS= $2^{15}-1$) | | | 200 | | ps |

Note:

9. Guaranteed by characterization.

Capacitance

| Symbol | Parameter | Condition | $T_A=-40^\circ\text{C to }+85^\circ\text{C}$ | | | Unit |
|-----------|-------------------------------|--|--|------|------|------|
| | | | Min. | Typ. | Max. | |
| C_{IN} | Control Pin Input Capacitance | $V_{CC}=0\ \text{V}$ | | 1.5 | | pF |
| C_{ON} | D+/D- On Capacitance | $V_{CC}=3.3\ \text{V}$, /OE=0 V, $f=240\ \text{MHz}$, Figure 15 | | 3.7 | | |
| C_{OFF} | D1n, D2n Off Capacitance | V_{CC} and /OE=3.3 V, Figure 14 | | 2.0 | | |

Test Diagrams

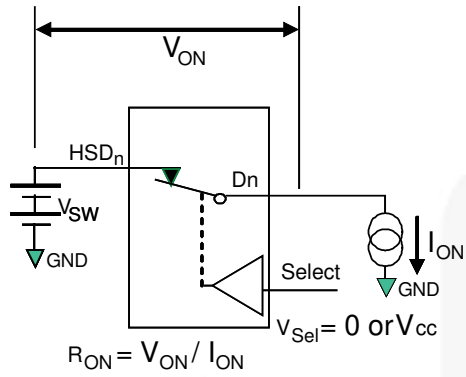
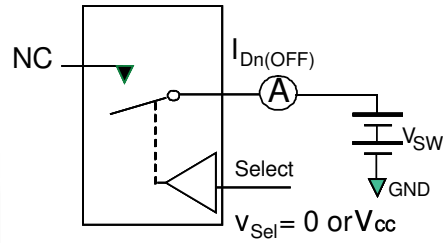
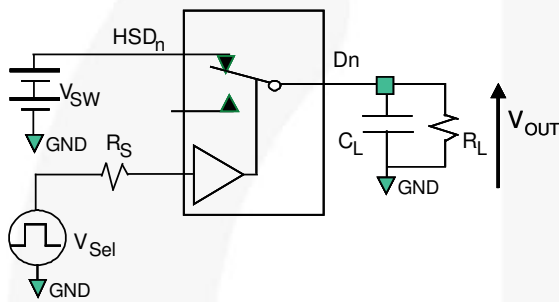


Figure 4. On Resistance



**Each switch port is tested separately

Figure 5. Off Leakage



R_L , R_S , and C_L are functions of the application environment (see AC Tables for specific values)
 C_L includes test fixture and stray capacitance.

Figure 6. AC Test Circuit Load

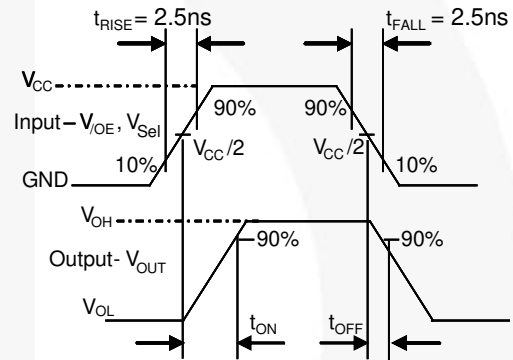


Figure 7. Turn-On / Turn-Off Waveforms

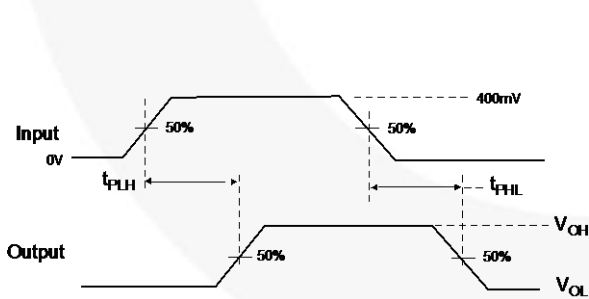


Figure 8. Propagation Delay ($t_{rtF} = 500$ ps)

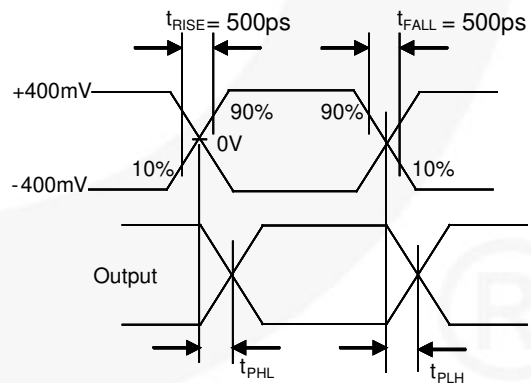


Figure 9. Intra-Pair Skew Test $t_{SK(P)}$

Test Diagrams (Continued)

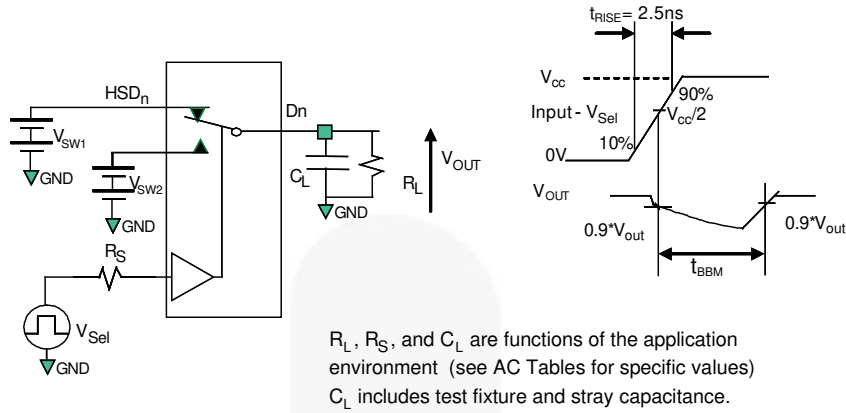


Figure 10. Break-Before-Make Interval Timing

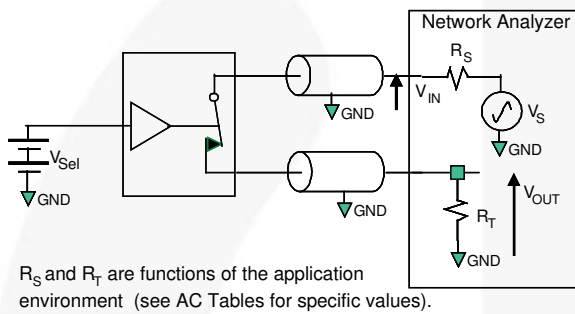


Figure 11. Bandwidth

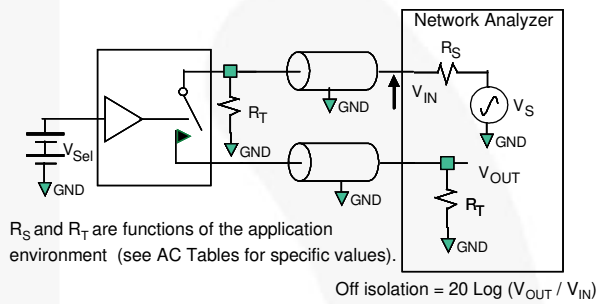


Figure 12. Channel Off Isolation

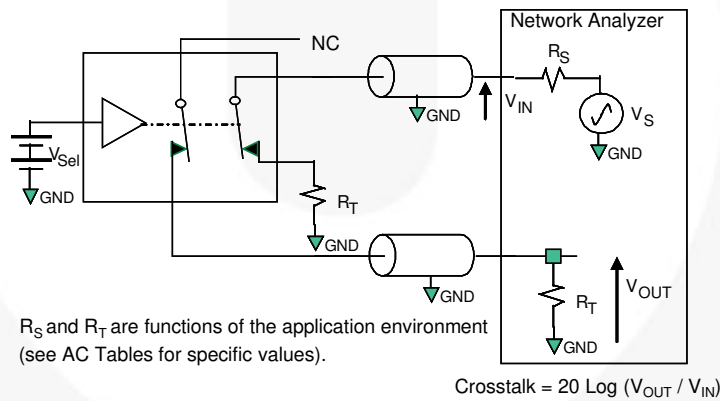


Figure 13. Non-Adjacent Channel-to-Channel Crosstalk

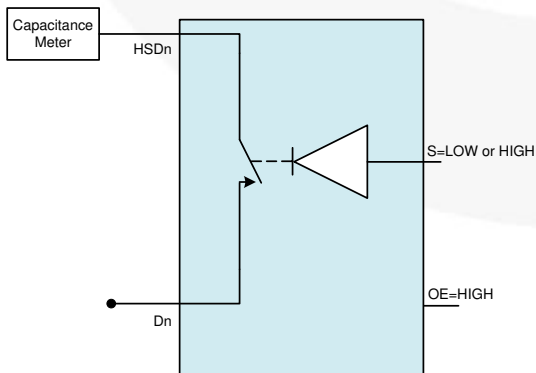


Figure 14. Channel Off Capacitance

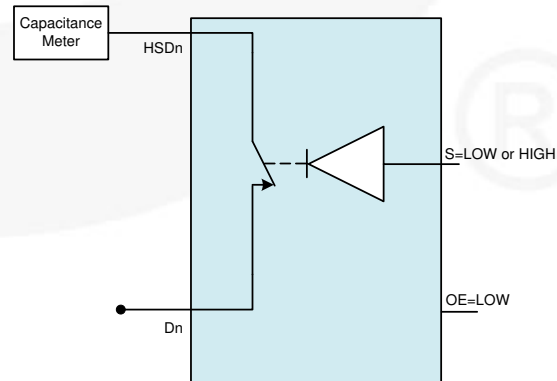
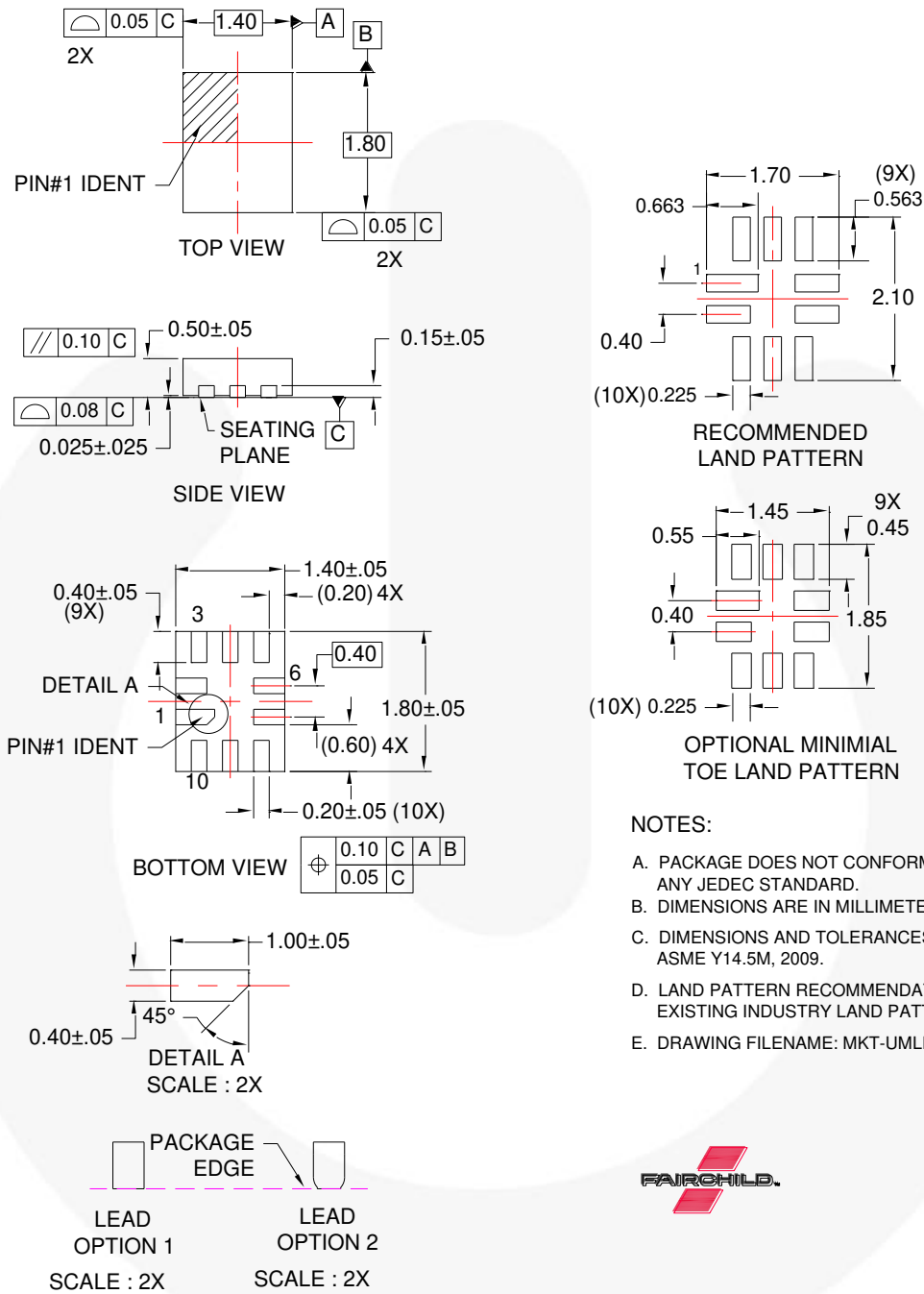


Figure 15. Channel On Capacitance

Physical Dimensions



- NOTES:
- PACKAGE DOES NOT CONFORM TO ANY JEDEC STANDARD.
 - DIMENSIONS ARE IN MILLIMETERS.
 - DIMENSIONS AND TOLERANCES PER ASME Y14.5M, 2009.
 - LAND PATTERN RECOMMENDATION IS EXISTING INDUSTRY LAND PATTERN.
 - DRAWING FILENAME: MKT-UMLP10Arev6.

Figure 16. 10-Lead, Ultrathin Molded Leadless Package (UMLP)

Physical Dimensions (Continued)

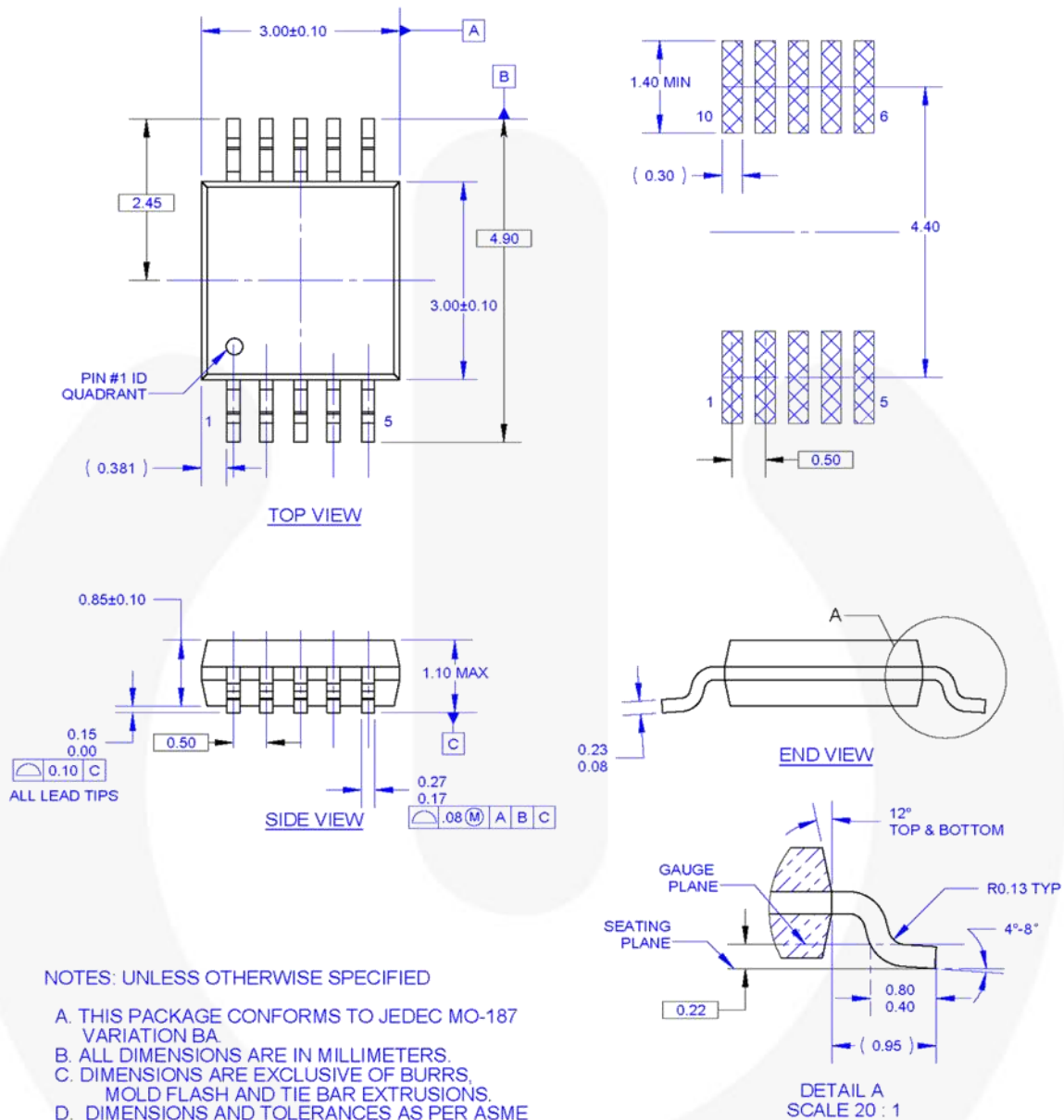


Figure 17. 10-Lead, Molded Small Outline Package (MSOP)



TRADEMARKS

The following includes registered and unregistered trademarks and service marks, owned by Fairchild Semiconductor and/or its global subsidiaries, and is not intended to be an exhaustive list of all such trademarks.

- | | | | |
|--------------------------|--|--------------------------------------|------------------|
| AccuPower™ | F-PFS™ | OPTOPLANAR® | SYSTEM GENERAL® |
| AttitudeEngine™ | FRFET® | ® | TinyBoost® |
| Awinda® | Global Power Resource™ | Power Supply WebDesigner™ | TinyBuck® |
| AX-CAP® | GreenBridge™ | PowerTrench® | TinyCalc™ |
| BitSiC™ | Green FPS™ | PowerXS™ | TinyLogic® |
| Build it Now™ | Green FPS™ e-Series™ | Programmable Active Droop™ | TINYOPTO™ |
| CorePLUS™ | Gmax™ | QFET® | TinyPower™ |
| CorePOWER™ | GTO™ | QS™ | TinyPWM™ |
| CROSSVOLT™ | IntelliMAX™ | Quiet Series™ | TinyWire™ |
| CTL™ | ISOPLANAR™ | RapidConfigure™ | TranSiC™ |
| Current Transfer Logic™ | Making Small Speakers Sound Louder and Better™ | ™ | TriFault Detect™ |
| DEUXPEED® | MegaBuck™ | Saving our world, 1mW/WkW at a time™ | TRUECURRENT®* |
| Dual Cool™ | MICROCOUPLER™ | SignalWise™ | µSerDes™ |
| EcoSPARK® | MicroFET™ | SmartMax™ | SerDes™ |
| EfficientMax™ | MicroPak™ | SMART START™ | UHC® |
| ESBC™ | MicroPak2™ | Solutions for Your Success™ | Ultra FRFET™ |
| Fairchild® | MillerDrive™ | SPM® | UniFET™ |
| Fairchild Semiconductor® | MotionMax™ | STEALTH™ | Vcx™ |
| FACT Quiet Series™ | MotionGrid® | SuperFET® | VisualMax™ |
| FACT® | MTI® | SuperSOT™-3 | VoltagePlus™ |
| FAST® | MTX® | SuperSOT™-6 | XS™ |
| FastvCore™ | MVN® | SuperSOT™-8 | XSens™ |
| FETBench™ | mWSaver® | SupreMOS® | 仙童™ |
| FPS™ | OptoHiT™ | SyncFET™ | |
| | OPTOLOGIC® | Sync-Lock™ | |

* Trademarks of System General Corporation, used under license by Fairchild Semiconductor.

DISCLAIMER

FAIRCHILD SEMICONDUCTOR RESERVES THE RIGHT TO MAKE CHANGES WITHOUT FURTHER NOTICE TO ANY PRODUCTS HEREIN TO IMPROVE RELIABILITY, FUNCTION, OR DESIGN. TO OBTAIN THE LATEST, MOST UP-TO-DATE DATASHEET AND PRODUCT INFORMATION, VISIT OUR WEBSITE AT [HTTP://WWW.FAIRCHILDSEMI.COM](http://www.fairchildsemi.com). FAIRCHILD DOES NOT ASSUME ANY LIABILITY ARISING OUT OF THE APPLICATION OR USE OF ANY PRODUCT OR CIRCUIT DESCRIBED HEREIN; NEITHER DOES IT CONVEY ANY LICENSE UNDER ITS PATENT RIGHTS, NOR THE RIGHTS OF OTHERS. THESE SPECIFICATIONS DO NOT EXPAND THE TERMS OF FAIRCHILD'S WORLDWIDE TERMS AND CONDITIONS, SPECIFICALLY THE WARRANTY THEREIN, WHICH COVERS THESE PRODUCTS.

AUTHORIZED USE

Unless otherwise specified in this data sheet, this product is a standard commercial product and is not intended for use in applications that require extraordinary levels of quality and reliability. This product may not be used in the following applications, unless specifically approved in writing by a Fairchild officer: (1) automotive or other transportation, (2) military/aerospace, (3) any safety critical application – including life critical medical equipment – where the failure of the Fairchild product reasonably would be expected to result in personal injury, death or property damage. Customer's use of this product is subject to agreement of this Authorized Use policy. In the event of an unauthorized use of Fairchild's product, Fairchild accepts no liability in the event of product failure. In other respects, this product shall be subject to Fairchild's Worldwide Terms and Conditions of Sale, unless a separate agreement has been signed by both Parties.

ANTI-COUNTERFEITING POLICY

Fairchild Semiconductor Corporation's Anti-Counterfeiting Policy. Fairchild's Anti-Counterfeiting Policy is also stated on our external website, www.fairchildsemi.com, under Terms of Use

Counterfeiting of semiconductor parts is a growing problem in the industry. All manufacturers of semiconductor products are experiencing counterfeiting of their parts. Customers who inadvertently purchase counterfeit parts experience many problems such as loss of brand reputation, substandard performance, failed applications, and increased cost of production and manufacturing delays. Fairchild is taking strong measures to protect ourselves and our customers from the proliferation of counterfeit parts. Fairchild strongly encourages customers to purchase Fairchild parts either directly from Fairchild or from Authorized Fairchild Distributors who are listed by country on our web page cited above. Products customers buy either from Fairchild directly or from Authorized Fairchild Distributors are genuine parts, have full traceability, meet Fairchild's quality standards for handling and storage and provide access to Fairchild's full range of up-to-date technical and product information. Fairchild and our Authorized Distributors will stand behind all warranties and will appropriately address any warranty issues that may arise. Fairchild will not provide any warranty coverage or other assistance for parts bought from Unauthorized Sources. Fairchild is committed to combat this global problem and encourage our customers to do their part in stopping this practice by buying direct or from authorized distributors.

PRODUCT STATUS DEFINITIONS

Definition of Terms

| Datasheet Identification | Product Status | Definition |
|--------------------------|-----------------------|---|
| Advance Information | Formative / In Design | Datasheet contains the design specifications for product development. Specifications may change in any manner without notice. |
| Preliminary | First Production | Datasheet contains preliminary data; supplementary data will be published at a later date. Fairchild Semiconductor reserves the right to make changes at any time without notice to improve design. |
| No Identification Needed | Full Production | Datasheet contains final specifications. Fairchild Semiconductor reserves the right to make changes at any time without notice to improve the design. |
| Obsolete | Not In Production | Datasheet contains specifications on a product that is discontinued by Fairchild Semiconductor. The datasheet is for reference information only. |

Rev. 175