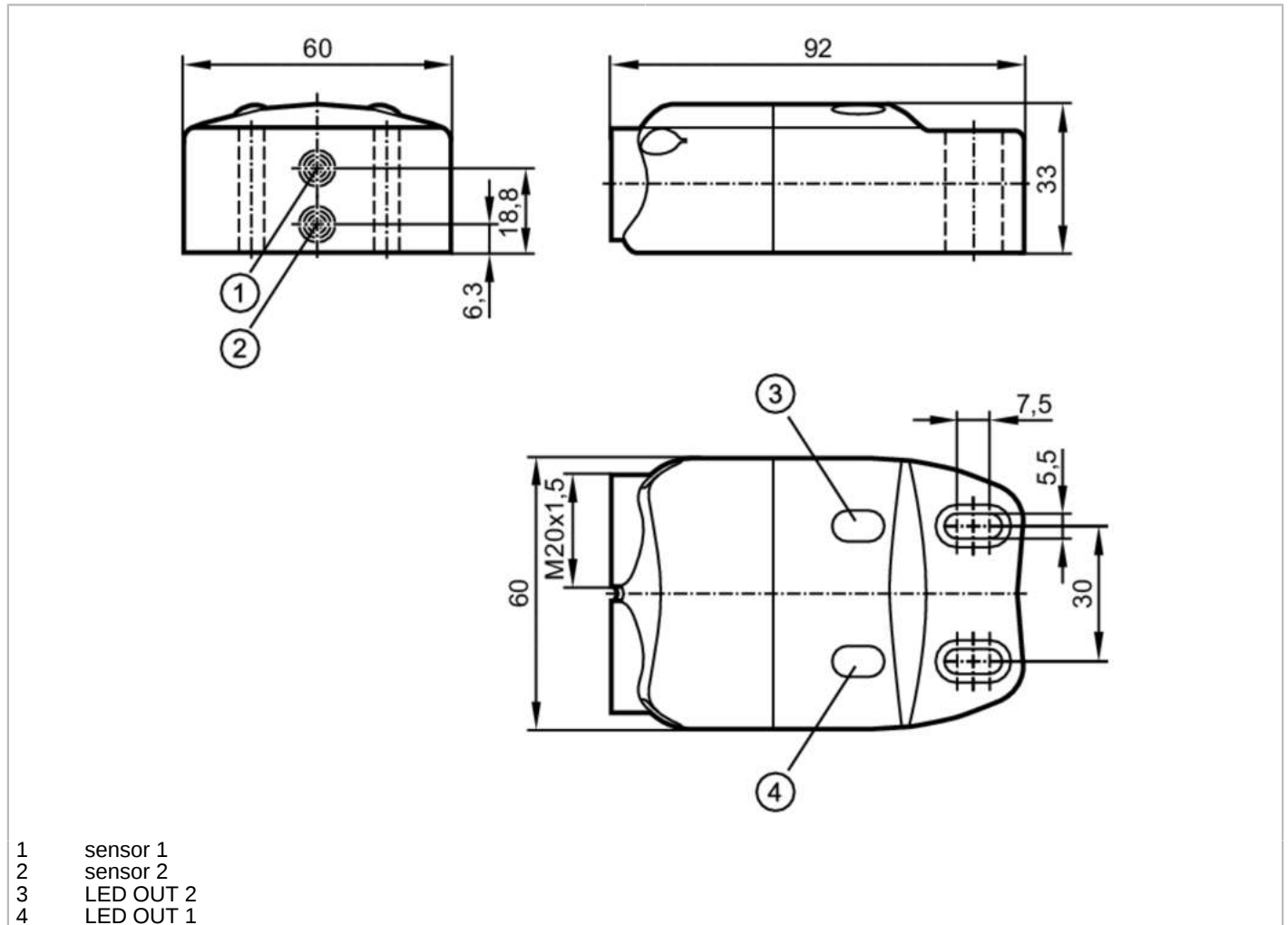


IN5409



Inductive sensor

INE3004DBPKG



Product characteristics	
Electrical design	PNP
Output function	2 x normally open
Sensing range [mm]	4
Housing	rectangular
Dimensions [mm]	33 x 60 x 92
Electrical data	
Operating voltage [V]	10...30 DC; (; to PELV)
Current consumption [mA]	15; (a maximum of one output is switched)
Protection class	III
Reverse polarity protection	yes
Outputs	
Electrical design	PNP
Output function	2 x normally open
Max. voltage drop switching output DC [V]	2.5

IN5409



Inductive sensor

INE3004DBPKG

Permanent current rating of switching output DC [mA]	100
Switching frequency DC [Hz]	500
Short-circuit protection	yes
Type of short-circuit protection	pulsed
Overload protection	yes
Valve control	24 (< 20 W)

Detection zone

Sensing range [mm]	4
Real sensing range Sr [mm]	4 ± 10 %
Operating distance [mm]	0...3.25

Accuracy / deviations

Correction factor	steel: 1 / stainless steel: 0.7 / brass: 0.5 / aluminium: 0.4 / copper: 0.3
Hysteresis [% of Sr]	1...15
Switch point drift [% of Sr]	-10...10

Operating conditions

Ambient temperature [°C]	-25...80
Protection	IP 67

Tests / approvals

EMC	EN 60947-5-2	
	EN 55011	class B
MTTF [years]	1072	

Mechanical data

Weight [g]	152.7
Housing	rectangular
Mounting	non-flush mountable
Dimensions [mm]	33 x 60 x 92
Materials	housing: PA; screws: stainless steel; washer: stainless steel

Displays / operating elements

Display	switching status	2 x LED, yellow
---------	------------------	-----------------

Accessories

Items supplied	washers: 2 cylinder screws: 2 x M5 x 18
----------------	--

Remarks

Pack quantity	1 pcs.
---------------	--------

IN5409



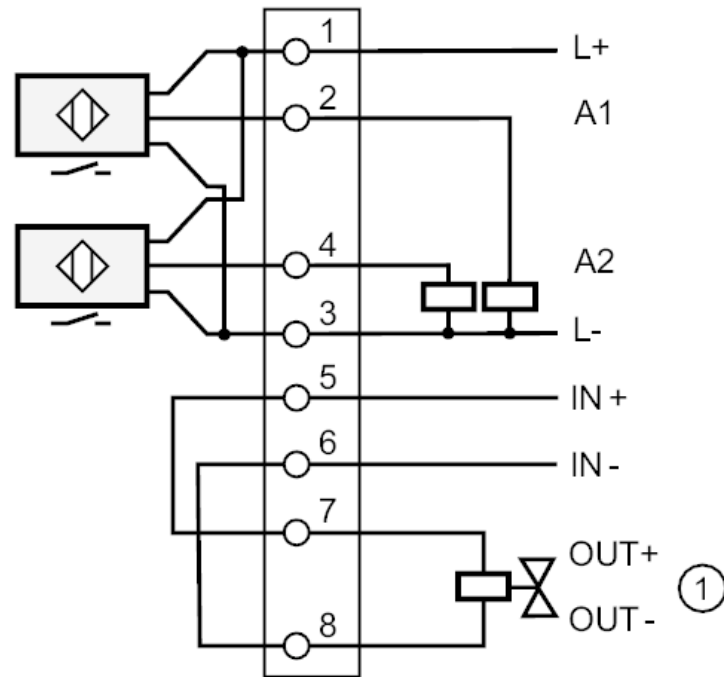
Inductive sensor

INE3004DBPKG

Electrical connection

terminal strip in the terminal chamber:

Connection



1: output solenoid valve