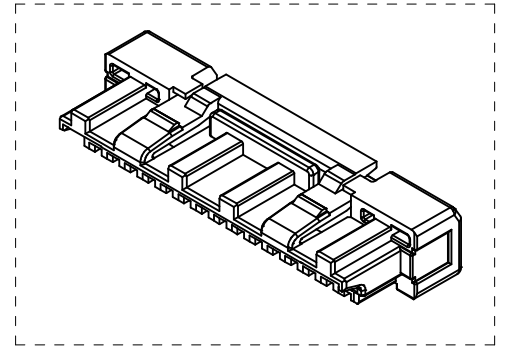
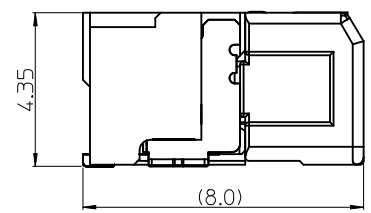


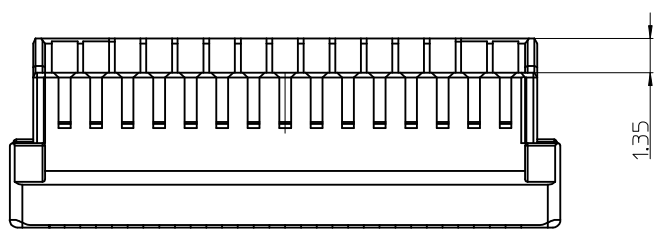
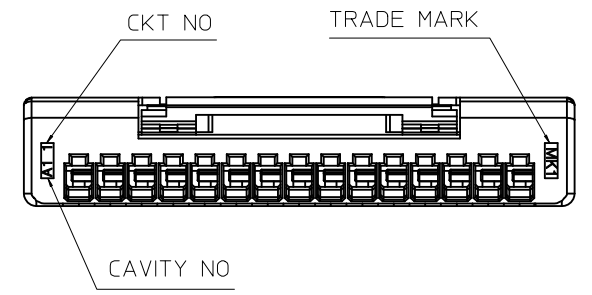
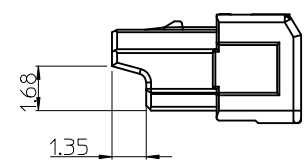
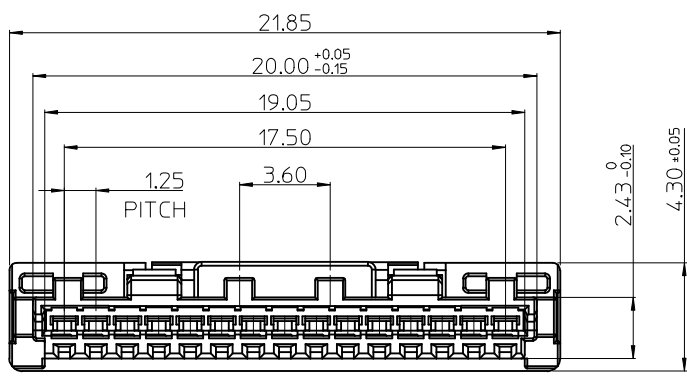
TERMINAL ASSEMBLY DRAWING
[REFERENCE]



- NOTES.
1. MATERIALS: LIQUID CRYSTAL POLYMER(LCP), GLASS FILLED, UL94V-0, COLOR: NATURAL(IVORY)
 2. PRODUCT SPECIFICATION: PS-104091-001
 3. PACKAGING SPECIFICATION: PK-104091-001
 4. MATED WITH :
HEADER ASS'Y: 14091-1520
TERMINAL : 502381-6001, 104521-6001



MATED WITH HEADER ASSEMBLY
[REFERENCE]



RELEASED EC NO: KOR2012-0127 DRWN:SKCHU 2012/06/19 CHKD:SHCHU 2012/06/19 APPR:YSK1M02 2012/08/06 REV A	QUALITY SYMBOLS ▽=0 ◻=0	GENERAL TOLERANCES (UNLESS SPECIFIED) mm INCH 4 PLACES ± --- ± --- 3 PLACES ± --- ± --- 2 PLACES ± 0.15 ± --- 1 PLACE ± 0.20 ± --- ANGULAR ± 5 °	DIMENSION STYLE MM ONLY DRAWN BY: JHPARK DATE: 2011/04/03 CHECKED BY: SHCHU DATE: 2011/04/03 APPROVED BY: YSK1M02 DATE: 2012/08/06	SCALE: 5/1 DESIGN UNITS: METRIC THIRD ANGLE PROJECTION	ORDER NO 104092-1500 1.25 WTB CONN. R/A -15P PLUG HOUSING	
	DRAFT WHERE APPLICABLE MUST REMAIN WITHIN DIMENSIONS	MATERIAL NO. 1040921500 DOCUMENT NO. SD-104092-006 SHEET NO. 1 OF 1	TITLE: MOLEX INCORPORATED	THIS DRAWING CONTAINS INFORMATION THAT IS PROPRIETARY TO MOLEX INCORPORATED AND SHOULD NOT BE USED WITHOUT WRITTEN PERMISSION		