

**SAFETY ORGANIZATIONS**

THIS FILTER HAS BEEN FORMALLY RECOGNIZED, CERTIFIED OR APPROVED BY THE LISTED AGENCY. THEREFORE, ALL TEST/REQUIREMENTS SPECIFIED IN THE LATEST REVISION OF THE FOLLOWING AGENCY STANDARDS HAVE BEEN MET:

UL RECOGNIZED: UL 1283  
 CSA CERTIFIED: CSA 22.2, # 8

**OPERATING SPECIFICATIONS**

LINE CURRENT/VOLTAGE: 20 AMP/40°C, 120/250VAC

LINE FREQUENCY: 50-60Hz

MAXIMUM LEAKAGE CURRENT,  
 EACH LINE TO GROUND: 0.40mA @ 120V, 60Hz  
 0.70mA @ 250V, 50Hz

OPERATING AMBIENT TEMP. RANGE: -10°C TO +40°C @ RATED CURRENT, I<sub>r</sub>.

IN AN AMBIENT, T<sub>a</sub>, HIGHER THAN 40°C, THE MAXIMUM OPERATING CURRENT, I<sub>o</sub>, IS AS FOLLOWS:

$$I_o = I_r \sqrt{\frac{100 - T_a}{60}}$$

**RELIABILITY SPECIFICATIONS:**

STORAGE TEMPERATURE: -40°C TO +85°C  
 HUMIDITY: 21 DAYS @ 40°C 95% RH.  
 CURRENT OVERLOAD TEST: 6 TIMES I<sub>r</sub> FOR 8 SECONDS

**TEST SPECIFICATIONS:**

INDUCTANCE: 0.44mH NOMINAL  
 CAPACITANCE: (MEASURED @ 1KHz, 0.250VAC MAX., 25°C±1°C)  
 LINE TO GROUND: 0.0089µF ±20%  
 LINE TO LINE: 0.012µF ±20%  
 DISCHARGE RESISTOR: 1.5MΩ  
 L/G AND L/L I.R.:  
 NO DISCHARGE RESISTOR: 6000MΩ (MIN.) @ 100VDC, 20°C AND 50% RH

**RECOMMENDED RECEIVING INSPECTION HIPOT:**

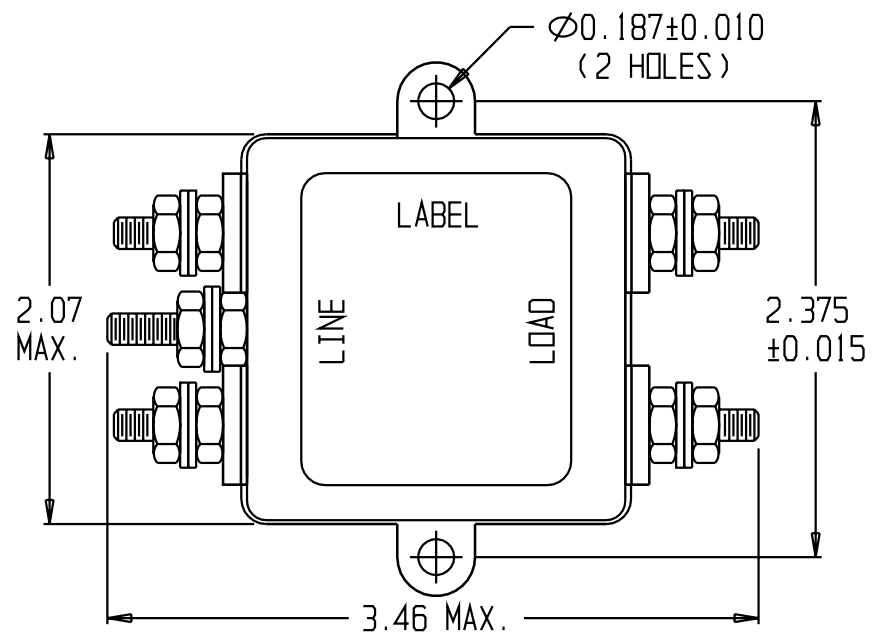
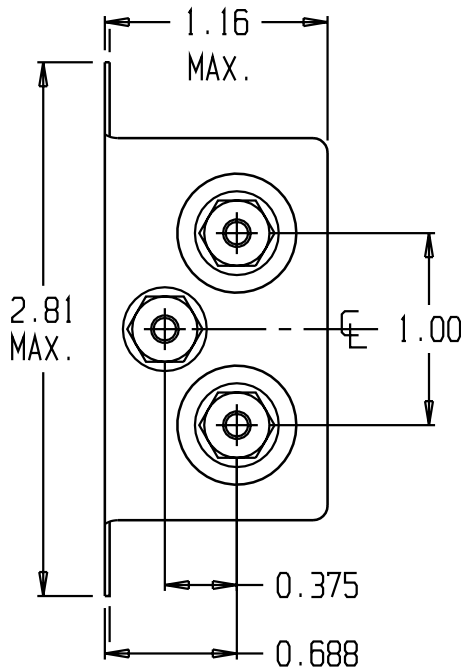
LINE TO GROUND: 1500VAC 2250VDC FOR 1 MINUTE  
 LINE TO LINE: 1450VDC FOR 1 MINUTE

**FILTER APPROVAL:**

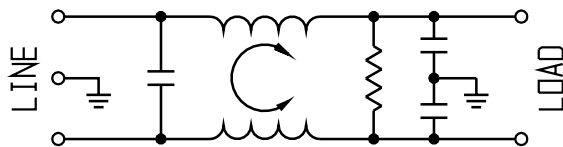
THE BEST WAY TO SELECT AND QUALIFY A FILTER IS FOR YOUR ENGINEERING TO TEST THE UNIT IN YOUR EQUIPMENT.

**CATALOG # 20B6**

ECD #	APPRVD.	DATE
	KAW	17NOV06



TORQUE: 18±2 IN-LBS



8-32 TERMINALS (5X)

**50Ω - 50Ω (MINIMUM) INSERTION LOSS**

FREQUENCY MHz	0.15	0.2	0.5	1.0	2.0	5.0	10	20	30		
COMMON dB	11	14	26	37	46	51	54	55	56		
DIFF. dB											

THIRD ANGLE PROJECTION

UNLESS OTHERWISE SPECIFIED, TOLERANCE TO BE ±.025 MATERIAL & FINISH: AS SUPPLIED

This document is proprietary to CORCOM INC. and is not to be reproduced nor used for manufacturing purposes except on CORCOM'S prior written consent.

**tyco** Electronics **corcom**  
 620 S. BUTTERFIELD ROAD MUNDLEIGH IL 60060

**CUSTOMER DRAWING 20B6**

TYCO: 0-6609019-8		CATALOG NO.	REV.
SCALE: NTS	DATE: 9SEP89	20B6	B
DRW. BY: JF	DRG: CW		