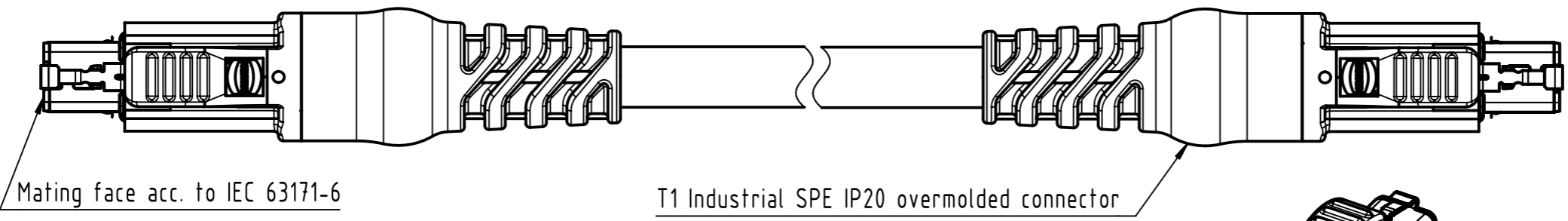
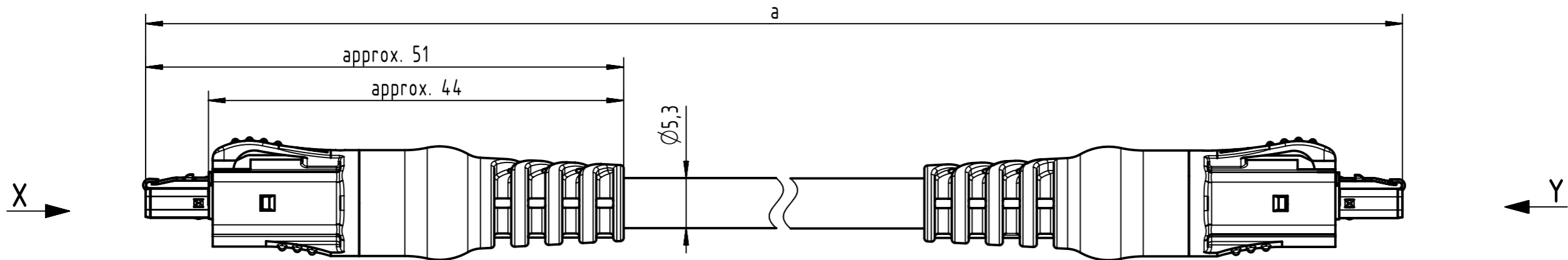


Connector Location A

Connector Location B



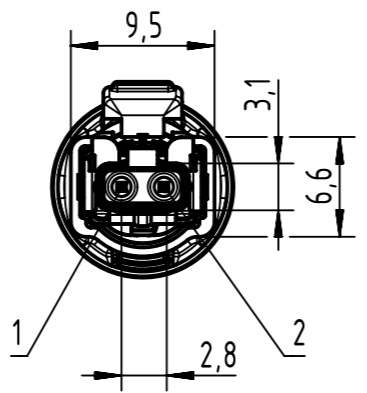
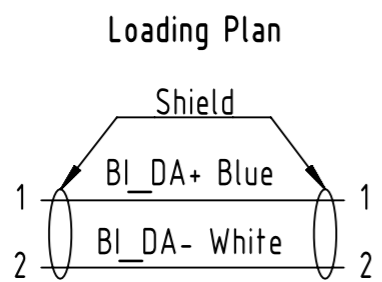
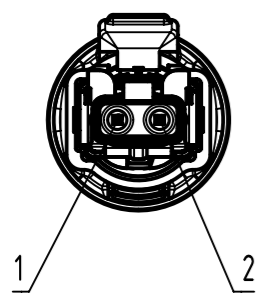
length in "1m" step	100	XXX=000
	99	XXX=990
	12	XXX=120
	11	XXX=110
length in "0.1m" step	10	XXX=100
	9.9	XXX=099
	9.8	XXX=098
	0.5	XXX=005
	0.4	XXX=004
	0.3	XXX=003
	0.2	XXX=002
Step	a [m]	XXX

6.0 to 100	±1%
0.6 to 5.9	+0.04
0.2 to 0.5	+0.02
a [m]	Tolerance

SPE Cable SF/TP, 1x2xAWG 22/7, PUR, yellow	33280101002XXX
Type of cable	Part no.

X male

Y male



Temperature range:
 - Fixed installation: -40°C ... +80°C
 - Flexible installation: -25°C ... +80°C

All Dimensions in mm		Tech. Character.		Free size tol.		According to production drawing	
All rights reserved Department HCS - RO	Created by 402676 Gross	Inspected by COSTEA Costea	Standardisation MUNTEANV Muntean	Date 2020-12-16	State Final Release		
	Title T1 SPE IP20 1x2xAWG22/7 PUR						Doc-Key / ECM-Nr. 100929343/UGD/000/A 500000186289
HARTING Customised Solutions D-32339 Espelkamp		Type TB	Number 33280101002XXX			Rev. A	Page 1/1