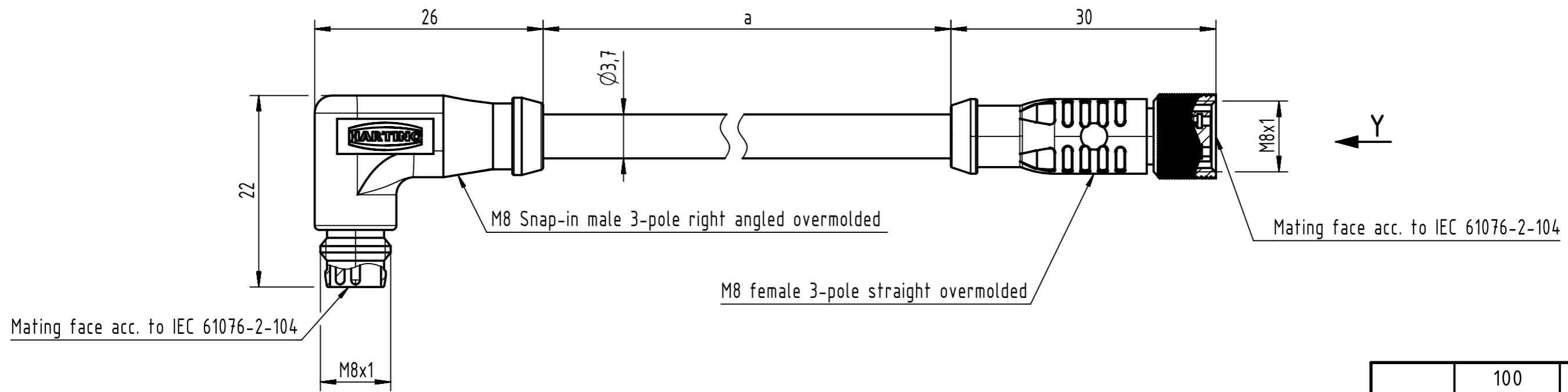


Connector Location A

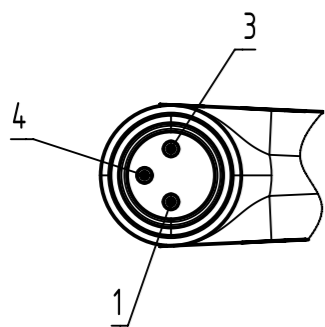
Connector Location B



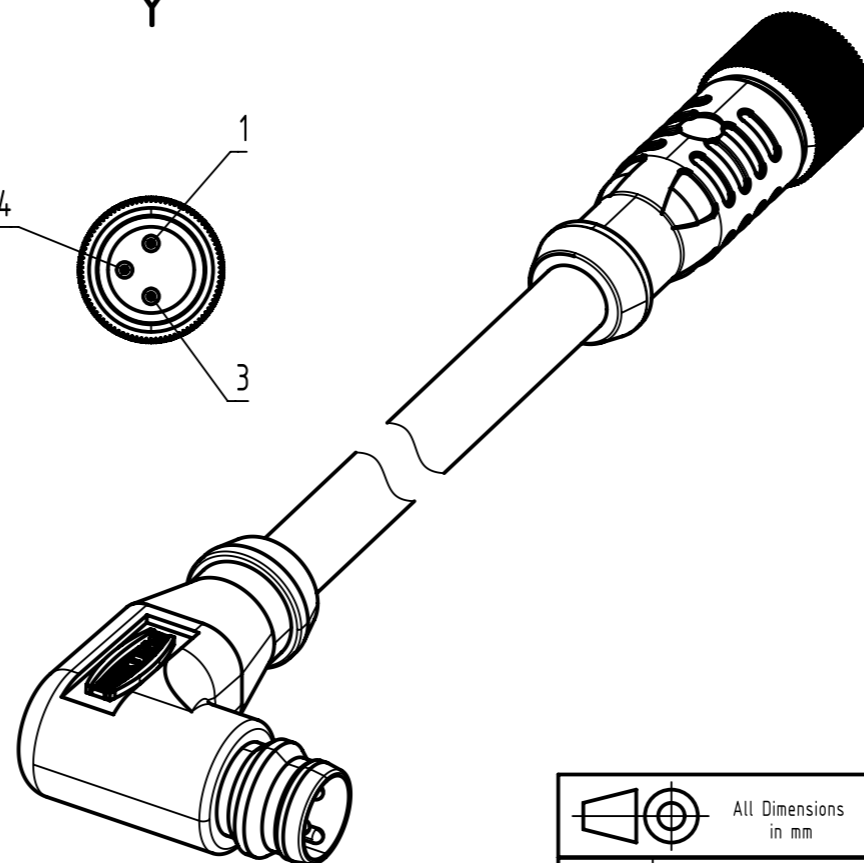
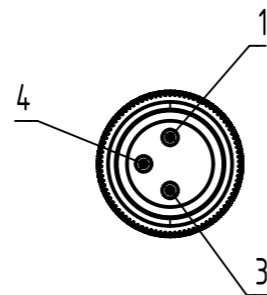
X

Y

Loading-Plan:



- 1 — Brown — 1
- 3 — Blue — 3
- 4 — Black — 4



6.0 to 100	±1%
0.6 to 5.9	+0.04
0.2 to 0.5	+0.02
a [m]	Tolerance

length in "1m" step	100	XXX=000
	99	XXX=990

	12	XXX=120
	11	XXX=110
length in "0.1m" step	10	XXX=100
	9.9	XXX=099
	9.8	XXX=098

	0.5	XXX=005
	0.4	XXX=004
	0.3	XXX=003
	0.2	XXX=002
Step	a [m]	XXX

3x0.25mm ² , PUR, black	2136D3D5328XXX
Type of cable	Part no.

- Protection level: IP 65
- Temperature range: -40°C...+85°C

	All Dimensions in mm	Tech. Character.		Free size tol.		According to production drawing	
	All rights reserved	Created by MUNTEANV Muntean	Inspected by MUNTEANV Muntean	Standardisation MUNTEANV Muntean	Date 2018-06-08	State Final Release	
Department HCS - RO		Title M8 Cable Assembly				Doc-Key / ECM-Nr. 100710200/UGD/000/C 500000136135	
HARTING Customised Solutions D-32339 Espelkamp		Type TB	Number 2136D3D5328XXX			Rev. C	Page 1/1