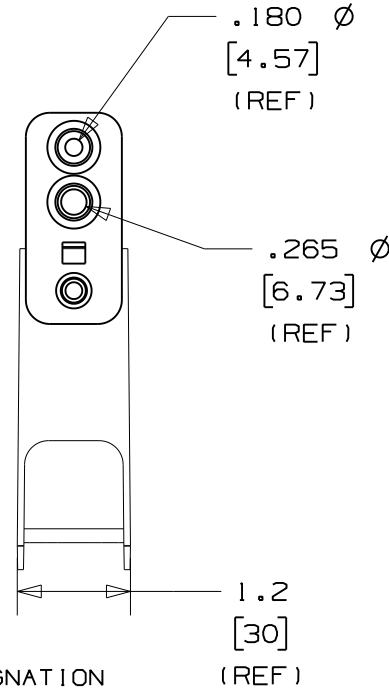
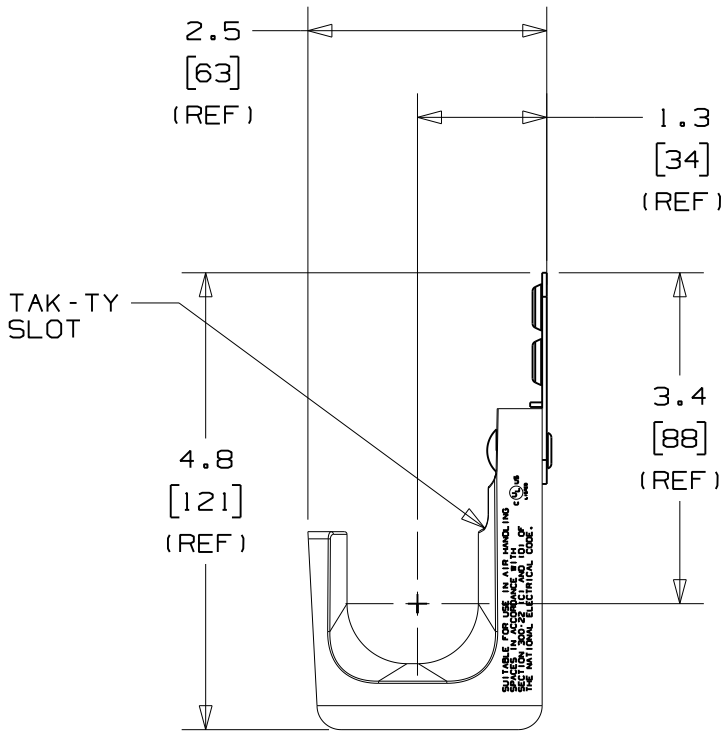
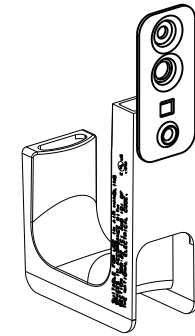


THIS COPY IS PROVIDED ON A RESTRICTED BASIS AND IS NOT TO BE USED IN ANY WAY DETRIMENTAL TO THE INTERESTS OF PANDUIT CORP.



PANDUIT PART NO.	WEIGHT lbs 10 (g) pcs
JP131WP2B- ---	1.68 (762)



NOTES:

- SEE CURRENT PRICE SHEET FOR PART NUMBER SUFFIX DESIGNATION FOR PACKAGE SIZE AND PRODUCT COLOR.
- HOOK MATERIAL: NYLON 6/6
PLATE MATERIAL: PRE-GALVANIZED STEEL
RIVET MATERIAL: ALUMINUM
- PRODUCT IS DESIGNED TO SUPPORT A MAXIMUM OF 1 5/16" (33.34) DIAMETER BUNDLE. MAXIMUM RECOMMENDED STATIC LOAD: 25 lbs.
- PRODUCT INCORPORATES FEATURES ALLOWING USER TO RETAIN CABLE BUNDLES IN J-PRO J-HOOK WITH TAK-TY CABLE TIES UP TO 3/4" WIDE.
- PRODUCT MARKINGS:
cULus logo and statement:
"SUITABLE FOR USE IN AIR HANDLING SPACES IN ACCORDANCE WITH SECTION 300-22 (C) & (D) OF THE NATIONAL ELECTRIC CODE."
"FOR USE INDOORS"
ULC logo and statement:
"IN ACCORDANCE WITH CAN/ULC S-102.2-10 MOUNTED IN SINGLE UNITS OR PAIRS, MINIMUM SPACING 4 ft (1220mm) BETWEEN MOUNT POINTS FSR=0, SDC=35."

TITLE
J-PRO J-HOOK WITH PLATE FOR
POWDER ACTUATED FASTENERS
(JP131WP2B- ---)
CONTROL DRAWING

ITEM REVISION NAME 121031AF/00		PANDUIT TM
DATASET FILE NAME 121031AF_DC_C11005/00A		
UNLESS OTHERWISE SPECIFIED, DIMENSIONAL TOLERANCES ARE: IN (mm) .x : .1 (2.54) .xxx : .005 (0.127) .xx : .01 (0.25) ANGLES : 5 °		MATERIAL: SEE NOTE 2
DRAWN BY: DBLA DATE: 10/28/2012 CHK: KLN SCALE: NONE		DRAWING NUMBER: C11005
THIRD ANGLE PROJECTION		SHT 1 OF 1
REV		SIZE A

00	10/28/2012	DBLA	GGC	KLN	INITIAL RELEASE	GAECN00224
REV	DATE	BY	CHK	APR	DESCRIPTION	ECN

D101000A/12