

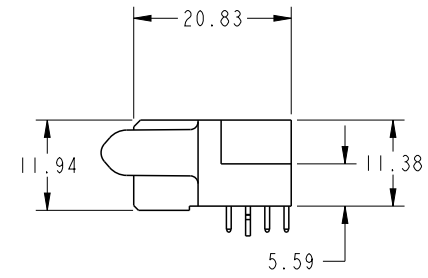
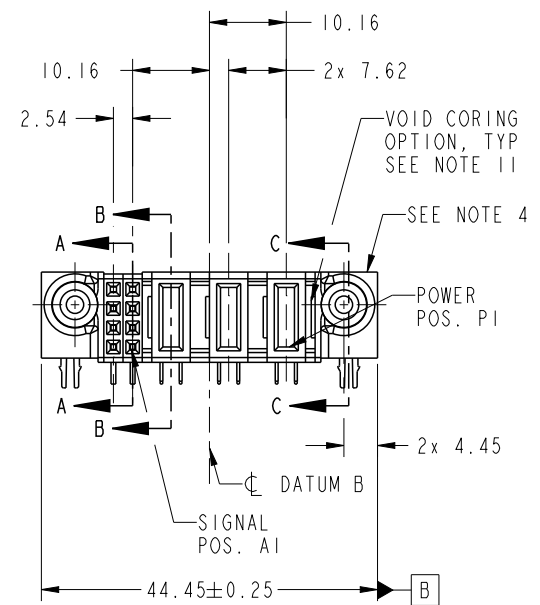
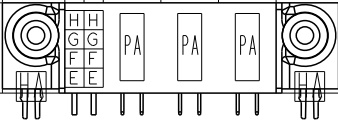
1

2

3

4

PRODUCT NO. 51915-471-- NOTE 3	ROWS D C B A	SIGNAL POWER					
		E2	z	1	P3	P2	P1



CODE	DIM "M" MATING LENGTH	CONTACT TYPE
PA	[1.07]	POWER
H	[N/A]	SIGNAL
G	[N/A]	SIGNAL
F	[N/A]	SIGNAL
E	[N/A]	SIGNAL
HA	[N/A]	HOLD-DOWN



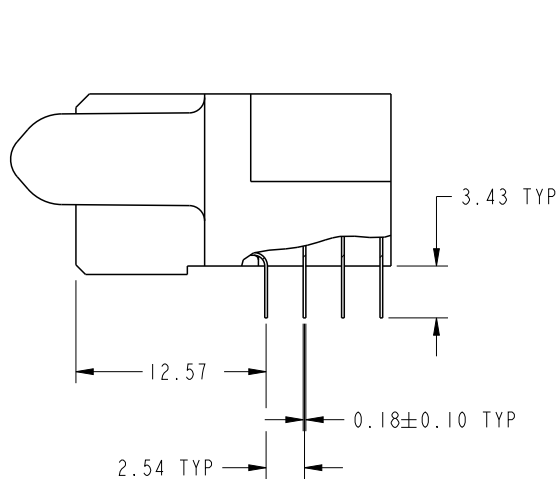
Copyright FCI.

spec ref	SEE NOTES			dr	De-Ming Lu	2014/11/18	projection 	MM ←→	size	A4	scale	1:1	
tolerance std	TOLERANCES UNLESS OTHERWISE SPECIFIED			eng	De-Ming Lu	2014/11/25			ecn no	-			
SEE NOTES				chr	-	-							
surface	linear	0.X	±0.50	appr	Pei-Ming Zheng	2014/11/25	product family	PwrBlade	rel level	Released			
		0.XX	±0.25	 www.fci.com			title	3ACP + 8S		dwg no	51915-471	rev	A
		0.XXX	±0.10				cat. no.	Product - Customer Drw					
	angular	0°	±2°										

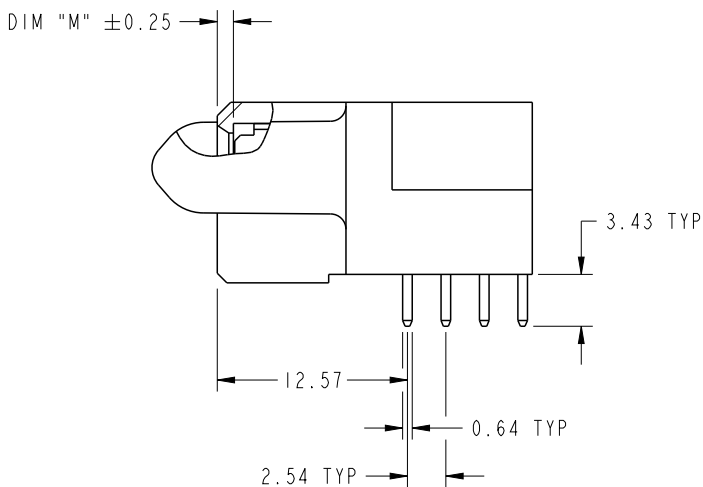
PrdE File - REV C - 2009-06-09

PRODUCT NUMBER

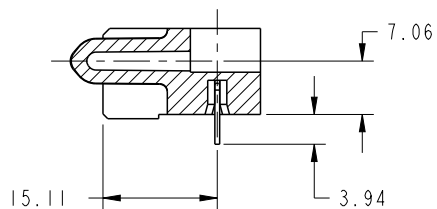
51915-471 --
NOTE 3



BROKEN-OUT SECTION A-A
SCALE 2:1



BROKEN-OUT SECTION B-B
SCALE 2:1

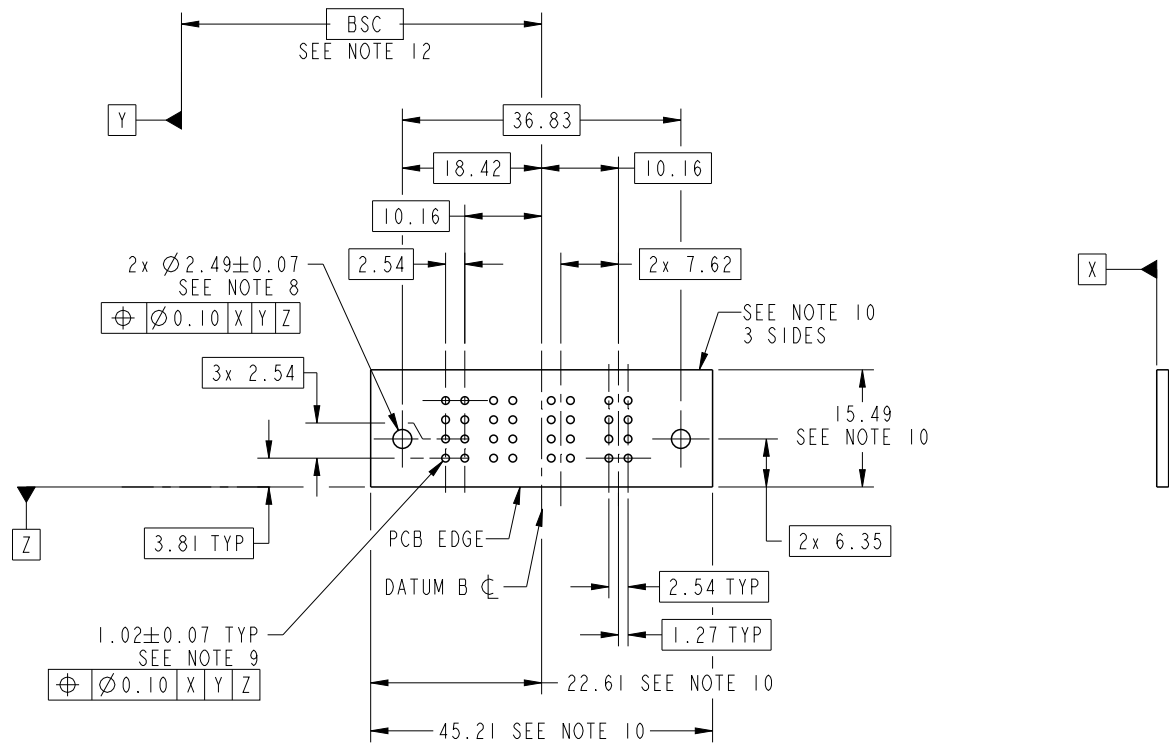


SECTION C-C

dr	De-Ming Lu	2014/11/18	projection 	MM 	size	A4	scale	1:1
eng	De-Ming Lu	2014/11/25			ecn no	-		
chr	-	-			rel level	Released		
appr	Pei-Ming Zheng	2014/11/25	product family	PwrBlade	rev	A		
		title 3ACP + 8S R/A SOLDER RECEPTACLE	dwg no 51915-471	cat. no. Product - Customer Drw	sheet 2 of 4			

PRODUCT NUMBER

51915-471__
NOTE 3



RECOMMENDED PCB LAYOUT



Copyright FCI.

dr	De-Ming Lu	2014/11/18	projection 	MM 	size	A4	scale	1:1
eng	De-Ming Lu	2014/11/25			ecn no	-		
chr	-	-			rel level	Released		
appr	Pei-Ming Zheng	2014/11/25	product family	PwrBlade	rev	A		
		title 3ACP + 8S R/A SOLDER RECEPTACLE	dwg no 51915-471	cat. no. Product - Customer Drw	sheet 3 of 4			

PrdE File - REV C - 2009-06-09

PRODUCT NUMBER

51915-471--
NOTE 3

NOTES:

1. DIMENSIONS AND TOLERANCES ARE IN ACCORDANCE WITH ASME Y14.5M, 1994 UNLESS OTHERWISE SPECIFIED.

CONNECTOR NOTES:

- 2. HOUSING MATERIAL: UL 94 V-0 GLASS FILLED HIGH-TEMP THERMOPLASTIC
POWER CONTACT MATERIAL: COPPER ALLOY
SIGNAL PIN MATERIAL: COPPER ALLOY
- 3. SEE ITEM 5 & 6 IN PRINT 10064183 FOR PLATING SPEC OF 51915-471 AND 51915-471LF RESPECTIVELY.
- 4. MANUFACTURER'S NAME, DATE CODE AND OPTIONAL P/N TO APPEAR ON THIS SURFACE. THE MARK CAN BE OMITTED IF THERE IS NOT ENOUGH SPACE ON THIS SURFACE.
- 5. PRODUCT SPECIFICATION GS-12-149.
APPLICATION SPECIFICATION BUS-20-067.
- 6. PACKAGED IN TRAYS.

PCB NOTES:

- 7. ALL HOLE DIAMETERS ARE FINISHED HOLE SIZE.
- 8. MOUNTING HOLES, WHERE APPLICABLE, ARE UNPLATED.
- 9. $\varnothing 1.151 \pm 0.025$ DRILLED HOLES PLATED WITH
0.008 MIN SnPb OR Sn OVER 0.03
TO 0.08 Cu PLATING TO ACHIEVE
 $\varnothing 1.02 \pm .07$ HOLE.
- 10. CONNECTOR KEEP-OUT ZONE.
- 11. THE VOID CORING IN BETWEEN POWER MODULES, SIGNAL MODULES AND END MODULES ARE OPTIONAL AND THE SHAPE MAY BE DIFFERENT FOR OPTIMIZE THE MOLDING PROCESS. THE VOID CORING WILL NOT EFFECT TO PRODUCT FUNCTION.

12. DATUM AND BASIC DIMENSIONS ARE ESTABLISHED BY CUSTOMER.

dr	De-Ming Lu	2014/11/18	projection 	MM 	size	A4	scale	1:1
eng	De-Ming Lu	2014/11/25			ecn no	-		
chr	-	-			rel level	Released		
appr	Pei-Ming Zheng	2014/11/25	product family	PwrBlade	rev	51915-471	A	
		title	3ACP + 8S R/A SOLDER RECEPTACLE		cat. no.	Product - Customer Drw	sheet 4 of 4	
www.fci.com								



Copyright FCI.