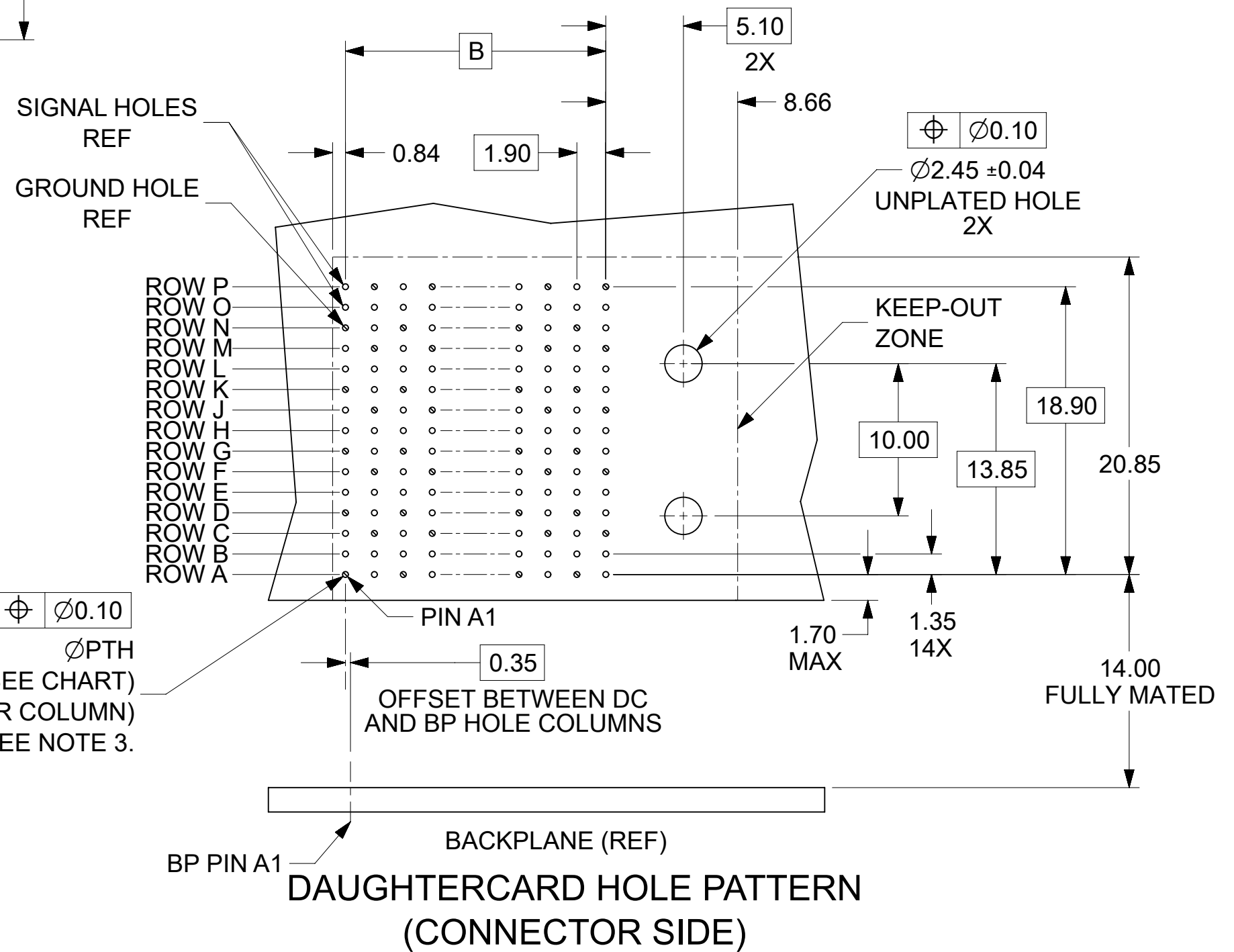
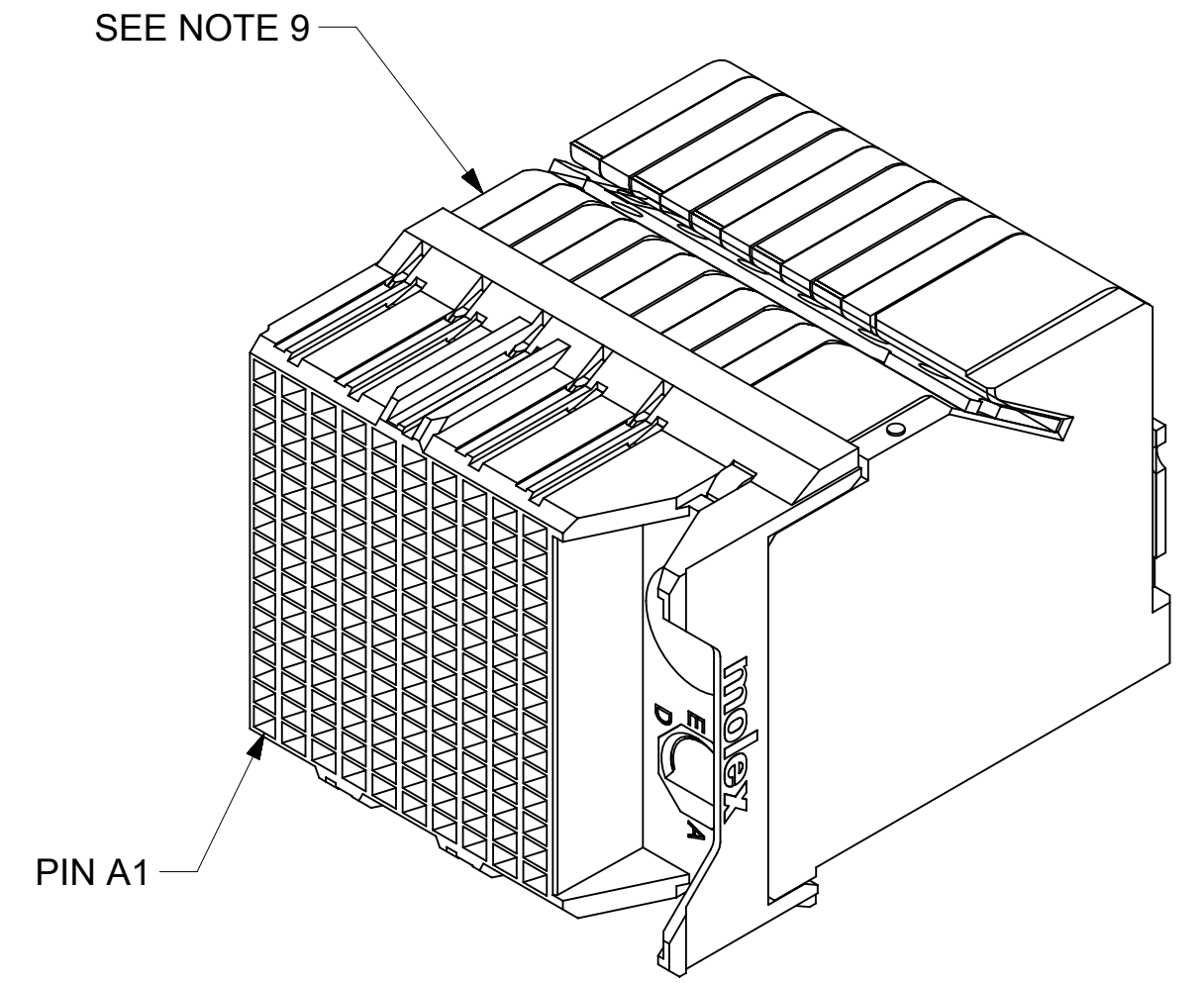
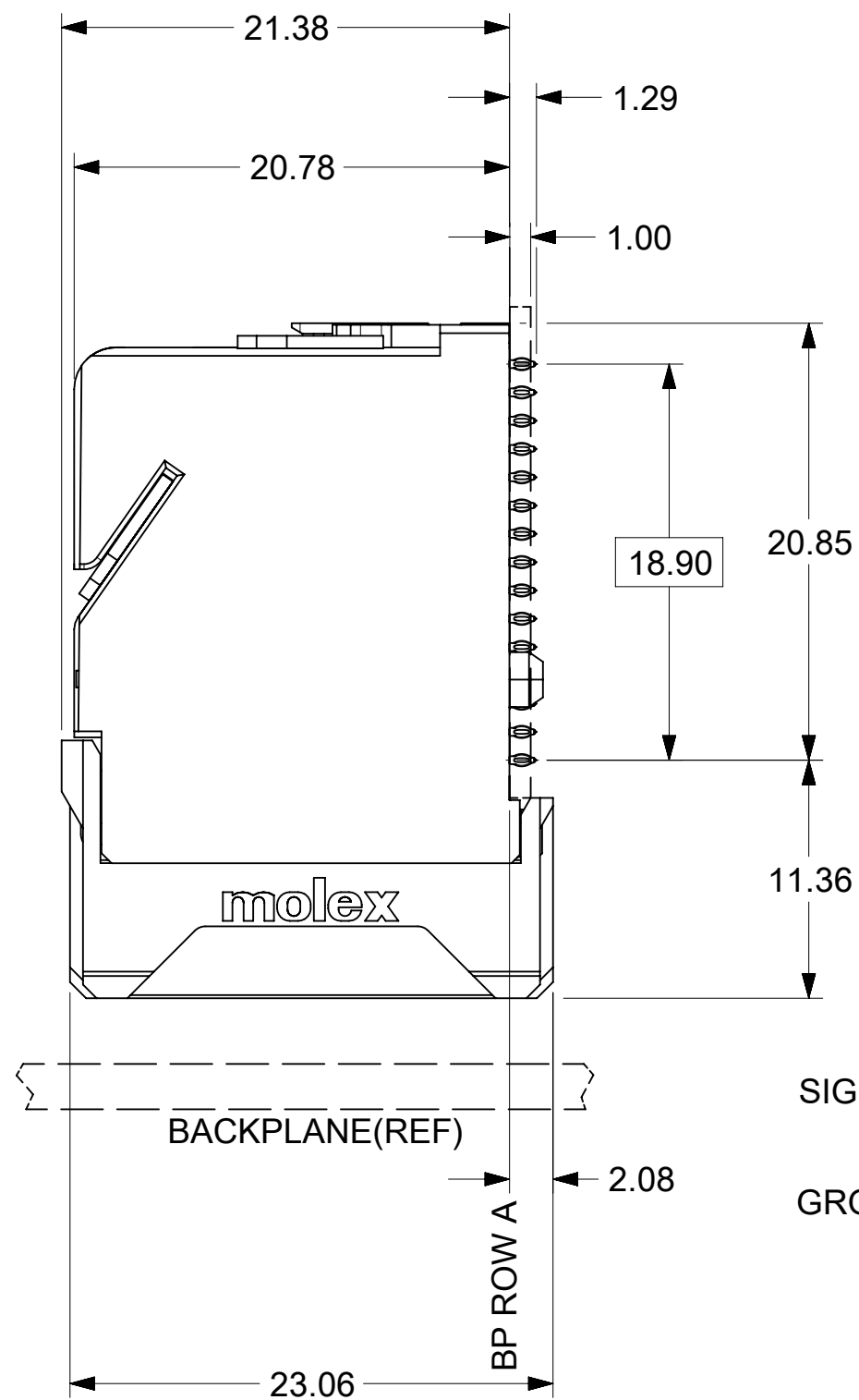


KEY SHOWN IN POSITION "A"



NOTES:

1. MATERIALS: HOUSING - LIQUID CRYSTAL POLYMER (LCP), GLASS-FILLED, UL94V-0
TERMINALS - HIGH PERFORMANCE COPPER ALLOY
2. FINISH: 30µIN MIN SELECTIVE GOLD IN CONTACT AREA, SELECTIVE TIN
ON PCB TAILS. NICKEL OVERALL.
3. REFER TO MOLEX PRODUCT SPEC PS-76060-999 FOR PERFORMANCE SPECIFICATIONS
AND ADDITIONAL PCB INFORMATION.
4. EACH SIGNAL WAFER CONTAINS 2 COLUMNS OF TERMINALS.
5. PRODUCT IS PACKAGED PER PK-70873-611.
6. THIS PART CONFORMS TO CLASS B REQUIREMENTS OF COSMETIC SPEC PS-45499-002.
7. REFER TO MOLEX SALES DRAWING SD-76055-003 FOR THE MATING HEADERS.
8. REFER TO MOLEX PCB MOUNTING GUIDE AS 76060-990 FOR ANTIPAD AND ROUTING
RECOMMENDATIONS.
9. PART NUMBER 76060-5120 SHOWN ON DRAWING. KEYING FEATURES WILL CHANGE
WITH COLUMN SIZE.
10. MINIMUM BOARD THICKNESS IS 1.00 mm FOR COMPLIANT PIN FUNCTIONALITY.
11. WHEN USING MOLEX SUPPLIED #2-32 SCREW 73726-0000 (9.50mm ±0.38
THREADABLE SCREW LENGTH), THE MAXIMUM BOARD THICKNESS IS 4.4mm.
12. MARKING: LOCATED APPROXIMATELY AS SHOWN. PART NUMBER AND DATE CODE.

THIS DRAWING CONTAINS INFORMATION THAT IS PROPRIETARY TO MOLEX ELECTRONIC TECHNOLOGIES, LLC AND SHOULD NOT BE USED WITHOUT WRITTEN PERMISSION

DIMENSION UNITS		SCALE		CURRENT REV DESC: REMASTERED TO NX			
mm		NTS					
GENERAL TOLERANCES (UNLESS SPECIFIED)							
ANGULAR TOL		± 0.5°		EC NO: 705090		2021/09/27	
4 PLACES		±		DRWN: SKANDB		2022/02/17	
3 PLACES		±		CHK'D: VINODM3		2022/05/13	
2 PLACES		± 0.13		APPR: LZENG		2022/07/11	
1 PLACE		± 0.25		INITIAL REVISION:		2007/07/11	
0 PLACES		±		DRWN: MCARRANZA		2007/07/11	
APPR: JLAURX				2007/07/11			
DRAFT WHERE APPLICABLE MUST REMAIN WITHIN DIMENSIONS		THIRD ANGLE PROJECTION		DRAWING		SERIES	
				C-SIZE		76060	
DOCUMENT STATUS		P1		RELEASE DATE		2022/05/13 03:06:32	
SD-76060-004		PSD		001		K	
MATERIAL NUMBER		CUSTOMER		SHEET NUMBER			
SEE TABLE		GENERAL MARKET		1 OF 2			

MATERIAL NUMBER	# OF COLUMNS	# OF DIFF PAIR	DIM "A" MAX	DIM "B"	PTHØ
76060-***0	10	50	26.60	17.10	0.46 ±0.05
76060-***2	12	60	30.40	20.90	
76060-***4	14	70	34.20	24.70	
76060-***6	16	80	38.00	28.50	
76060-***0	10	50	26.60	17.10	0.39 ±0.05
76060-***2	12	60	30.40	20.90	
76060-***4	14	70	34.20	24.70	
76060-***6	16	80	38.00	28.50	

76060-****

MODULE & TAIL PLATING TYPE
5 = RIGHT GUIDED LEAD-FREE

POLARIZATION KEY ORIENTATION

- 0 = NO KEY
 1 = A 5 = E
 2 = B 6 = F
 3 = C 7 = G
 4 = D 8 = H

- # OF COLUMNS
 10 = 10 COL 0.46 PTH
 12 = 12 COL 0.46 PTH
 14 = 14 COL 0.46 PTH
 16 = 16 COL 0.46 PTH
 20 = 10 COL 0.39 PTH
 22 = 12 COL 0.39 PTH
 24 = 14 COL 0.39 PTH
 26 = 16 COL 0.39 PTH

THIS DRAWING CONTAINS INFORMATION THAT IS PROPRIETARY TO MOLEX ELECTRONIC TECHNOLOGIES, LLC AND SHOULD NOT BE USED WITHOUT WRITTEN PERMISSION											
DIMENSION UNITS		SCALE		CURRENT REV DESC: REMASTERED TO NX			molex				
mm		NTS									
GENERAL TOLERANCES (UNLESS SPECIFIED)				EC NO: 705090 DRWN: SKANDB 2021/09/27 CHK'D: VINODM3 2022/02/17 APPR: LZENG 2022/05/13 INITIAL REVISION: DRWN: JLAURX 2008/06/12 APPR: JLAURX 2010/11/04			IMPACT 100 OHM DC 5 PAIR SIGNAL MODULE GUIDE RIGHT SALES DWG				
		MM	INCH				PRODUCT CUSTOMER DRAWING				
4 PLACES	±		±								
3 PLACES	±		±								
2 PLACES	±	0.13	±								
1 PLACE	±	0.25	±								
0 PLACES	±		±								
ANGULAR TOL ± 0.5 °							DOCUMENT NUMBER		DOC TYPE	DOC PART	REVISION
DRAFT WHERE APPLICABLE MUST REMAIN WITHIN DIMENSIONS				THIRD ANGLE PROJECTION		DRAWING	SERIES	MATERIAL NUMBER	CUSTOMER	SHEET NUMBER	
						C-SIZE	76060	SEE TABLE	GENERAL MARKET	2 OF 2	
							SD-76060-004		PSD	001	K

DOCUMENT STATUS	P1	RELEASE DATE	2022/05/13	03:06:32
-----------------	----	--------------	------------	----------