

## specifications

Drawers shall be constructed of steel material. Drawers shall have built-in bend radius control clips. Drawers shall have removable top cover to provide easy access to splices and cable storage.



## technical information

<b>Dimensions:</b>	<b>FMD1:</b> 19.00"W × 1.77"H × 15.33"D (482.60mm × 44.9mm × 389.5mm), 1 RU
	<b>FMD2:</b> 19.00"W × 3.48"H × 15.40"D (482.60mm × 88.3mm × 391.2mm), 2 RU

## key features and benefits

<b>Drawers</b>	Provides installer with several options to route cable within the rack
<b>Removable rear tray cover</b>	Provides easy access to splices and cable storage
<b>Pitch panel mounting</b>	Hardware provided to allow patch panel to be preassembled to unit before mounting to rack
<b>Works with all Panduit® Opticom® Fiber Optic Cassettes and Fiber Adapter Panels</b>	Provides versatility and flexibility with a fully modular solution for a variety of pre-terminated installations, FAP and field termination, and splicing installations. Works with all Panduit LC, SC, ST and MPO fiber adapter panels

## applications

Panduit® Opticom® Drawers are designed to manage and organize fiber distribution in areas where space is limited. They can also be used to manage cable from outside the facility.

Enclosures can be used as an interconnector cross-connect in any telecommunications room and can use any standard FAP series adapter panel. Opticom® Drawers are completely modular and can manage both fiber and copper cables.

### Opticom® Drawers

<b>Up to 48 fibers:</b>	FMD1
<b>Up to 96 fibers:</b>	FMD2

### LC Adapter Panels

<b>OM3/OM4 6 Duplex LC:</b>	FAP6WAQDLCZ
<b>OM3/OM4 12 Duplex LC:</b>	FAP12WAQDLCZ
<b>OS1/OS2 6 Duplex LC:</b>	FAP6WBUDLCZ
<b>OS1/OS2 12 Duplex LC:</b>	FAP12WBUDLCZ
<b>APC 6 Duplex LC:</b>	FAP6WAGDLCZ
<b>APC 12 Duplex LC:</b>	FAP12WAGDLCZ

### Adapter Panels

<b>6-port modular panel:</b>	FMP6
<b>Blank panel:</b>	FAPB

### ST Adapter Panels

<b>6 simplex ST:</b>	FAP6WSTZ
<b>8 simplex ST:</b>	FAP8WSTZ

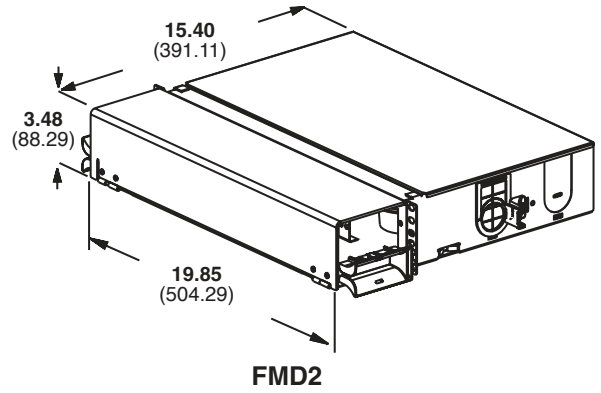
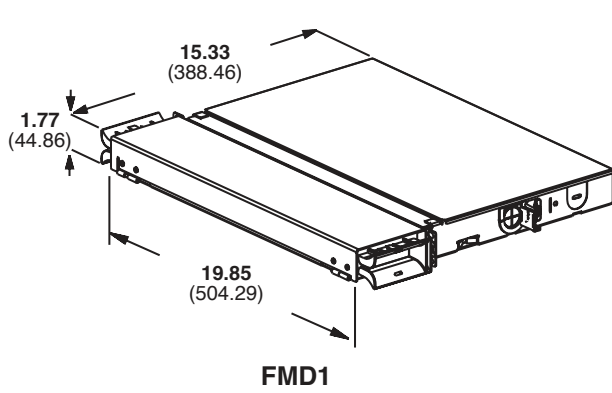
### SC Adapter Panels

<b>OM3/OM4 3 DUPLEX SC:</b>	FAP3WAQDSCZ
<b>OM3/OM4 6 DUPLEX SC:</b>	FAP6WAQDSCZ
<b>OS1/OS2 3 DUPLEX SC:</b>	FAP3WBUDSCZ
<b>OS1/OS2 6 DUPLEX SC:</b>	FAP6WBUDSCZ
<b>APC 3 DUPLEX SC:</b>	FAP3WAGDSCZ
<b>APC 6 DUPLEX SC:</b>	FAP6WAGDSCZ

### Opticom® Patch/Splice Kits

<b>Splice tray:</b>	FOSMF
Protects up to 24 fusion and 144 ribbon splices	
<b>Splice tray:</b>	FOSMM
Protects up to 12 mechanical splices	

## Opticom Drawers Detail



Dimensions are in inches. (Dimensions in parentheses are metric).

### WORLDWIDE SUBSIDIARIES AND SALES OFFICES

PANDUIT US/CANADA  
Phone: 800.777.3300

PANDUIT EUROPE LTD.  
London, UK  
Phone: 44.20.8601.7200

PANDUIT SINGAPORE PTE. LTD.  
Republic of Singapore  
Phone: 65.6305.7575

PANDUIT JAPAN  
Tokyo, Japan  
Phone: 81.3.6863.6000

PANDUIT LATIN AMERICA  
Guadalajara, Mexico  
Phone: 52.33.3777.6000

PANDUIT AUSTRALIA PTY. LTD.  
Victoria, Australia  
Phone: 61.3.9794.9020

For a copy of Panduit product warranties, log on to [www.panduit.com/warranty](http://www.panduit.com/warranty)



For more information  
**Visit us at [www.panduit.com](http://www.panduit.com)**  
 Contact Customer Service by email: [cs@panduit.com](mailto:cs@panduit.com)  
 or by phone: 800.777.3300

© 2022 Panduit Corp.  
 ALL RIGHTS RESERVED.  
 FBSP122--WW-ENG  
 7/2022