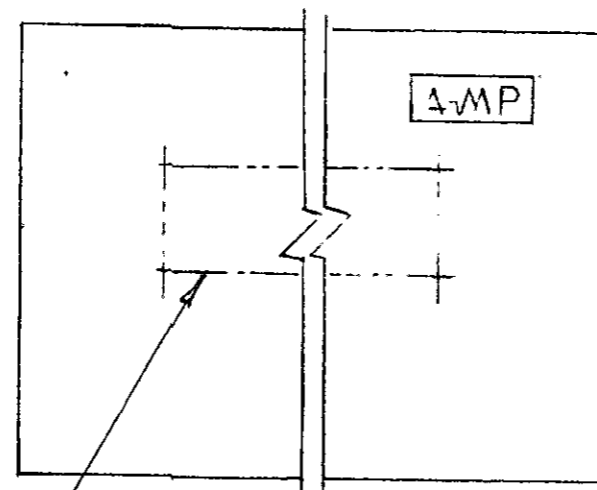
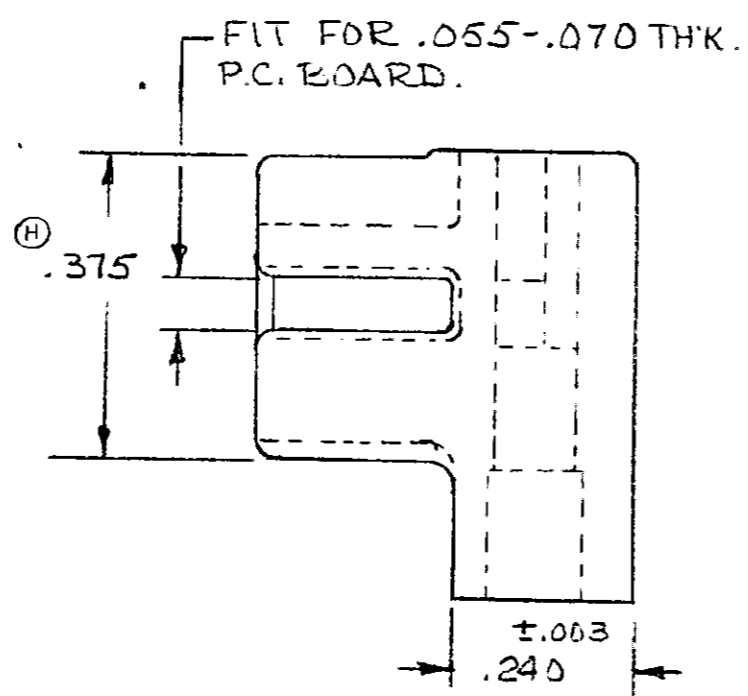
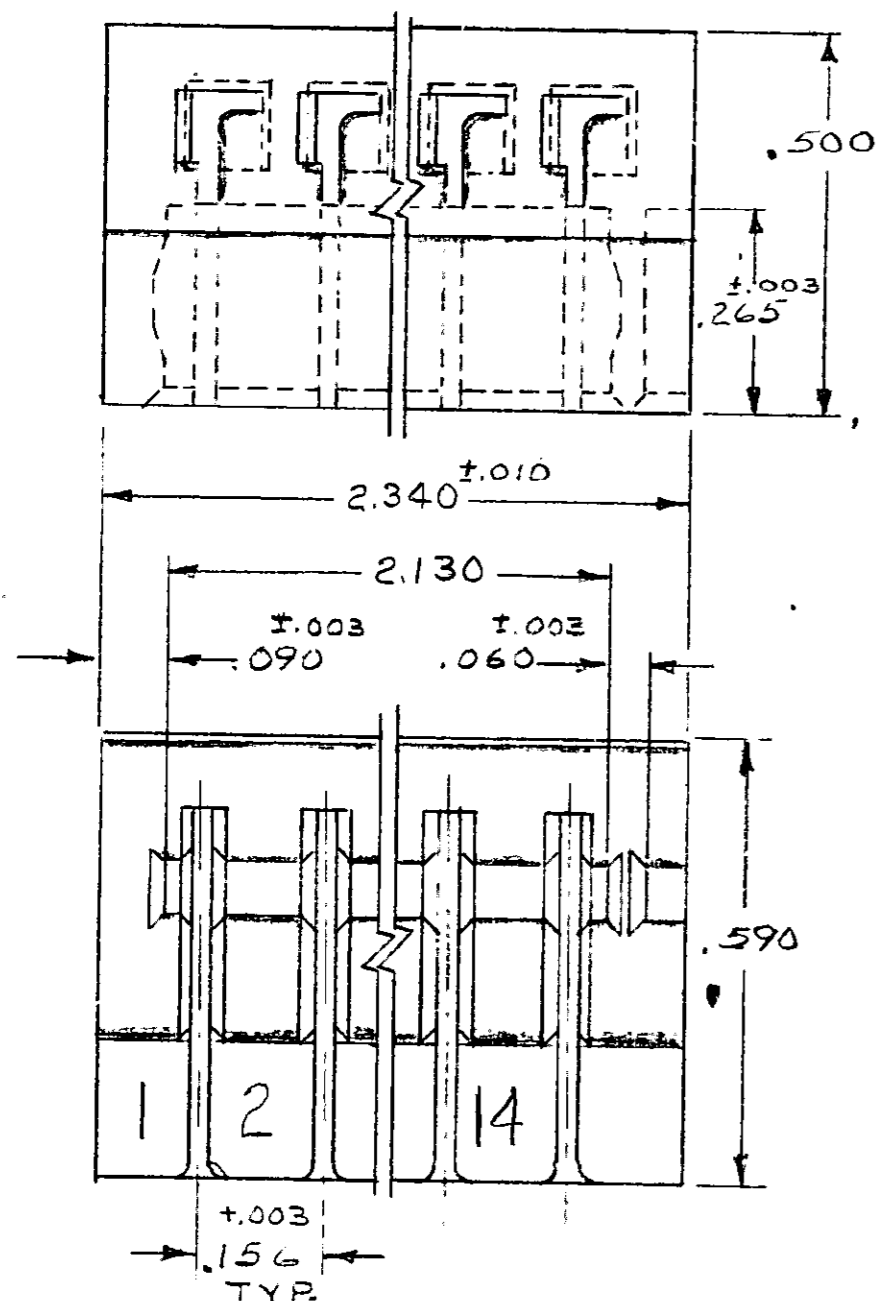


© 1962 BY AMP INCORPORATED. ALL RIGHTS RESERVED. AMP PRODUCTS COVERED BY PATENTS AND OR PATENTS PENDING.

REVISIONS				
ZONE	LTR	DESCRIPTION	DATE	APPROVED
	L2	REVISED PER ECO-13-014539	13SEP13	MM

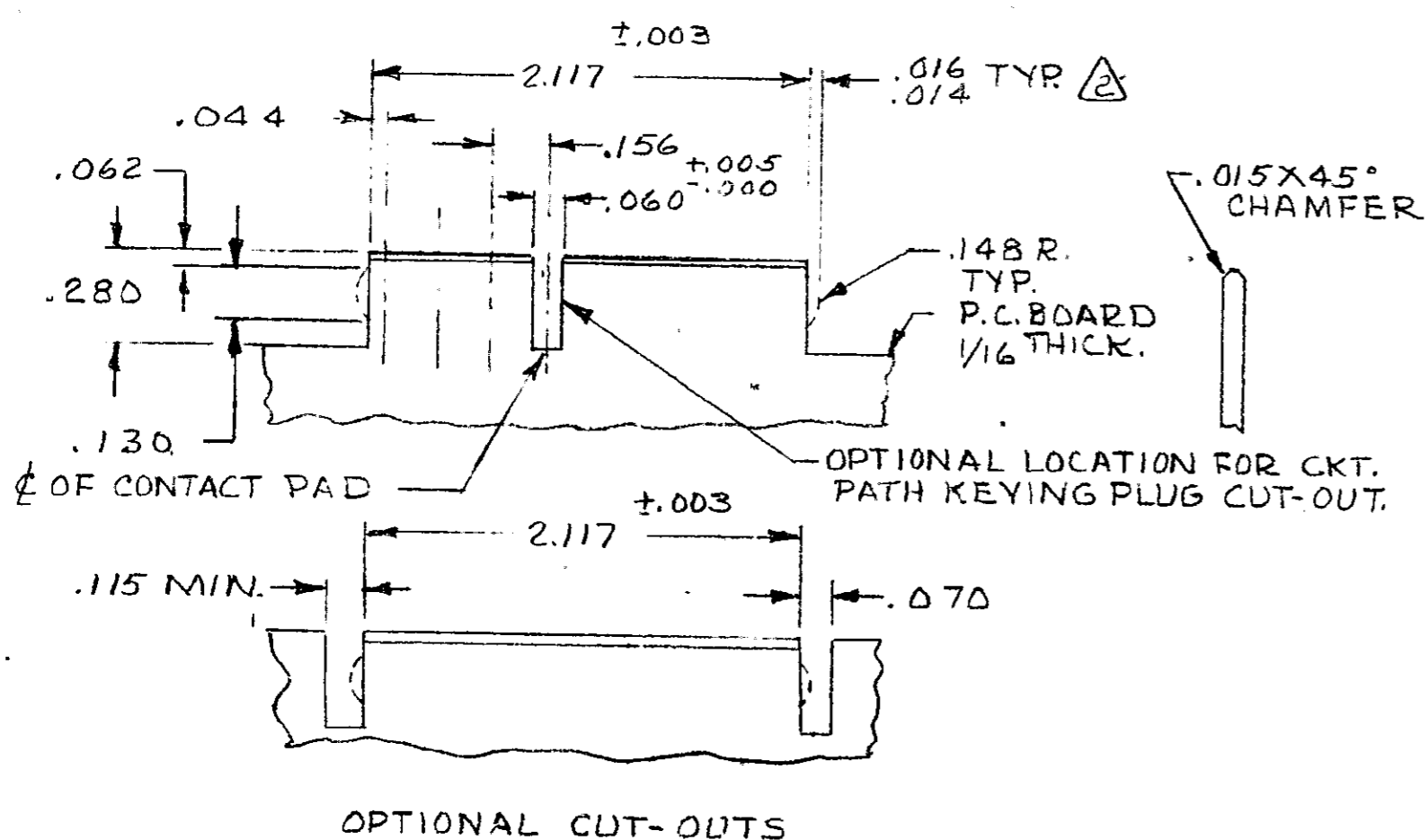
PART NO	COLOR
582372-1	BROWN
582372-2	RED
582372-3	ORANGE
582372-4	YELLOW
582372-5	GREEN
582372-6	BLUE
582372-7	VIOLET
582372-8	GRAY
582372-9	NATURAL
582372-0	BLACK

OBSOLETE



PART NO. & DATE CODE MARKED OR MOLDED IN THIS AREA, DATE CODE (OPTIONAL)

1. REFER TO 60215 & 583284 FOR TERMINAL  
2. THE RETAINING DIMPLES ARE OPTIONAL IN BOTH CUT-OUTS.



NUMBER 582372

UNLESS OTHERWISE SPECIFIED, DIMENSIONS ARE IN INCHES TOLERANCES ON: DECIMALS ±.005 ANGLES ±	CONTRACT NO.	<b>STE</b> TE Connectivity		
	DR <i>W. P. ...</i> 2-9-72 CHK <i>J. S. Heide</i> 2-21-72 APPD <i>Dr. Bushey</i> 2-22-72 REL <i>R. Skuman</i> 2-22-72			
MATERIAL NYLON	DSGN APPD	SIZE C	CODE IDENT NO. 00779	NUMBER 582372
	OTHER APPD	SCALE 1-1		REV L2
				SHEET 1 OF 1