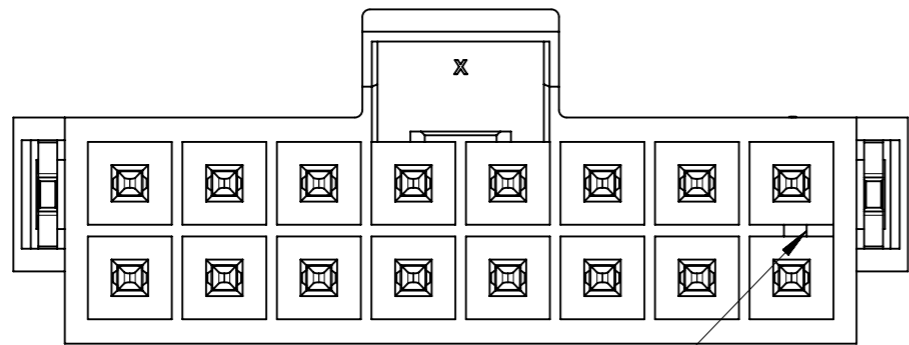


RECOMMENDED PCB(CONNECTOR SIDE VIEW)
THICKNESS=1.6 TO 2.4 MM

FUNCTIONAL SYMBOLS	THIS DRAWING CONTAINS INFORMATION THAT IS PROPRIETARY TO MOLEX ELECTRONIC TECHNOLOGIES, LLC AND SHOULD NOT BE USED WITHOUT WRITTEN PERMISSION		CURRENT REV DESC:		molex
	GENERAL TOLERANCES (UNLESS SPECIFIED)	ANGULAR TOL $\pm 3.0^\circ$	EC NO: 697101		
DIVISIONAL SYMBOLS	4 PLACES \pm	3 PLACES ± 0.1	2 PLACES ± 0.2	1 PLACE ± 0.3	PRODUCT CUSTOMER DRAWING
	INITIAL REVISION:				DOCUMENT NUMBER
	DRWN: GLLI				2019/09/24
	APPR: YXZHENG				2020/03/16
	DRAFT WHERE APPLICABLE MUST REMAIN WITHIN DIMENSIONS				THIRD ANGLE PROJECTION
DIMENSION UNITS		SCALE	DRAWING		SERIES
mm		5:1	A3-SIZE		105312
MATERIAL NUMBER			CUSTOMER		SHEET NUMBER
1053121000-SD			GENERAL MARKET		1 OF 5

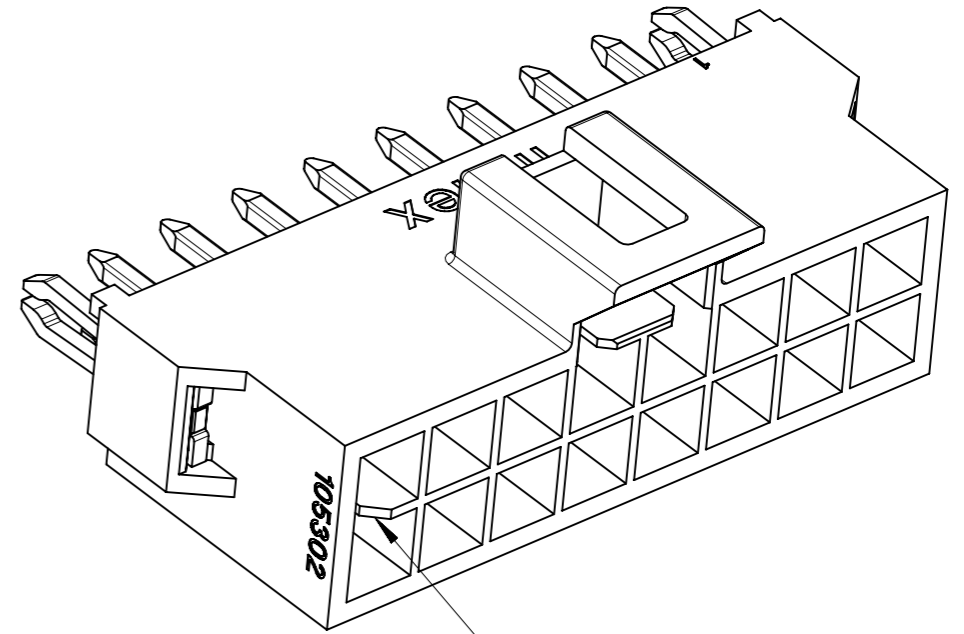


KEY A

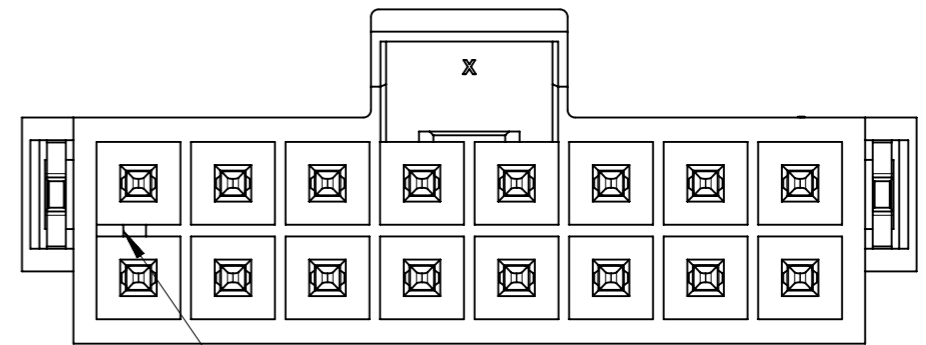


KEY A

BLACK



KEY B



KEY B

NATURAL

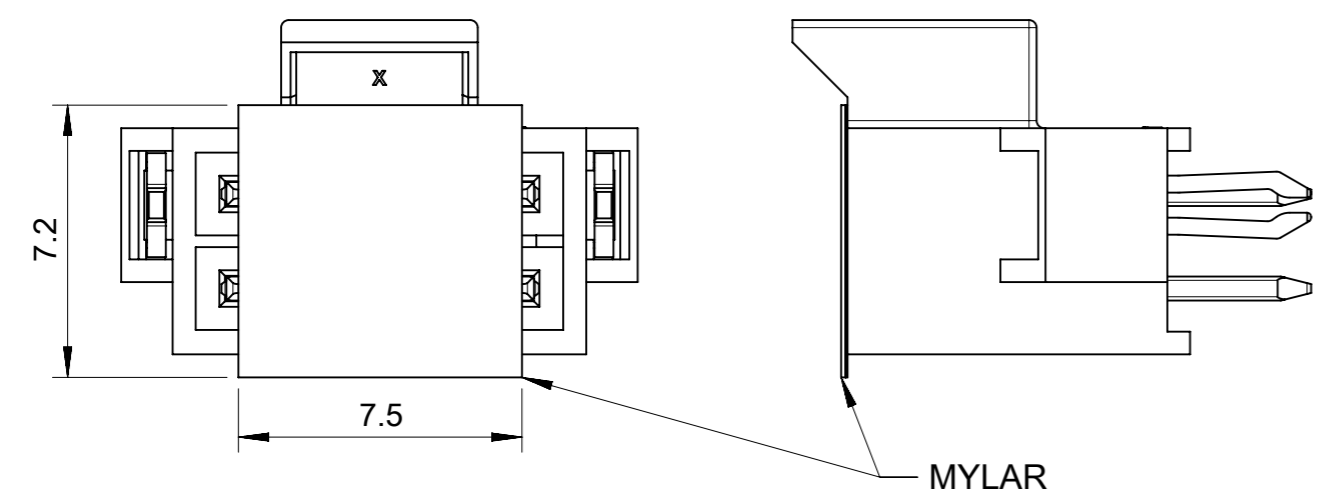
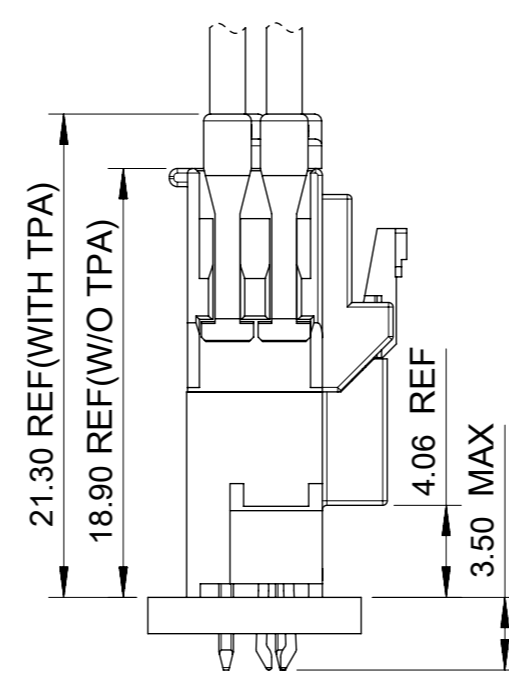
COLOR OPTION

FUNCTIONAL SYMBOLS	THIS DRAWING CONTAINS INFORMATION THAT IS PROPRIETARY TO MOLEX ELECTRONIC TECHNOLOGIES, LLC AND SHOULD NOT BE USED WITHOUT WRITTEN PERMISSION		CURRENT REV DESC:		molex					
	▽A = 0	mm						5:1		
DIVISIONAL SYMBOLS	GENERAL TOLERANCES (UNLESS SPECIFIED)		EC NO: 697101 DRWN: GLLI CHK'D: XQZHANG APPR: XQZHANG INITIAL REVISION: DRWN: GLLI APPR: YXZHENG		HEADER OF NANO-FIT, D/R, CLIP, VERTICAL POWER CONNECTOR					
	▽E = 0	ANGULAR TOL ± 3.0°						PRODUCT CUSTOMER DRAWING		
	▽F = 0	4 PLACES			±	2022/02/24	DOC TYPE			
		3 PLACES			±	2022/02/25	1053121000-SD	PSD	000	B1
		2 PLACES			±	2022/02/25	DOCUMENT NUMBER	CUSTOMER	SHEET NUMBER	
	1 PLACE	±	0.3	2019/09/24	GENERAL MARKET	2 OF 5				
	0 PLACES	±		2020/03/16						
	DRAFT WHERE APPLICABLE MUST REMAIN WITHIN DIMENSIONS		THIRD ANGLE PROJECTION	DRAWING	SERIES	MATERIAL NUMBER				
				A3-SIZE	105312					

DOCUMENT STATUS	P1	RELEASE DATE	2022/02/25	03:08:44
-----------------	----	--------------	------------	----------

	10	9	8	7	6	5	4	3	2	1					
	PART NUMBER	DIM 'A'	DIM 'B'	DIM 'C'	CKT SIZE	PLATING	MYLAR								
F	105312-3504	8.66	5.94	6.84	4	TIN									
	105312-3506	11.16	8.44	9.34	6										
	105312-3508	13.66	10.94	11.84	8										
105312-3510	16.16	13.44	14.34	10											
105312-3512	18.66	15.94	16.84	12											
105312-3514	21.16	18.44	19.34	14											
105312-3516	23.66	20.94	21.84	16											
E	105312-3704	8.66	5.94	6.84	4						GOLD 0.38				
	105312-3706	11.16	8.44	9.34	6										
	105312-3708	13.66	10.94	11.84	8										
	105312-3710	16.16	13.44	14.34	10										
	105312-3712	18.66	15.94	16.84	12										
105312-3714	21.16	18.44	19.34	14											
105312-3716	23.66	20.94	21.84	16											
D	105312-3604	8.66	5.94	6.84	4	GOLD 0.76									
	105312-3606	11.16	8.44	9.34	6										
	105312-3608	13.66	10.94	11.84	8										
	105312-3610	16.16	13.44	14.34	10										
	105312-3612	18.66	15.94	16.84	12										
	105312-3614	21.16	18.44	19.34	14										
	105312-3616	23.66	20.94	21.84	16										
C	105312-3804	8.66	5.94	6.84	4						GOLD 0.76 + LUBE				
	105312-3806	11.16	8.44	9.34	6										
	105312-3808	13.66	10.94	11.84	8										
	105312-3810	16.16	13.44	14.34	10										
	105312-3812	18.66	15.94	16.84	12										
	105312-3814	21.16	18.44	19.34	14										
105312-3816	23.66	20.94	21.84	16											
COLOR: BLACK															

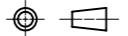
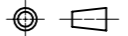
	10	9	8	7	6	5	4	3	2	1						
	PART NUMBER	DIM 'A'	DIM 'B'	DIM 'C'	CKT SIZE	PLATING	MYLAR									
F	105312-4504	8.66	5.94	6.84	4	TIN										
	105312-4506	11.16	8.44	9.34	6											
	105312-4508	13.66	10.94	11.84	8											
	105312-4510	16.16	13.44	14.34	10											
	105312-4512	18.66	15.94	16.84	12											
	105312-4514	21.16	18.44	19.34	14											
	105312-4516	23.66	20.94	21.84	16											
	E	105312-4704	8.66	5.94	6.84						4	GOLD 0.38				
		105312-4706	11.16	8.44	9.34						6					
		105312-4708	13.66	10.94	11.84						8					
105312-4710		16.16	13.44	14.34	10											
105312-4712		18.66	15.94	16.84	12											
105312-4714		21.16	18.44	19.34	14											
D	105312-4716	23.66	20.94	21.84	16	GOLD 0.76										
	105312-4604	8.66	5.94	6.84	4											
	105312-4606	11.16	8.44	9.34	6											
	105312-4608	13.66	10.94	11.84	8											
	105312-4610	16.16	13.44	14.34	10											
	105312-4612	18.66	15.94	16.84	12											
	105312-4614	21.16	18.44	19.34	14											
	105312-4616	23.66	20.94	21.84	16											
	C	105312-4804	8.66	5.94	6.84						4	GOLD 0.76 + LUBE				
		105312-4806	11.16	8.44	9.34						6					
105312-4808		13.66	10.94	11.84	8											
105312-4810		16.16	13.44	14.34	10											
105312-4812		18.66	15.94	16.84	12											
105312-4814		21.16	18.44	19.34	14											
105312-4816	23.66	20.94	21.84	16												
COLOR: NATURAL																



FUNCTIONAL SYMBOLS	THIS DRAWING CONTAINS INFORMATION THAT IS PROPRIETARY TO MOLEX ELECTRONIC TECHNOLOGIES, LLC AND SHOULD NOT BE USED WITHOUT WRITTEN PERMISSION	CURRENT REV DESC:		molex							
	<table border="1"> <tr> <th>DIMENSION UNITS</th> <th>SCALE</th> </tr> <tr> <td>mm</td> <td>5:1</td> </tr> </table>	DIMENSION UNITS	SCALE					mm	5:1	GENERAL TOLERANCES (UNLESS SPECIFIED)	
	DIMENSION UNITS	SCALE									
	mm	5:1									
	ANGULAR TOL ± 3.0°		4 PLACES ±								
DIVISIONAL SYMBOLS	EC NO: 697101		2022/02/24		PRODUCT CUSTOMER DRAWING						
	DRWN: GLLI		2022/02/25								
	CHK'D: XQZHANG		2022/02/25		DOCUMENT NUMBER: 1053121000-SD						
	APPR: XQZHANG		2022/02/25								
	INITIAL REVISION:		2019/09/24		DOC TYPE: PSD		DOC PART: 000		REVISION: B1		
DRWN: GLLI		2020/03/16		MATERIAL NUMBER: 105312		CUSTOMER: GENERAL MARKET		SHEET NUMBER: 3 OF 5			
APPR: YXZHENG		THIRD ANGLE PROJECTION		DRAWING: A3-SIZE		SERIES: 105312					
DRAFT WHERE APPLICABLE MUST REMAIN WITHIN DIMENSIONS											

DOCUMENT STATUS	P1	RELEASE DATE	2022/02/25	03:08:44
-----------------	----	--------------	------------	----------

		4 CKT	6 CKT	8 CKT	10 CKT
F	BLACK				
E	NATURAL				
		12 CKT	14 CKT	16 CKT	
D	BLACK				
C	NATURAL				

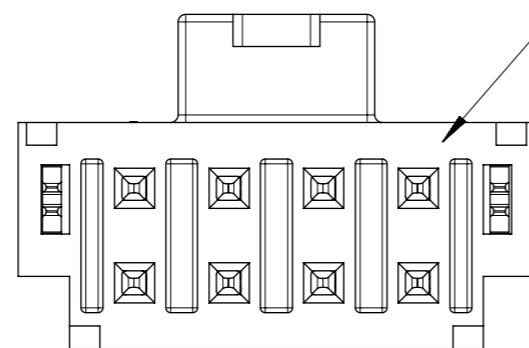
FUNCTIONAL SYMBOLS $\nabla_A = 0$ $\nabla_E = 0$ $\nabla_V = 0$	THIS DRAWING CONTAINS INFORMATION THAT IS PROPRIETARY TO MOLEX ELECTRONIC TECHNOLOGIES, LLC AND SHOULD NOT BE USED WITHOUT WRITTEN PERMISSION DIMENSION UNITS: mm SCALE: 3:1	CURRENT REV DESC: EC NO: 697101 DRWN: GLLI CHK'D: XQZHANG APPR: XQZHANG INITIAL REVISION: DRWN: GLLI APPR: YXZHENG	 HEADER OF NANO-FIT, D/R, CLIP, VERTICAL POWER CONNECTOR		
	GENERAL TOLERANCES (UNLESS SPECIFIED) ANGULAR TOL $\pm 3.0^\circ$ 4 PLACES \pm 3 PLACES ± 0.1 2 PLACES ± 0.2 1 PLACE ± 0.3 0 PLACES \pm				
DIVISIONAL SYMBOLS DRAFT WHERE APPLICABLE MUST REMAIN WITHIN DIMENSIONS	THIRD ANGLE PROJECTION 	DRAWING: A3-SIZE SERIES: 105312	MATERIAL NUMBER: 1053121000-SD CUSTOMER: GENERAL MARKET	DOC TYPE: PSD DOC PART: 000 REVISION: B1	SHEET NUMBER: 4 OF 5

NOTES FOR ALL PARTS

1> MATERIAL:
 HOUSING: LCP, UL 94V-0.
 TERMINAL: BRASS.
 SOLDER CLIP: BRASS.

2> PLATING FINISHED:
 TERMINAL:
 CONTACT AREA: a. REFLOW MATTE TIN 1.5MICRONS MIN;
 b. GOLD 0.38 MICRONS MIN;
 c. GOLD 0.76 MICRONS MIN.
 SOLDER AREA: MATTE TIN 1.5 MICRONS MIN, UNDER PLATING NICKEL 1.25
 MICRONS MIN.
 SOLDER CLIP: MATTE TIN 2.5 MICRONS MIN, UNDER PLATING NICKEL 1.25
 MICRONS MIN.

3> PRODUCT SPECIFICATION: PS-105300-100.
 4> PACKAGE: TAPE REEL, 1053121000-PK.
 5> PRODUCT MATE WITH SERIES OF 105308(RECEPTACLE), 105300(CRIMP TERMINAL).
 6> PARTS CONFORM TO CLASS 'B'REQUIREMENTS OF COSMETIC SPECIFICATION
 PS-45499-002.
 7> DISCOLORATION IN THE BANDOLIER PIN CARRIER AREA OF THE PIN IS INHERENT TO
 THE PLATING PROCESS AND IS DUE TO THE MASKING DEFECT OF THE CARRIER, THIS
 DISCOLORATION IS IN A NON-FUNCTION AREA OF THE PIN AND WILL NOT AFFECT
 THE PERFORMANCE OF THE HEADER ASSEMBLY.



IF ANY NUMBER MARK APPEARS ON THIS SURFACE,
 PLEASE DISREGARD IT, IT IS NO ANY FUCTION AND
 NO ANY RELATION TO PIN NUMBER, IT IS JUST FOR
 MOLDING IDENDIFICATION.

FUNCTIONAL SYMBOLS	THIS DRAWING CONTAINS INFORMATION THAT IS PROPRIETARY TO MOLEX ELECTRONIC TECHNOLOGIES, LLC AND SHOULD NOT BE USED WITHOUT WRITTEN PERMISSION		CURRENT REV DESC:		molex				
	△/A = 0	mm							SCALE 1:1
△/E = 0	GENERAL TOLERANCES (UNLESS SPECIFIED)		EC NO: 697101 DRWN: GLLI 2022/02/24 CHK'D: XQZHANG 2022/02/25 APPR: XQZHANG 2022/02/25		PRODUCT CUSTOMER DRAWING				
△/V = 0	ANGULAR TOL ± 3.0°				INITIAL REVISION:		DOCUMENT NUMBER	DOC TYPE	DOC PART
DIVISIONAL SYMBOLS	3 PLACES	± 0.1	DRWN: GLLI 2019/09/24		1053121000-SD		PSD	000	B1
	2 PLACES	± 0.2	APPR: YXZHENG 2020/03/16						
	1 PLACE	± 0.3							
	0 PLACES	±							
	DRAFT WHERE APPLICABLE MUST REMAIN WITHIN DIMENSIONS		THIRD ANGLE PROJECTION	DRAWING	SERIES	MATERIAL NUMBER	CUSTOMER	SHEET NUMBER	
				A3-SIZE	105312		GENERAL MARKET	5 OF 5	