

ITEM	PART#	DESCRIPTION	QTY	UOM
A	2053410204	PICO-LOCK 2.0 W/B REC HSG 4P	1	PC
B	2053425028	PICO-LOCK 2.0 W/B REC TERM PL AWG#20-22	4	PC
C	--	PAPER PRINTED PAPER WHITE	1	PC

FROM	TO	DESCRIPTION	COLOR
A1	--	1X20AWG DISC SR-PVC BK UL10002	BLACK
A2	--	1X20AWG DISC SR-PVC BK UL10002	BLACK
A3	--	1X20AWG DISC SR-PVC BK UL10002	BLACK
A4	--	1X20AWG DISC SR-PVC BK UL10002	BLACK

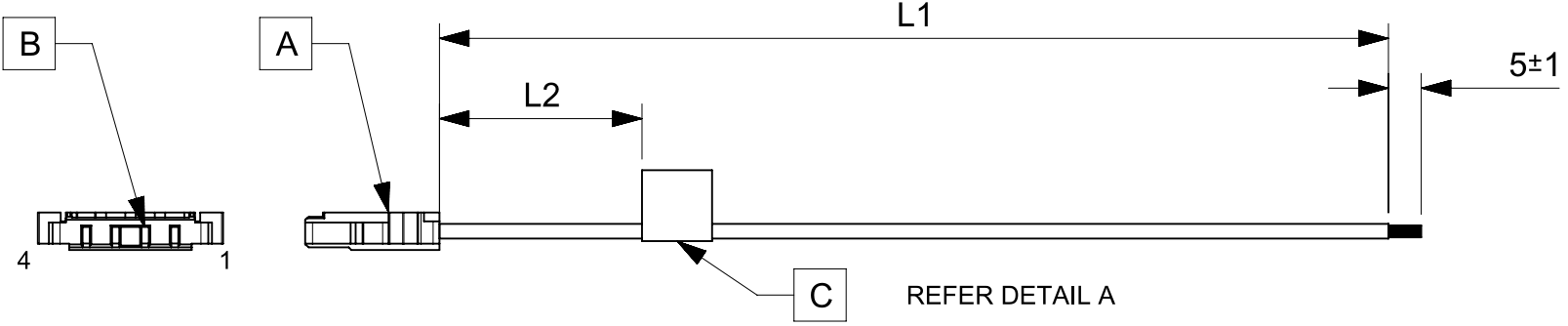


TABLE			
PART NUMBER	L1	L2 (REF)	TITLE
2196572040	50±3	15	Pico-Lock 2.0 R-S 4ckt 50mm disc Au
2196572041	100±3	15	Pico-Lock 2.0 R-S 4ckt 100mm disc Au
2196572042	150±4	15	Pico-Lock 2.0 R-S 4ckt 150mm disc Au
2196572043	300±4	15	Pico-Lock 2.0 R-S 4ckt 300mm disc Au
2196572044	600±6	15	Pico-Lock 2.0 R-S 4ckt 600mm disc Au

- NOTES**
1. Connector view shown is from mating side.
  2. Label text must be 2mm max. in height with Arial font.
  3. Label must be wrapped in Flag type on a single cable.
  4. Free ends must be stripped, twisted & tinned. The length of tinning is 5±1mm. Tinning Dia must be 1.25mm Max.

MOLEX P/N  
MOLEX  
BATCH WK/YR  
DETAIL A

REVISION			
DATE	REV	DESCRIPTION	CHANGER
2021/12/27	A	INITIAL RELEASE	SAIKIG

FUNCTIONAL SYMBOLS $\nabla_A = 0$ $\nabla_E = 0$ $\nabla_P = 0$ DIVISIONAL SYMBOLS	DIMENSION UNITS: <b>mm</b> SCALE: <b>NTS</b>		CURRENT REV DESC:					
	GENERAL TOLERANCES (UNLESS SPECIFIED)		EC NO: 690897 DRWN: SAIKIG    2021/12/27 CHK'D: MNARAYAN01    2022/01/13 APPR: MNARAYAN01    2022/01/13			SEE TABLE		
	ANGULAR TOL ± °		INITIAL REVISION:					
	4 PLACES ± 3 PLACES ± 2 PLACES ± 1 PLACE ± 0 PLACES ±		DRWN: SAIKIG    2021/12/27 APPR: MNARAYAN01    2022/01/13			PRODUCT CUSTOMER DRAWING		
DRAFT WHERE APPLICABLE MUST REMAIN WITHIN DIMENSIONS		THIRD ANGLE PROJECTION	DRAWING: <b>A4-SIZE</b>	SERIES: <b>219657</b>	DOCUMENT NUMBER: <b>2196572040</b>	DOC TYPE: <b>PSD</b>	DOC PART: <b>000</b>	REVISION: <b>A</b>