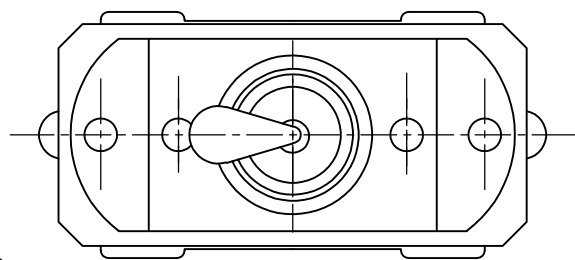
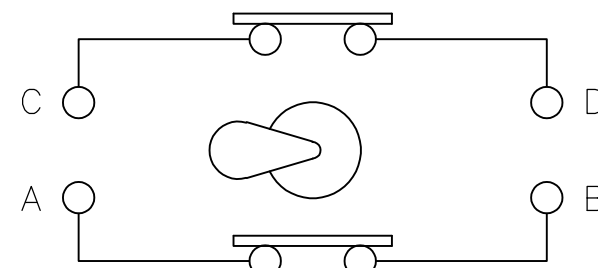


THIS DRAWING IS UNPUBLISHED. RELEASED FOR PUBLICATION
 © COPYRIGHT BY TYCO ELECTRONICS CORPORATION. ALL RIGHTS RESERVED.

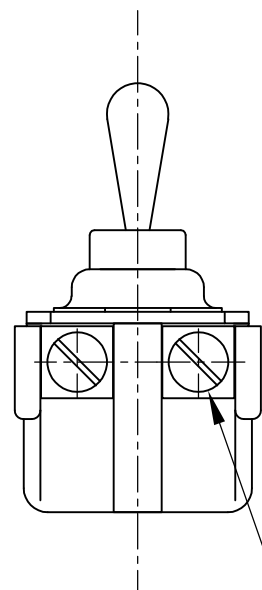
LOC	DIST	REVISIONS			
P	LTR	DESCRIPTION	DATE	DWN	APVD
AD	00	4	ECO-07-014788	25JUN2007	RB MM



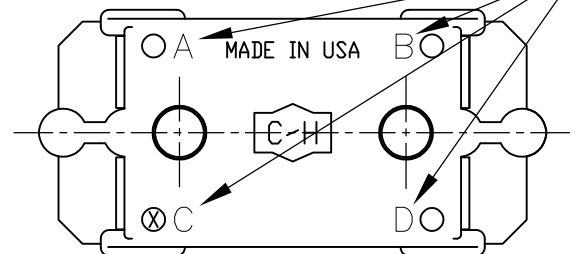
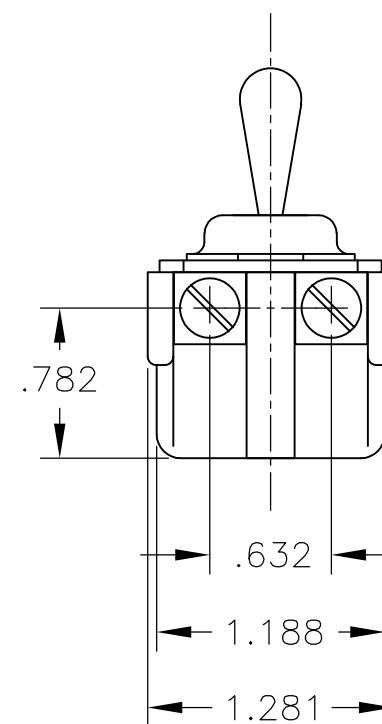
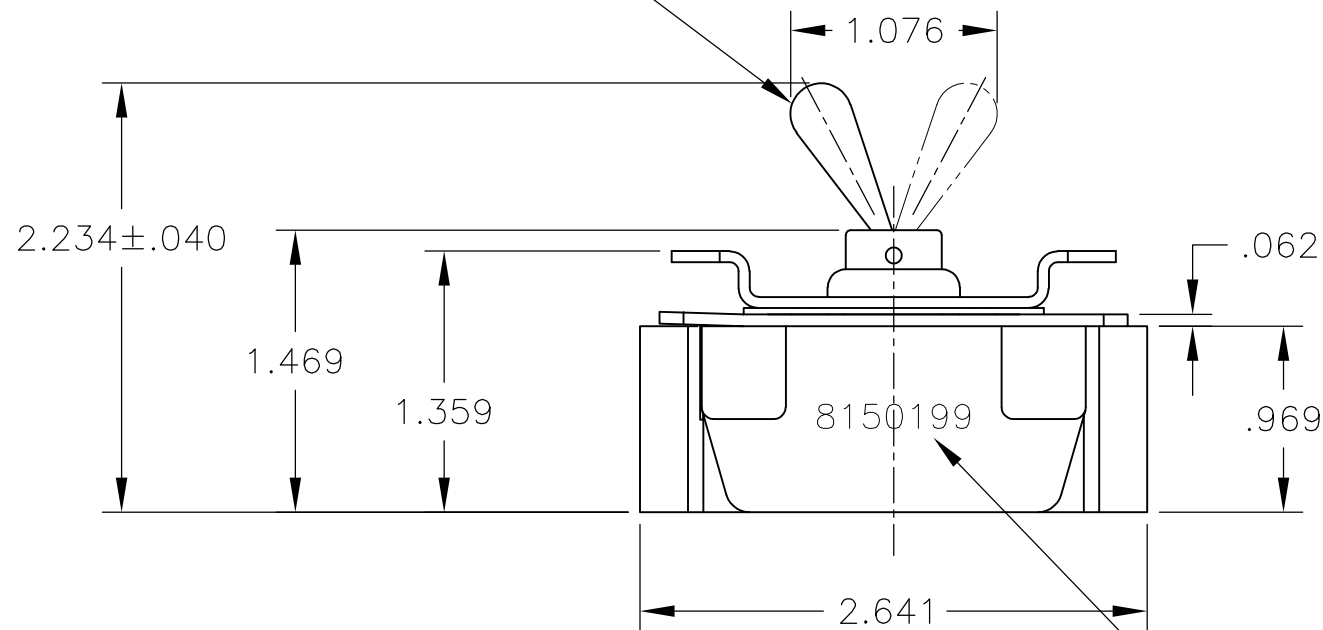
LEVER IS SHOWN
IN ON POSITION



SCHEMATIC



(4) 8-32
BINDING HEAD
SCREWS- SHIPPED
UNASSEMBLED



MARK "A", "B", "C", "D"
& CUSTOMER P/N
8150199 IN
APPROX LOCATIONS
SHOWN WITH SILVER
MARKING COMPOUND

1977063-1 AS SHOWN

THIS DRAWING IS A CONTROLLED DOCUMENT.		DWN R BROWN 21MAR2007	Tyco Electronics Corporation Harrisburg, PA 17105-3608		
DIMENSIONS: INCHES		CHK M MILLER 21MAR2007			
TOLERANCES UNLESS OTHERWISE SPECIFIED:		APVD M MILLER 21MAR2007	NAME DOUBLE POLE, 20A 250V, ONE HOLE MTD. TOOL HANDLE TOGGLE SWITCH		
0 PLC ± - 1 PLC ± - 2 PLC ± - 3 PLC ± .016 4 PLC ± - ANGLES ± -		PRODUCT SPEC -	-		
MATERIAL -		FINISH -	APPLICATION SPEC -	WEIGHT -	RESTRICTED TO -
CUSTOMER DRAWING			SIZE A3	CAGE CODE 00779	DRAWING NO C-1977063
SCALE 1:1			SHEET 1 OF 1	REV 4	