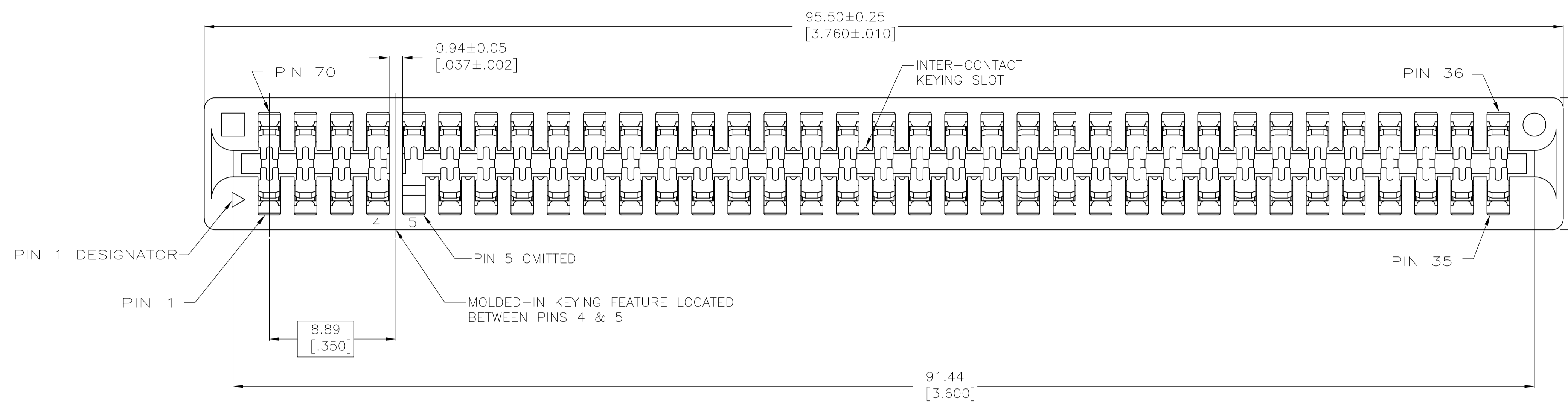
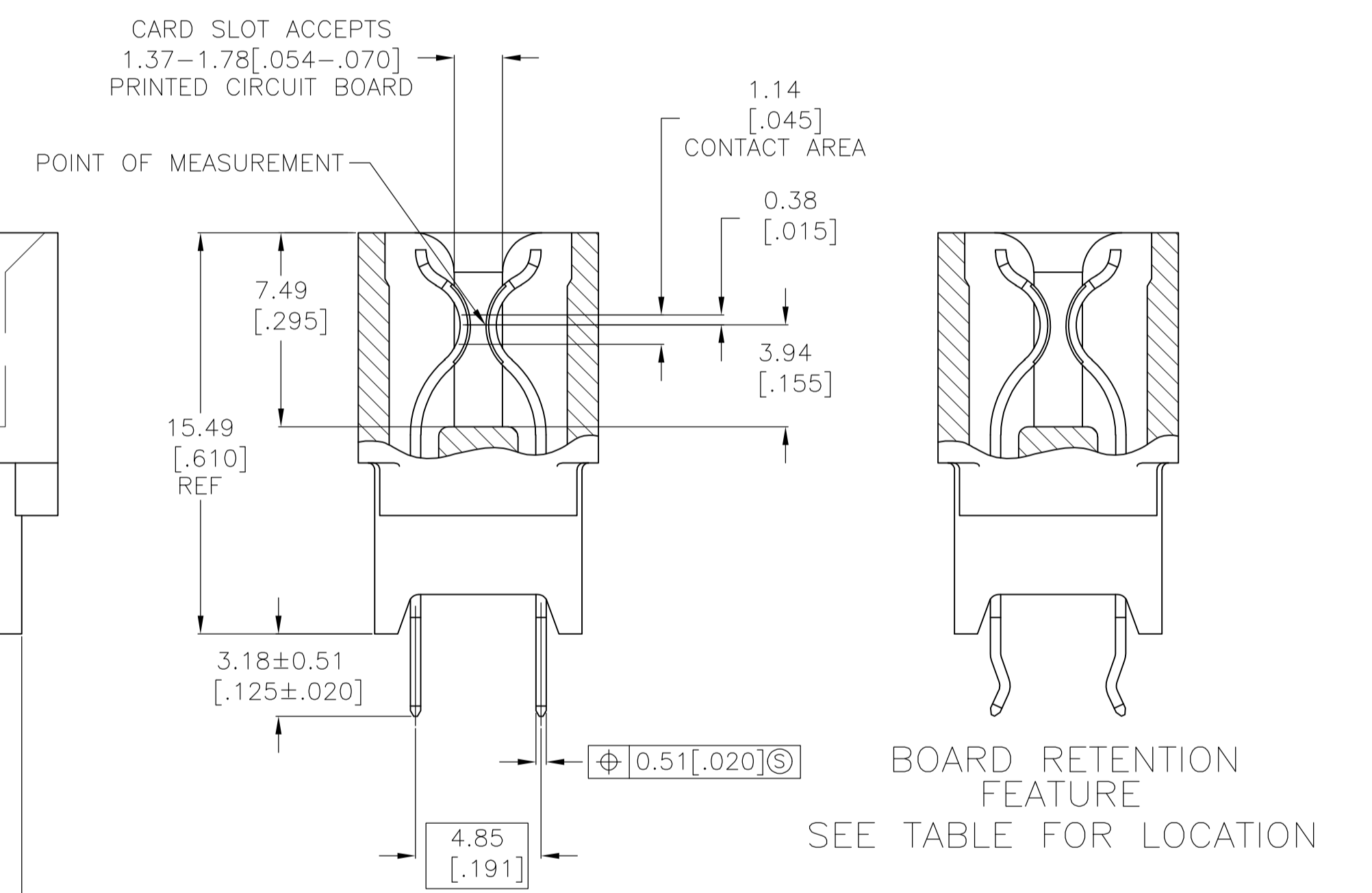
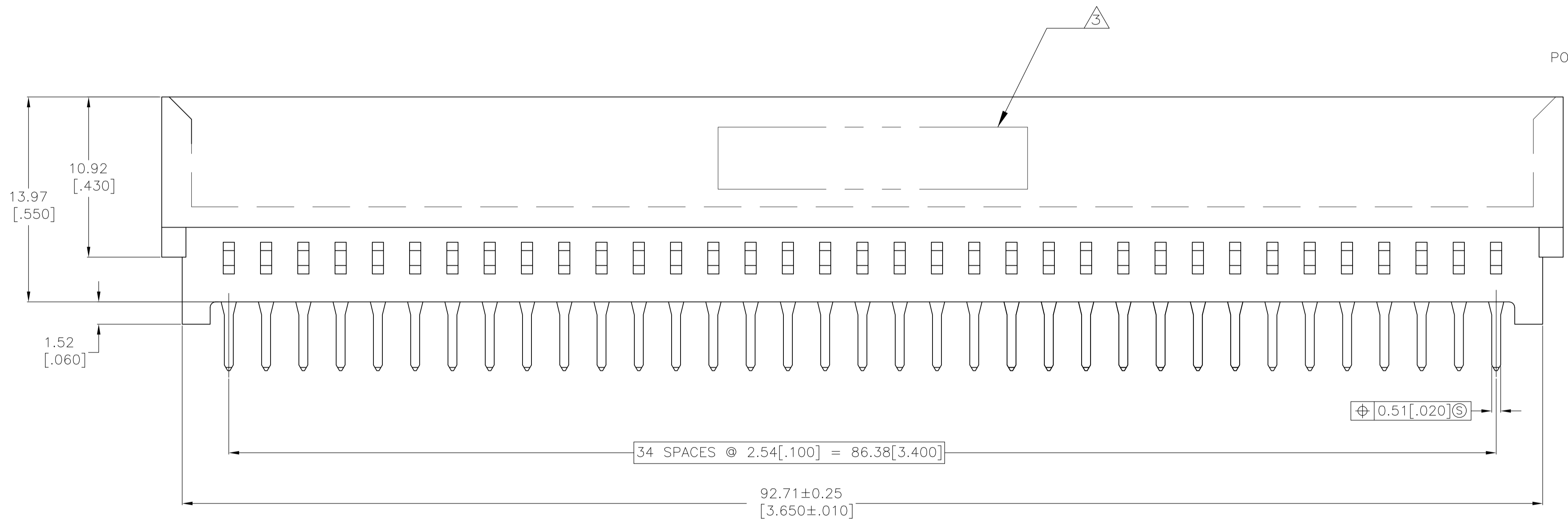


LOC		DIST		REVISIONS			
P	LTR	DESCRIPTION	DATE	DMN	APVD		
C1		REV PER ECO-09-017748	30JULY09	RG	EH		

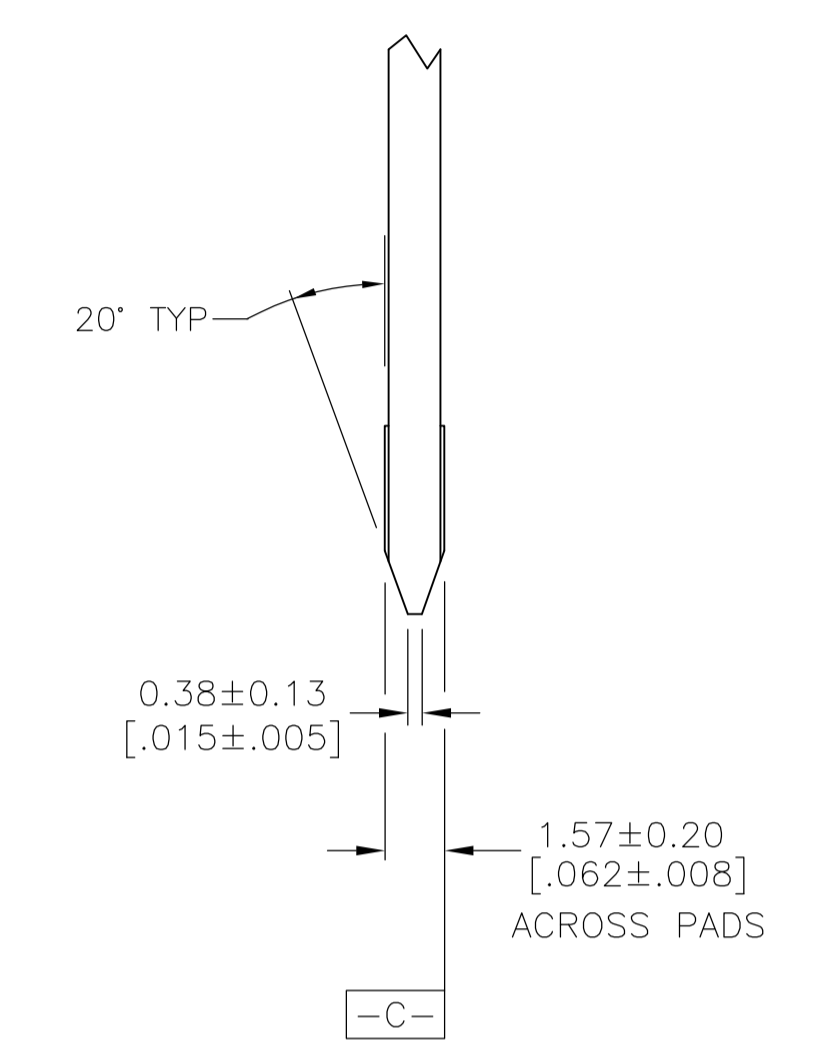
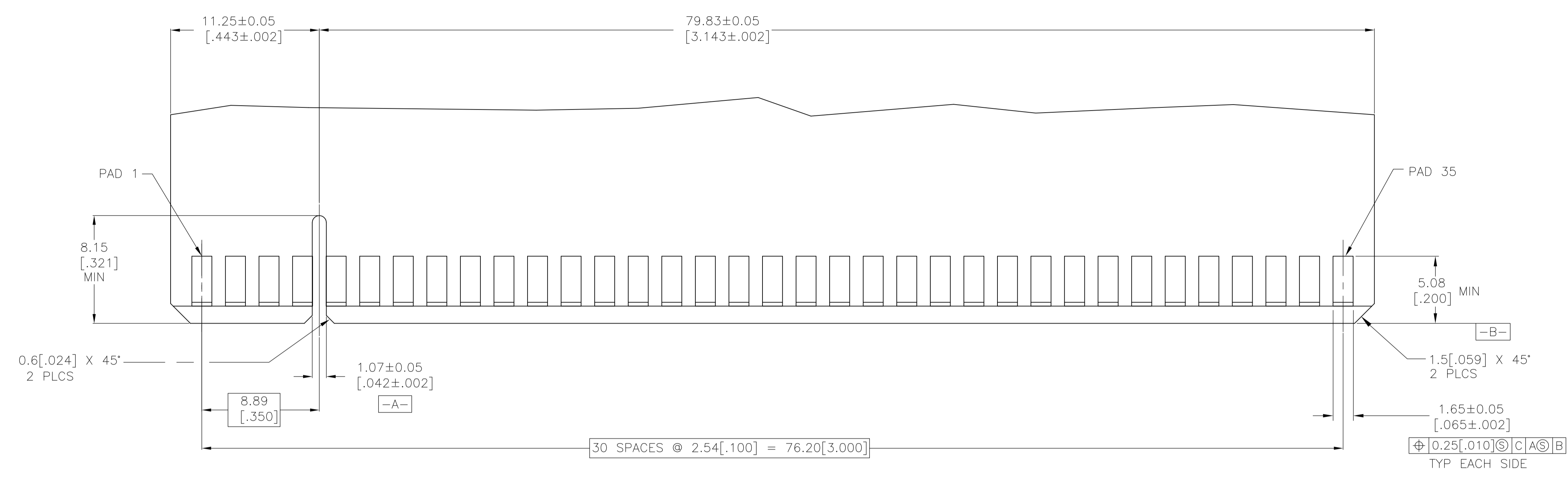


- MATERIAL:  
HOUSING: GLASS FILLED POLYESTER; COLOR: BLACK.  
CONTACT: HIGH CONDUCTIVITY COPPER ALLOY
- FINISH:  
0.00076[.000030] GOLD PLATE IN CONTACT AREA,  
0.00254[.000100] MIN MATTE TIN ON SOLDER POSTS, ALL  
OVER 0.00127[.000050] MIN NICKEL
- AMP LOGO, TE PART NUMBER, DATE CODE AND CSA LOGO INK  
STAMPED WHITE (HOT STAMPED OR LAZER PRINTED) IN THE APPROXIMATE  
AREA SHOWN, EITHER SIDE PERMISSABLE, WHEN HOUSING SIZE PERMITS
- DATUMS AND BASIC DIMENSIONS ESTABLISHED BY CUSTOMER



2, 3, 33, 34, 37, 38, 68, 69	1761446-1
RETENTION FEATURE LOCATION	PART NUMBER

THIS DRAWING IS A CONTROLLED DOCUMENT.		DMN AWF/L.A.MAYER 03APR2008	Tyco Electronics Corporation Harrisburg, Pa 17105-3608	
DIMENSIONS: mm		CHK A.W.FRANTUM 03APR2008	NAME CONNECTOR ASSEMBLY, STANDARD EDGE II, HIGH CURRENT, DUAL POSITION, 2.54 [.100] CENTERLINE	
TOLERANCES UNLESS OTHERWISE SPECIFIED:		APVD S.L.FLICKINGER 03APR2008	PRODUCT SPEC 108-9039	
0 PLC ± -		APPLICATION SPEC 114-13018		
1 PLC ± -		SIZE A1	CAGE CODE 00779	DRAWING NO 1761446
2 PLC ± 0.13 [.005]		RESTRICTED TO		
3 PLC ± -		WEIGHT -		
4 PLC ± -		CUSTOMER DRAWING		
ANGLES ± °		SCALE 5:1 SHEET 1 OF 2 REV C1		



RECOMMENDED MATING BOARD EDGE CONFIGURATION



RECOMMENDED PC BOARD HOLE LAYOUT

THIS DRAWING IS A CONTROLLED DOCUMENT.		DIN AWF/L.A.MAYER 03APR2008		Tyco Electronics Corporation	
DIMENSIONS: mm		CHK A.W.FRANTUM 03APR2008		Harrisburg, Pa 17105-3608	
TOLERANCES UNLESS OTHERWISE SPECIFIED:		APVD S.L.FLICKINGER 03APR2008		NAME	
0 PLC ± -		PRODUCT SPEC		CONNECTOR ASSEMBLY,	
1 PLC ± -		APPLICATION SPEC		STANDARD EDGE II, HIGH CURRENT,	
2 PLC ± 0.13 [.005]		SIZE CAGE CODE DRAWING NO		DUAL POSITION, 2.54 [.100] CENTERLINE	
3 PLC ± -		114-13018		RESTRICTED TO	
4 PLC ± -		WEIGHT		A1 00779 C=1761446	
ANGLES ± °		CUSTOMER DRAWING		SCALE 5:1 SHEET 2 OF 2 REV C1	
MATERIAL SEE NOTE 1		FINISH SEE NOTE 2			