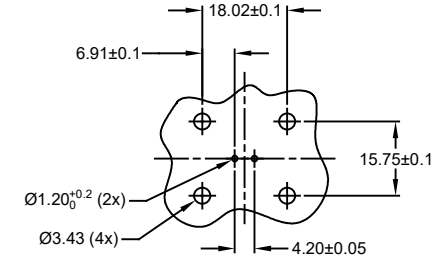
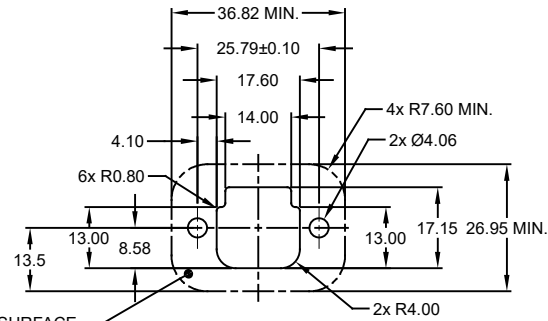
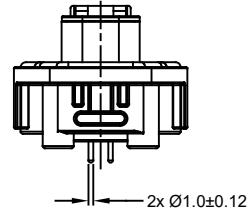
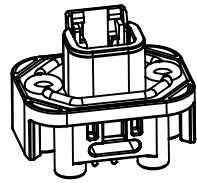
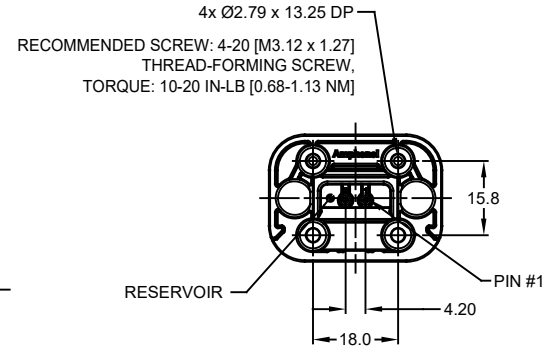
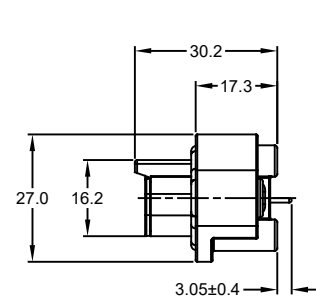
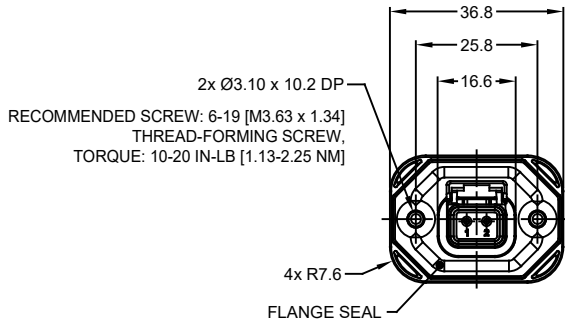


REVISIONS					
REV	ECO	DESCRIPTION	DATE	BY	APPR
A1	-	RELEASE NEW DRAWING	15JUN18	SULLEN	TOMMY
A2	-	REVISED DRAWING	10JUL20	JHEAD	DH



RECOMMENDED PCB LAYOUT  
VIEW FROM COMPONENTS  
SIDE OF PCB

NOTES: UNLESS OTHERWISE SPECIFIED

- MATERIAL:  
HOUSING: THERMOPLASTIC, GREY  
SEAL: SILICONE RUBBER  
CONTACT: COPPER ALLOY
- MODIFICATIONS: FLANGE; STRAIGHT PCB MOUNT
- SPECIFICATIONS:  
3.1 CURRENT RATING: 7.5 AMPS  
3.2 OPERATING TEMPERATURE: -55°C TO +125°C  
3.3 DIELECTRIC WITHSTANDING VOLTAGE: LESS THAN 2 MILLIAMPS CURRENT LEAKAGE @ 1500 VOLTS AC  
3.4 INSULATION RESISTANCE: 1000 MEGOHMS MIN @ 25°C  
3.5 MOISTURE RESISTANCE: IP67 ( MATED CONDITION )  
3.6 MATING CYCLE DURABILITY: 100 CYCLES  
3.7 RoHS COMPLIANT
- MATING PART: ATM06-2S\* (\* = ALL MODIFICATIONS)
- ALL DIMENSIONS ARE FOR REFERENCE USE ONLY
- POTTED CONNECTORS SPECIFIED FOR UP TO 5 P.S.I. APPLICATIONS.

INTERNAL SEALING SURFACE  
FINISH TO BE  $\sqrt{32}$  OR BETTER [7/10.13]

RECOMMENDED PANEL  
CUTOUT

ATM15-2P-BMXX VARIANTS		
CONTACT PLATING	POTTING OR NOT IN RESERVOIR	PART NUMBER
GOLD	NO POTTING	ATM15-2P-BM01
GOLD	POTTING	ATM15-2P-BM02
TIN	NO POTTING	ATM15-2P-BM03
TIN	POTTING	ATM15-2P-BM04

ATM15-2P-BMXX		PART NUMBER		DESCRIPTION		ITEM																																																																																																																										
<table border="1"> <thead> <tr> <th>QUANTITY</th> <th colspan="6">MATERIALS LIST</th> </tr> </thead> <tbody> <tr> <td colspan="7">UNLESS OTHERWISE SPECIFIED</td> </tr> <tr> <td colspan="7">1) All dimensions are in metric (mm).</td> </tr> <tr> <td colspan="7">2) Tolerances are as follows:</td> </tr> <tr> <td colspan="7">1 PL DEC ±0.30   Fractions ±1/64</td> </tr> <tr> <td colspan="7">2 PL DEC ±0.15   Angles ±1°</td> </tr> <tr> <td colspan="7">3 PL DEC ±0.08</td> </tr> <tr> <td colspan="7">3) Note reference = </td> </tr> <tr> <td colspan="2">MATERIAL SPECIFICATIONS:</td> <td colspan="2">SIGNATURES</td> <td colspan="2">DATE</td> <td rowspan="4"> <p>Sine Systems - www.amphenol-sine.com 44724 Morley Drive Clinton Township, MI 48036</p> </td> </tr> <tr> <td colspan="2">PROCESS SPECIFICATIONS:</td> <td colspan="2">DRAWN: SULLEN,ZHANG</td> <td colspan="2">15JUN18</td> </tr> <tr> <td colspan="2">NEXT ASSY:</td> <td colspan="2">CHECKED: ORION,LI</td> <td colspan="2">15JUN18</td> </tr> <tr> <td colspan="2"></td> <td colspan="2">ENGINEER:</td> <td colspan="2"></td> </tr> <tr> <td colspan="2"></td> <td colspan="2">APPROVAL: TOMMY,XIE</td> <td colspan="2">15JUN18</td> <td rowspan="2"> <p>BOARDLOCK PCB MOUNT RECEPTACLE, 2 PIN, STRAIGHT FLANGE, ATM SERIES</p> </td> </tr> <tr> <td colspan="2"></td> <td colspan="2">CUSTOMER:</td> <td colspan="2"></td> </tr> <tr> <td colspan="7">THIS DRAWING IS SUPPLIED FOR INFORMATION ONLY. DESIGN FEATURES, SPECIFICATIONS AND PERFORMANCE DATA SHOWN HEREON ARE THE PROPERTY OF THE AMPHENOL CORPORATION. NO RIGHTS OF REPRODUCTION ARE IMPLIED. ALL DIMENSIONS ARE SUBJECT TO NORMAL MANUFACTURING VARIATIONS.</td> </tr> <tr> <td>SIZE</td> <td>TYPE</td> <td>DWG NO.</td> <td>REVISION</td> <td colspan="3"></td> </tr> <tr> <td>B</td> <td>C-</td> <td>ATM15-2P-BMXX</td> <td>A2</td> <td colspan="3"></td> </tr> <tr> <td>SCALE</td> <td colspan="2">NONE</td> <td>SHEET</td> <td>1</td> <td>OF</td> <td>1</td> </tr> </tbody> </table>							QUANTITY	MATERIALS LIST						UNLESS OTHERWISE SPECIFIED							1) All dimensions are in metric (mm).							2) Tolerances are as follows:							1 PL DEC ±0.30   Fractions ±1/64							2 PL DEC ±0.15   Angles ±1°							3 PL DEC ±0.08							3) Note reference =							MATERIAL SPECIFICATIONS:		SIGNATURES		DATE		<p>Sine Systems - www.amphenol-sine.com 44724 Morley Drive Clinton Township, MI 48036</p>	PROCESS SPECIFICATIONS:		DRAWN: SULLEN,ZHANG		15JUN18		NEXT ASSY:		CHECKED: ORION,LI		15JUN18				ENGINEER:						APPROVAL: TOMMY,XIE		15JUN18		<p>BOARDLOCK PCB MOUNT RECEPTACLE, 2 PIN, STRAIGHT FLANGE, ATM SERIES</p>			CUSTOMER:				THIS DRAWING IS SUPPLIED FOR INFORMATION ONLY. DESIGN FEATURES, SPECIFICATIONS AND PERFORMANCE DATA SHOWN HEREON ARE THE PROPERTY OF THE AMPHENOL CORPORATION. NO RIGHTS OF REPRODUCTION ARE IMPLIED. ALL DIMENSIONS ARE SUBJECT TO NORMAL MANUFACTURING VARIATIONS.							SIZE	TYPE	DWG NO.	REVISION				B	C-	ATM15-2P-BMXX	A2				SCALE	NONE		SHEET	1	OF	1
QUANTITY	MATERIALS LIST																																																																																																																															
UNLESS OTHERWISE SPECIFIED																																																																																																																																
1) All dimensions are in metric (mm).																																																																																																																																
2) Tolerances are as follows:																																																																																																																																
1 PL DEC ±0.30   Fractions ±1/64																																																																																																																																
2 PL DEC ±0.15   Angles ±1°																																																																																																																																
3 PL DEC ±0.08																																																																																																																																
3) Note reference =																																																																																																																																
MATERIAL SPECIFICATIONS:		SIGNATURES		DATE		<p>Sine Systems - www.amphenol-sine.com 44724 Morley Drive Clinton Township, MI 48036</p>																																																																																																																										
PROCESS SPECIFICATIONS:		DRAWN: SULLEN,ZHANG		15JUN18																																																																																																																												
NEXT ASSY:		CHECKED: ORION,LI		15JUN18																																																																																																																												
		ENGINEER:																																																																																																																														
		APPROVAL: TOMMY,XIE		15JUN18		<p>BOARDLOCK PCB MOUNT RECEPTACLE, 2 PIN, STRAIGHT FLANGE, ATM SERIES</p>																																																																																																																										
		CUSTOMER:																																																																																																																														
THIS DRAWING IS SUPPLIED FOR INFORMATION ONLY. DESIGN FEATURES, SPECIFICATIONS AND PERFORMANCE DATA SHOWN HEREON ARE THE PROPERTY OF THE AMPHENOL CORPORATION. NO RIGHTS OF REPRODUCTION ARE IMPLIED. ALL DIMENSIONS ARE SUBJECT TO NORMAL MANUFACTURING VARIATIONS.																																																																																																																																
SIZE	TYPE	DWG NO.	REVISION																																																																																																																													
B	C-	ATM15-2P-BMXX	A2																																																																																																																													
SCALE	NONE		SHEET	1	OF	1																																																																																																																										

TITLE: PCB MOUNT RECEPTACLE, 2PIN, STRAIGHT FLANGE, ATM SERIES  
DWG NO.: ATM15-2P-BMXX  
REV: A2  
SH: 1  
OF: 1