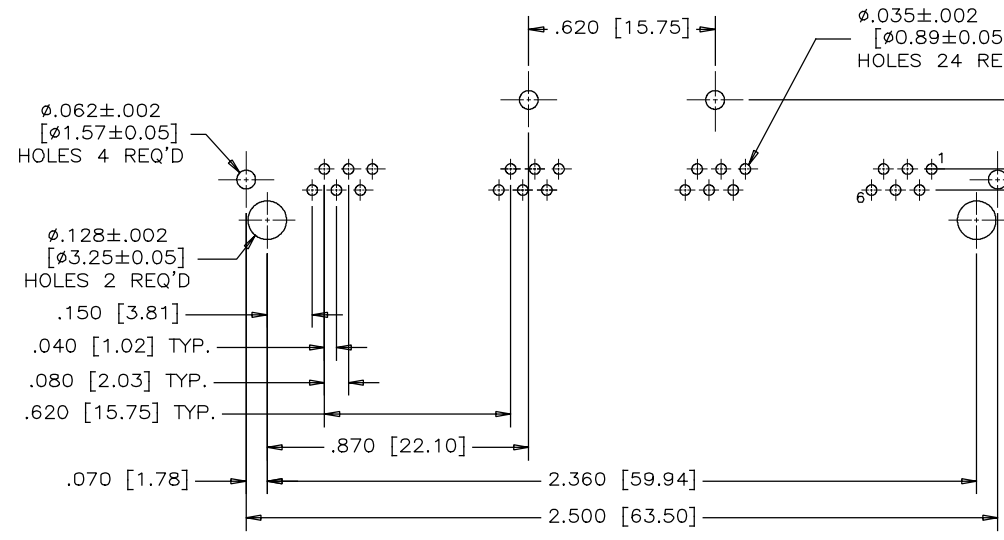
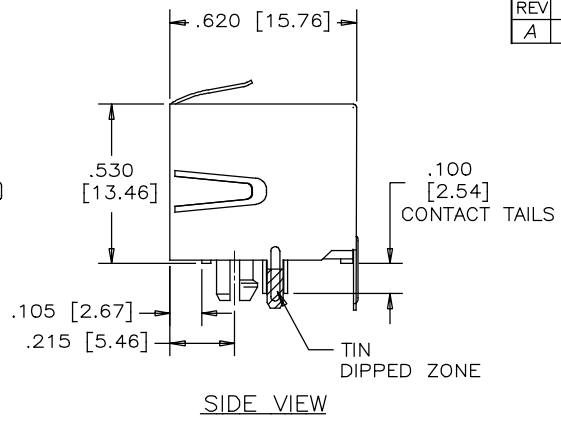
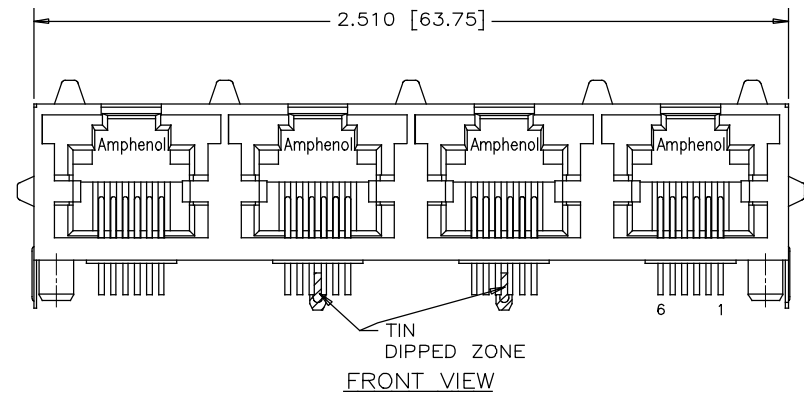
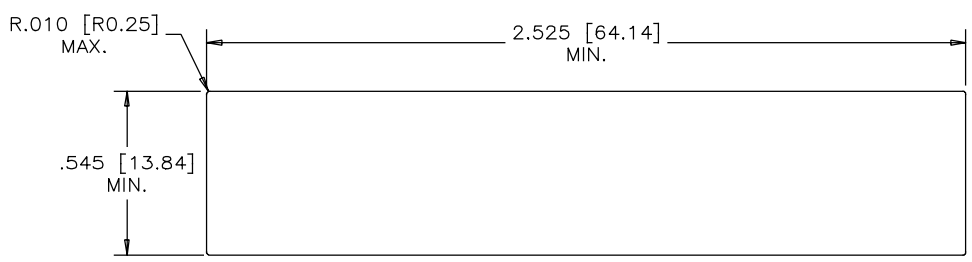


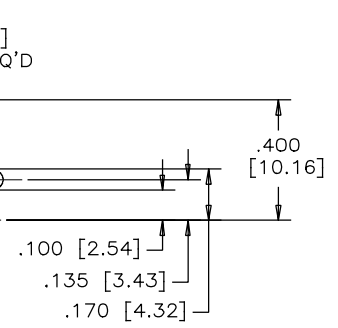
REVISIONS				
REV	DESCRIPTION, ECN, EAR NO.	DATE	APP'D	
A	PROPOSAL	MAR 19/14	L.CHAN	



RECOMMENDED P.C.B. LAYOUT  
(COMPONENT SIDE OF BOARD)



RECOMMENDED PANEL CUTOUT



LOCATE HOLES  
 $\phi \phi.005 [0.13]$   
 POSITION DIMENSIONS ARE BASIC

**MATERIALS:**  
 PLASTIC HOUSING: HIGH TEMPERATURE THERMOPLASTIC  
 FLAMMABILITY RATING UL 94V-0

**CONTACTS:** PHOSPHOR BRONZE  
 PLATING: 50  $\mu$ " [1.27 MICRONS]  
 MIN. GOLD ON MATING SURFACES.  
 50  $\mu$ " [1.27 MICRONS]  
 MIN. NICKEL UNDERPLATE  
 100  $\mu$ " [2.54 MICRONS]  
 MIN. MATTE TIN ON CONTACT TAILS.

**SHIELD:** COPPER ALLOY  
 PLATING: NICKEL WITH TIN DIPPED PCB TAILS.

PART NUMBER: RJHSE-7360-04

UNLESS SPECIFIED OTHERWISE	DRAWN FRANK W	DATE MAR 19/14	Amphenol Canada Corp. www.amphenolcanada.com
PRIMARY UNITS INCH	CHECKED Lawrence C	DATE MAR 19/14	
SECONDARY MILLIMETER	M.E. APP'D		TITLE
REFERENCE IN PARENTHESES	Q.A. APP'D		4 PORT, HIGH SPEED, MODULAR JACK, 6 POSITION, 6 CONTACTS, SHIELDED, WITHOUT LED'S - RoHS COMPLIANT
GENERAL TOLERANCES	DWG APPR.		DWG. NO.
1 DECIMAL PLACE $\pm 0.025$	ENG. REL. NO.		P-RJHSE-7360-04
2 DECIMAL PLACES $\pm 0.020$	REF.		REV A
3 DECIMAL PLACES $\pm 0.015$	THIRD ANGLE PROJECTION	DO NOT SCALE DRAWING	CODE ID NO. 03554 DWG SIZE: C SCALE: N/A SHEET 1 OF 1
ANGULAR DEGREES $\pm 1.0^\circ$			