

# XS612B1MBL5

Inductive proximity sensors XS, inductive sensor XS6 M12, L54mm, brass, Sn4mm, 24...240VAC/DC, cable 5 m



## Main

|                                    |   |
|------------------------------------|---|
| Range of Product                   | Telemecanique Inductive proximity sensors XS                                    |
| Series name                        | General purpose   |
| Sensor Type                        | Inductive proximity sensor  |
| Sensor name                        | XS6   |
| Sensor design                      | Cylindrical M12   |
| Size                               | 54 mm   |
| Body type                          | Fixed   |
| Detector flush mounting acceptance | Flush mountable   |
| Material                           | Metal   |
| Type of output signal              | Discrete  |
| Wiring Technique                   | 2-wire  |
| [Sn] nominal sensing distance      | 0.16 in (4 mm)  |
| Discrete output function           | 1 NC  |
| Output circuit type                | AC/DC   |
| Electrical connection              | Cable   |
| Cable length                       | 16.40 ft (5 m)  |
| [Us] rated supply voltage          | 24...240 V AC/DC 50/60 Hz   |
| Switching capacity in mA           | 5...200 mA AC/DC  |
| IP degree of protection            | IP68 double insulation conforming to IEC 60529<br>IP69K conforming to DIN 40050 |

## Complementary

|                          |                                |
|--------------------------|--------------------------------|
| Thread type              | M12 x 1                        |
| Detection face           | Frontal                        |
| Front material           | PPS                            |
| Enclosure Material       | Nickel Plated Brass            |
| Sensing range            | > 0.1...0.16 in (> 2.5...4 mm) |
| Operating zone           | 0.00...0.13 in (0...3.2 mm)    |
| Differential travel      | 1...15% of Sr                  |
| Cable composition        | 2 x 0.34 mm <sup>2</sup>       |
| Wire insulation material | PvR                            |
| Status LED               | Output state 1 LED yellow)     |
| Supply voltage limits    | 20...264 V AC/DC               |
| Maximum residual current | 0.8 mA open state              |
| Switching frequency      | <= 1000 Hz DC<br><= 25 Hz AC   |
| Maximum voltage drop     | <5.5 V closed)                 |
| Maximum delay first up   | 20 ms                          |
| Maximum delay response   | 0.5 ms                         |
| Maximum delay recovery   | 0.2 ms                         |
| Marking                  | CE                             |
| Threaded length          | 1.65 in (42 mm)                |
| Length                   | 2.13 in (54 mm)                |
| Net Weight               | 0.43 lb(US) (0.195 kg)         |

## Environment

|                                       |   |
|---------------------------------------|---|
| Product Certifications                | CSA<br>UL                               |
| Ambient Air Temperature for Operation | -13...158 °F (-25...70 °C)              |
| Ambient Air Temperature for Storage   | -40...185 °F (-40...85 °C)              |
| Vibration resistance                  | 25 gn +/- 2 mm 10...55 Hz)IEC 60068-2-6 |
| Shock resistance                      | 50 gn 11 ms IEC 60068-2-27              |

## Ordering and shipping details

|                       |                          |
|-----------------------|--------------------------|
| Category              | 22486-SENSORS, PROXIMITY |
| Discount Schedule     | DS2                      |
| GTIN                  | 3389110133639            |
| Nbr. of units in pkg. | 1                        |
| Package weight(Lbs)   | 5.29 oz (150.0 g)        |
| Returnability         | No                       |
| Country of origin     | FR                       |

## Packing Units

|                              |                   |
|------------------------------|-------------------|
| Unit Type of Package 1       | PCE               |
| Package 1 Height             | 5.12 in (13 cm)   |
| Package 1 width              | 3.07 in (7.8 cm)  |
| Package 1 Length             | 3.23 in (8.2 cm)  |
| Unit Type of Package 2       | BAG               |
| Number of Units in Package 2 | 1                 |
| Package 2 Weight             | 5.29 oz (150.0 g) |
| Package 2 Height             | 1.77 in (4.5 cm)  |
| Package 2 width              | 9.84 in (25 cm)   |
| Package 2 Length             | 7.87 in (20 cm)   |

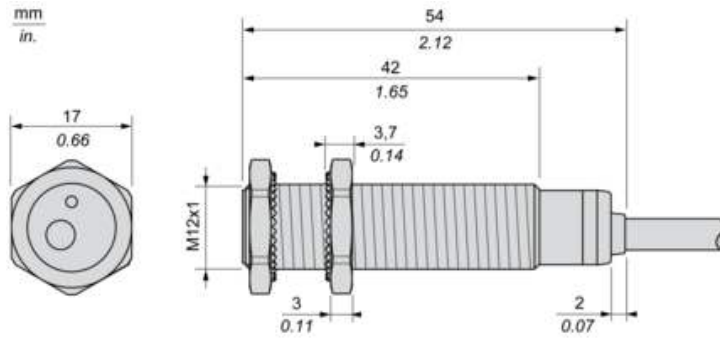
## Offer Sustainability

|                            |   |
|----------------------------|---|
| Sustainable offer status   | Green Premium product   |
| California proposition 65  | WARNING: This product can expose you to chemicals including: Diisononyl phthalate (DINP), which is known to the State of California to cause cancer, and Di-isodecyl phthalate (DIDP), which is known to the State of California to cause birth defects or other reproductive harm. For more information go to <a href="http://www.P65Warnings.ca.gov">www.P65Warnings.ca.gov</a> |
| REACH Regulation           | <a href="#">REACH Declaration</a>   |
| EU RoHS Directive          | Pro-active compliance (Product out of EU RoHS legal scope) <a href="#">EU RoHS Declaration</a>  |
| Mercury free               | Yes   |
| RoHS exemption information | <a href="#">Yes</a>   |
| Environmental Disclosure   | <a href="#">Product Environmental Profile</a>   |
| Circularity Profile        | <a href="#">End Of Life Information</a>   |

## Contractual warranty

|          |           |
|----------|-----------|
| Warranty | 18 months |
|----------|-----------|

Dimensions



---

### Minimum Mounting Distances

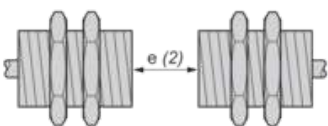
---

Side by side



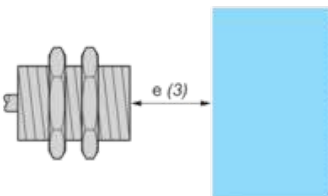
$e (1) \geq 8 \text{ mm}/0.31 \text{ in.}$

Face to face



$e (2) \geq 48 \text{ mm}/1.89 \text{ in.}$

Facing a metal object

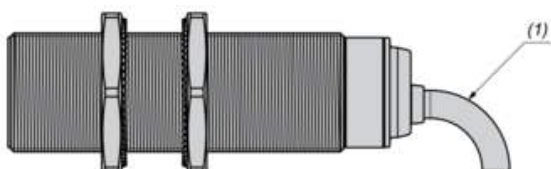


$e (3) \geq 12 \text{ mm}/0.47 \text{ in.}$

---

### Mounting

---



(1) Bending cable: 4 x external cable diameter

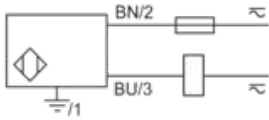
---

## Wiring Schemes

---

### 2-Wire AC or DC

NC output



BU : Blue

BN : Brown