

# SACC-PO12MSD-4CT-CM SH PN - Data connector



1021830

<https://www.phoenixcontact.com/us/products/1021830>

Please be informed that the data shown in this PDF document is generated from our online catalog. Please find the complete data in the user documentation. Our general terms of use for downloads are valid.



Data connector, PROFINET CAT5 (100 Mbps), 4-position, shielded, Plug straight M12 Push-Pull, D, Crimp connection, knurl material: PA 6.6, external cable diameter 4.5 mm ... 7.5 mm, without crimp contacts

## Your advantages

- Plug and Produce: convenient and secure connection, thanks to the manufacturer-independent locking system
- Extremely compact, thanks to the small wiring space and high contact density
- Clear feedback: the connector springs back when not snapped into place correctly
- Safely shielded: reliable shield connection even under extreme mechanical strain
- Robust connection: suitable for railway applications with high shock and vibration loads

## Commercial data

|                                      |                    |
|--------------------------------------|--------------------|
| Item number                          | 1021830            |
| Packing unit                         | 1 pc               |
| Minimum order quantity               | 1 pc               |
| Sales key                            | BF34               |
| Product key                          | BF2CJN             |
| Catalog page                         | Page 27 (C-2-2019) |
| GTIN                                 | 4055626514697      |
| Weight per piece (including packing) | 29.777 g           |
| Weight per piece (excluding packing) | 29.777 g           |
| Customs tariff number                | 85366990           |
| Country of origin                    | DE                 |

## Technical data

### Notes

|         |  |
|---------|--|
| General | This product corresponds to the PROFINET Cabling and Interconnection Technology Guideline for PROFINET regulations, version 2.00, order no: 2.252, Chapter 8.2 Connectors for Outside Environment (Balanced cabling)                                 |
| General | <b>NOTE:</b> Observe the permissible bending radii when laying conductors, since the degree of protection may be put in jeopardy if the bending forces are too high. Alleviate mechanical loads upstream of the connector, e.g. by using cable ties. |

### Mounting

|                       |  |
|-----------------------|--|
| Assembly instructions | Contacts can be clipped in place and unclipped without tools |
| Connection method     | Crimp connection   |

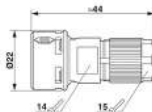
### Product properties

|                      |                                 |
|----------------------|---------------------------------|
| Product type         | Circular connector (cable-side) |
| Sensor type          | PROFINET                        |
| Number of positions  | 4                               |
| Application          | Data                            |
| No. of cable outlets | 1                               |
| Shielded             | yes                             |
| Coding               | D                               |
| Cable outlet         | straight                        |

### Insulation characteristics

|                      |    |
|----------------------|----|
| Overvoltage category | II |
| Degree of pollution  | 3  |

### Dimensions

|                          |  |
|--------------------------|--|
| Dimensional drawing      |  |
| Length                   | 44 mm  |
| Wrench size, union nut   | 15 mm  |
| Wrench size, counter nut | 14 mm  |

### External dimensions

|                  |                   |
|------------------|-------------------|
| Outside diameter | 4.5 mm ... 7.5 mm |
|------------------|-------------------|

### Housing

|                  |       |
|------------------|-------|
| Diameter housing | 22 mm |
|------------------|-------|

### Material specifications

# SACC-PO12MSD-4CT-CM SH PN - Data connector



1021830

<https://www.phoenixcontact.com/us/products/1021830>

|  |  |
|--|--|
| Flammability rating according to UL 94 | V0   |
| Seal material                          | NBR  |
| Material of grip body                  | Zinc die-cast, nickel-plated   |
| Contact carrier material               | PA 6.6   |
| Material for screw connection          | PA 6.6   |
| Standards/regulations                  | PA 6.6: Fire protection in rail vehicles - requirement sets R22, R23, R24, and R26 acc. to DIN EN 45545-2 (Risk level HL1 - HL3) |

## Connection data

### Conductor connection

|   |   |
|---|---|
| Connection method                       | Crimp connection                                      |
| Connection cross section                | 0.14 mm <sup>2</sup> ... 1 mm <sup>2</sup> (flexible) |
| Connection cross section AWG            | 26 ... 18 (flexible)                                  |
| Stripping length of the individual wire | 4 mm +0,5 mm  |
| Tightening torque                       | 4 Nm (Pressure nut with coupling sleeve)              |

## Electrical properties

|                                |                    |
|--------------------------------|--------------------|
| Rated surge voltage            | 2.5 kV             |
| Insulation resistance          | ≥ 100 MΩ           |
| Nominal voltage U <sub>N</sub> | 48 V AC<br>60 V DC |
| Nominal current I <sub>N</sub> | 4 A                |

## Mechanical properties

### Mechanical data

|                             |       |
|-----------------------------|-------|
| Insertion/withdrawal cycles | ≥ 100 |
|-----------------------------|-------|

## Connector

### Connection 1

|                   |           |
|-------------------|-----------|
| Head design       | Plug      |
| Head cable outlet | straight  |
| Head thread type  | M12       |
| Head locking type | Push-Pull |
| Coding            | D         |

## Cable/line

|   |                                     |
|---|-------------------------------------|
| Signal type/category                    | PROFINET CAT5 (IEC 11801), 100 Mbps |
| Stripping length of the individual wire | 4 mm +0,5 mm                        |

## Environmental and real-life conditions

### Ambient conditions

|  |      |
|--|------|
|  | IP65 |
|--|------|

# SACC-PO12MSD-4CT-CM SH PN - Data connector



1021830

<https://www.phoenixcontact.com/us/products/1021830>

|                                 |                                  |
|---------------------------------|----------------------------------|
| Degree of protection            | IP67                             |
|                                 | IP68                             |
|                                 | IP69K                            |
| Ambient temperature (operation) | -40 °C ... 85 °C (Plug / socket) |

## Standards and regulations

### Testing

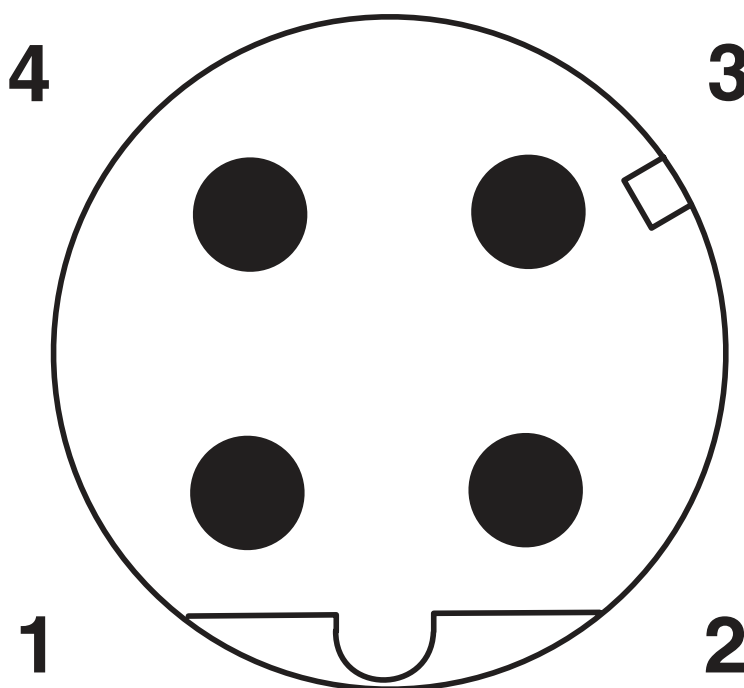
|                          |  |
|--------------------------|--|
| Standards/regulations    | PA 6.6: Fire protection in rail vehicles - requirement sets R22, R23, R24, and R26 acc. to DIN EN 45545-2 (Risk level HL1 - HL3) |
| Standard designation     | M12 connector  |
| Standards/specifications | IEC 61076-2-109, IEC 61076-2-010   |
| Note                     | In line with   |
| Standard designation     | Shock, vibration   |
| Standards/specifications | EN 50155:2001  |

1021830

<https://www.phoenixcontact.com/us/products/1021830>

## Drawings

Schematic diagram

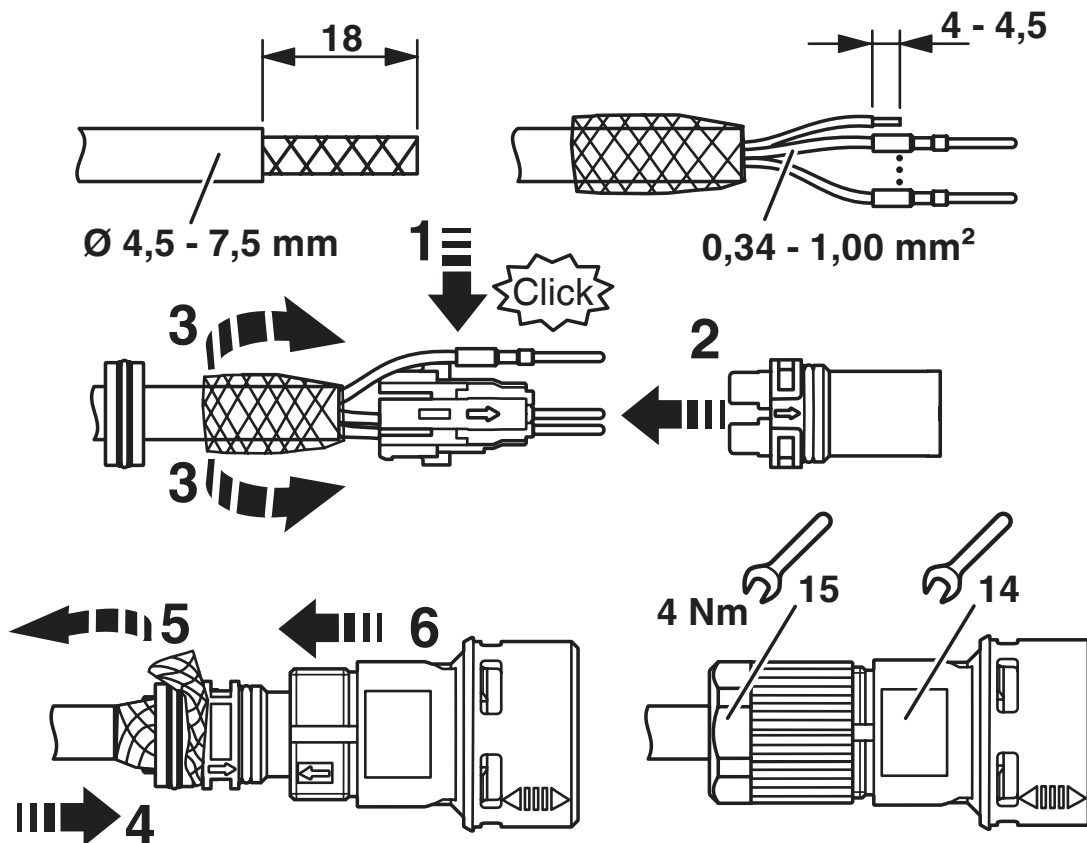


M12 PUSH-PULL male pin assignment, 4-pos., pin-side view

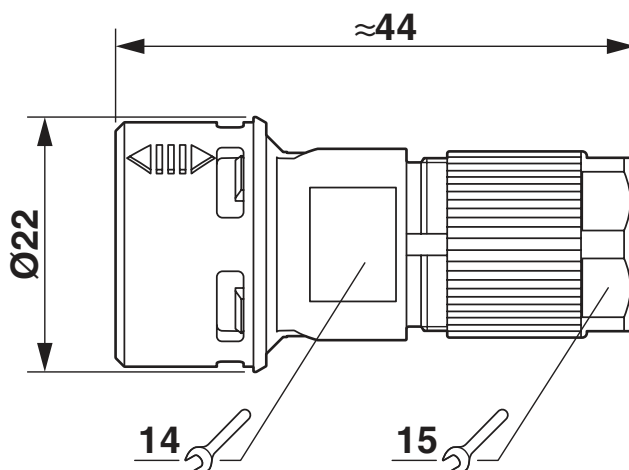
1021830

<https://www.phoenixcontact.com/us/products/1021830>

Functional drawing



Dimensional drawing



M12 push-pull plug, straight, shielded

# SACC-PO12MSD-4CT-CM SH PN - Data connector



1021830

<https://www.phoenixcontact.com/us/products/1021830>

## Classifications

### ECLASS

|             |          |
|-------------|----------|
| ECLASS-11.0 | 27440102 |
| ECLASS-12.0 | 27440116 |
| ECLASS-13.0 | 27440116 |

### ETIM

|          |          |
|----------|----------|
| ETIM 8.0 | EC002635 |
|----------|----------|

### UNSPSC

|             |          |
|-------------|----------|
| UNSPSC 21.0 | 39121400 |
|-------------|----------|

# SACC-PO12MSD-4CT-CM SH PN - Data connector



1021830

<https://www.phoenixcontact.com/us/products/1021830>

## Environmental product compliance

|            |   |
|------------|---|
| China RoHS | Environmentally friendly use period: unlimited = EFUP-e |
|            | No hazardous substances above threshold values          |



# SACC-PO12MSD-4CT-CM SH PN - Data connector



1021830

<https://www.phoenixcontact.com/us/products/1021830>

## Mandatory accessories

### CC1,0-TS-0,34M AU - Crimp contact

1064040

<https://www.phoenixcontact.com/us/products/1064040>



Crimp contact, contact diameter: 1 mm, turned, Pin, contact material: CuZn, contact surface: Ni/Au, connection cross section: 0.14 mm<sup>2</sup> ... 0.34 mm<sup>2</sup>, AWG 26 ... 22

---

### CC1,0-TS-1,00M AU - Crimp contact

1423645

<https://www.phoenixcontact.com/us/products/1423645>



Crimp contact, contact diameter: 1 mm, turned, Pin, contact material: CuZn, contact surface: Ni/Au, connection cross section: 0.34 mm<sup>2</sup> ... 1 mm<sup>2</sup>, AWG 22 ... 18

---

## Accessories

# SACC-PO12MSD-4CT-CM SH PN - Data connector



1021830

<https://www.phoenixcontact.com/us/products/1021830>

## CC1,0-TS-0,34M AU - Crimp contact

1064040

<https://www.phoenixcontact.com/us/products/1064040>



Crimp contact, contact diameter: 1 mm, turned, Pin, contact material: CuZn, contact surface: Ni/Au, connection cross section: 0.14 mm<sup>2</sup> ... 0.34 mm<sup>2</sup>, AWG 26 ... 22

---

## CC1,0-TS-1,00M AU - Crimp contact

1423645

<https://www.phoenixcontact.com/us/products/1423645>



Crimp contact, contact diameter: 1 mm, turned, Pin, contact material: CuZn, contact surface: Ni/Au, connection cross section: 0.34 mm<sup>2</sup> ... 1 mm<sup>2</sup>, AWG 22 ... 18

# SACC-PO12MSD-4CT-CM SH PN - Data connector



1021830

<https://www.phoenixcontact.com/us/products/1021830>

## VS-OE-OE-93R/... - Data cable

1417388

<https://www.phoenixcontact.com/us/products/1417388>



Data cable, PROFINET CAT5 (100 Mbps), 4-position halogen-free, shielded, free cable end, on free cable end, cable length: Free input (0.5 ... 100 m)

---

## VS-OE-OE-936/... - Data cable

1417375

<https://www.phoenixcontact.com/us/products/1417375>



Data cable, PROFINET CAT5 (100 Mbps), 4-position halogen-free, shielded, free cable end, on free cable end, cable length: Free input (0.5 ... 100 m)

# SACC-PO12MSD-4CT-CM SH PN - Data connector



1021830

<https://www.phoenixcontact.com/us/products/1021830>

## VS-OE-OE-937/... - Data cable

1402687

<https://www.phoenixcontact.com/us/products/1402687>



Data cable, PROFINET CAT5 (100 Mbps), 4-position halogen-free, shielded, free cable end, on free cable end, cable length: Free entry (0.5 ... 400 m)

---

## CRIMPFOX-TC MP - Crimping pliers with digital display

1212510

<https://www.phoenixcontact.com/us/products/1212510>



Crimping pliers, for turned contacts, universal cross section setting, up to a maximum of 2.5 mm<sup>2</sup>, digital display with 0.01 mm increments, pressure lock can be unlocked, including positioning tool

# SACC-PO12MSD-4CT-CM SH PN - Data connector



1021830

<https://www.phoenixcontact.com/us/products/1021830>

## MICROFOX-SB - Diagonal cutter

1212489

<https://www.phoenixcontact.com/us/products/1212489>



Electronic diagonal cutter, round head, without chamfer, with opening spring, mirror-polished and oiled, 2-component grip, cutting capacity: soft 0.2 - 2.0 mm; medium hard 1.2 mm; hard 0.5 mm diameter

---

## WIREFOX-D 13 - Stripping tool

1212162

<https://www.phoenixcontact.com/us/products/1212162>



Stripping tool, for stripping installation lines of  $\varnothing$  8 - 13 mm , e.g. NYM 3 x 1.5 mm<sup>2</sup> to 5 x 2.5 mm<sup>2</sup>, single line stripping 0.2 mm<sup>2</sup> - 4 mm<sup>2</sup> , with longitudinal cut blade and sliding knife

# SACC-PO12MSD-4CT-CM SH PN - Data connector



1021830

<https://www.phoenixcontact.com/us/products/1021830>

## WIREFOX SAC - Stripping tool

1212623

<https://www.phoenixcontact.com/us/products/1212623>



Stripping pliers, for halogen-free sensor/actuator cables (SAC cables), with PUR and PVC insulation, from Ø of 4.4 to 7 mm, any stripping length

---

## VS-CABLE-STRIP-VARIO - Stripping tool

1657407

<https://www.phoenixcontact.com/us/products/1657407>

Stripping tool, for the multi-level stripping of shielded cables



---

Phoenix Contact 2023 © - all rights reserved  
<https://www.phoenixcontact.com>

Phoenix Contact USA  
586 Fulling Mill Road  
Middletown, PA 17057, United States  
(+717) 944-1300  
[info@phoenixcon.com](mailto:info@phoenixcon.com)