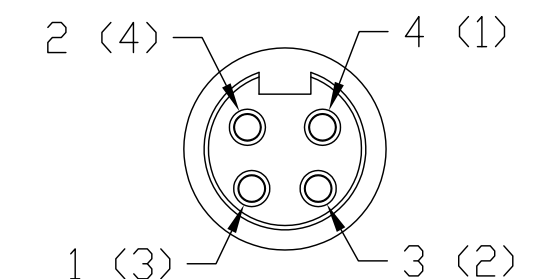
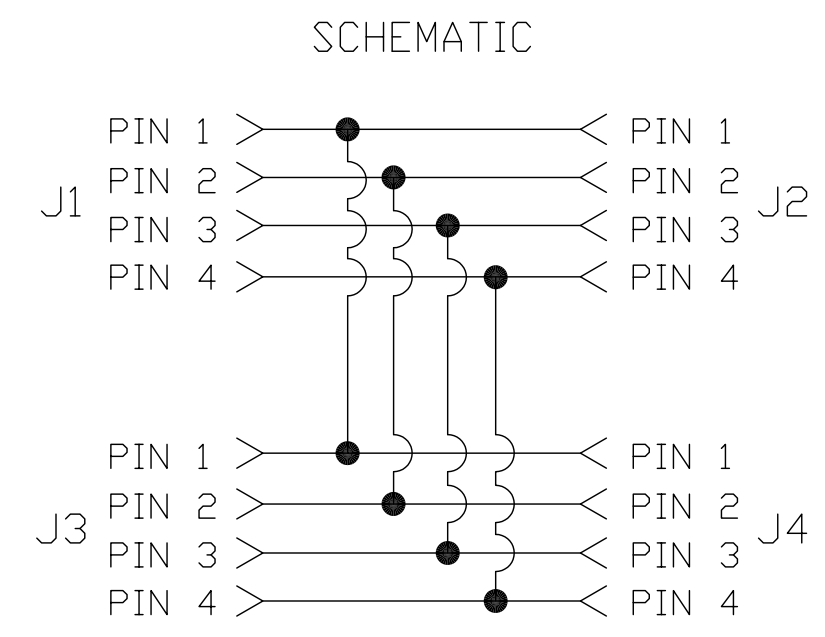
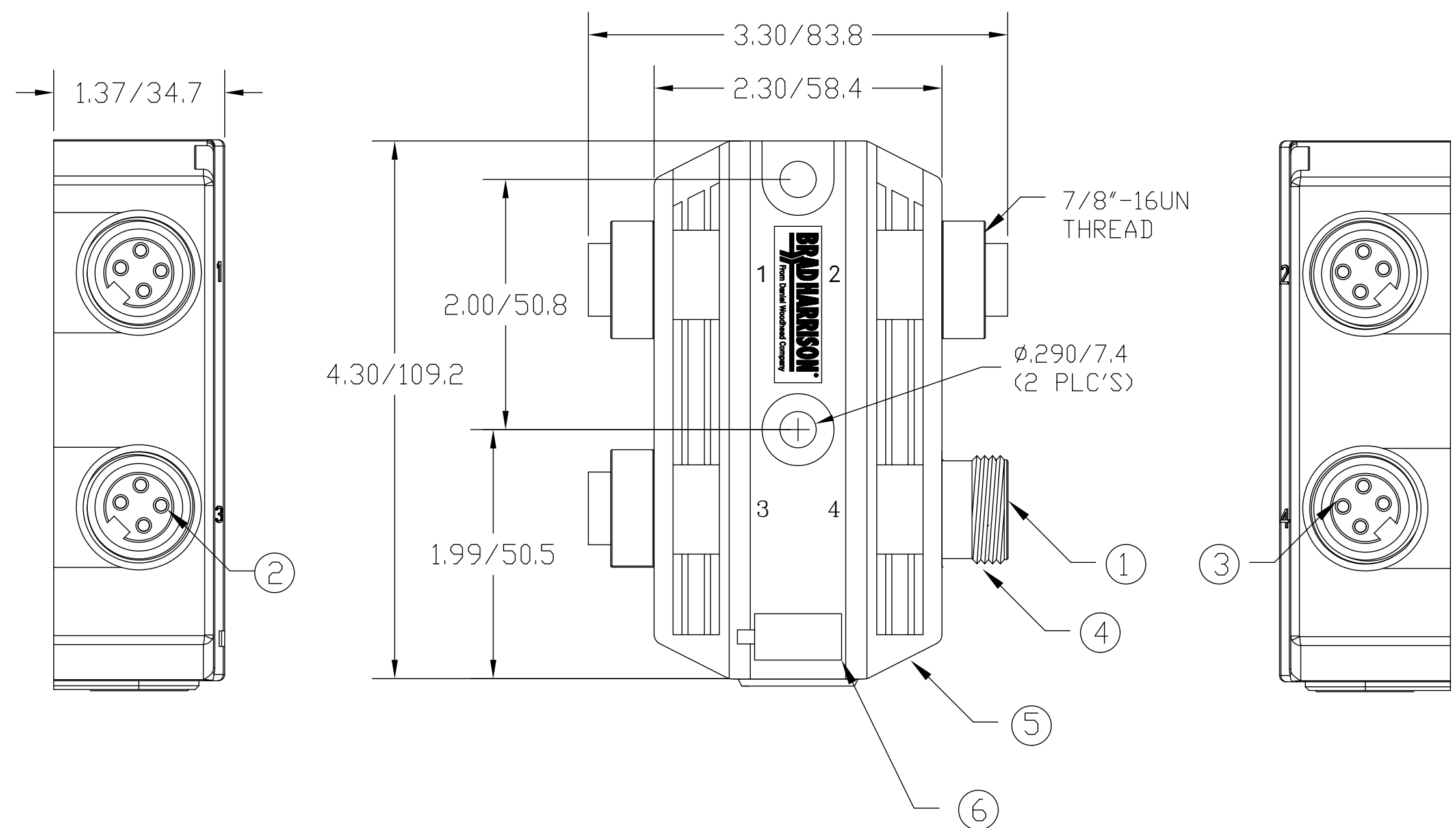
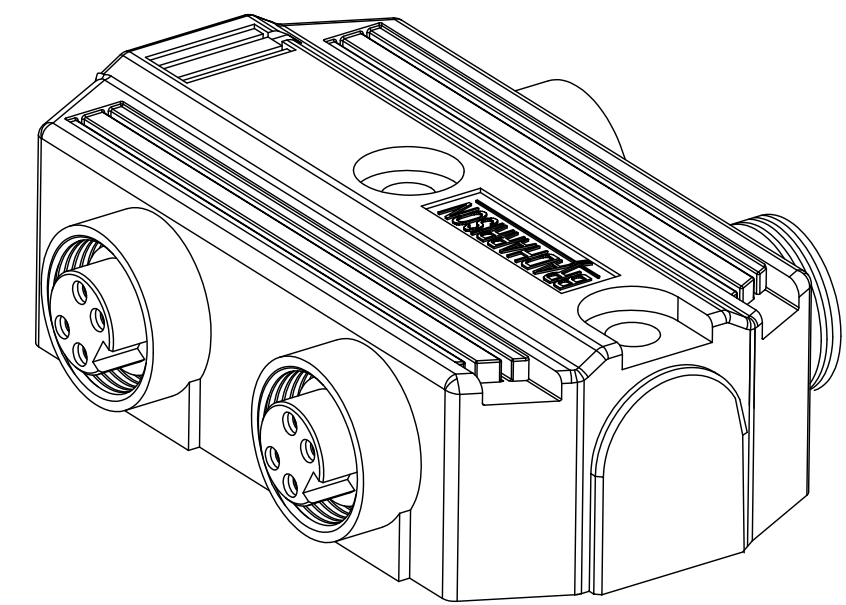
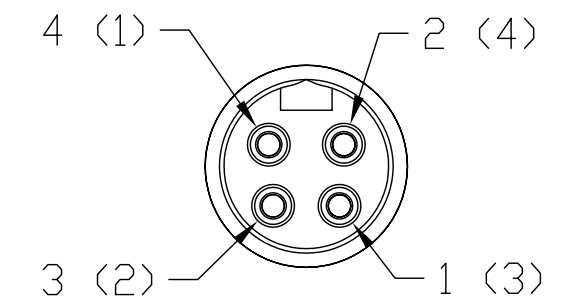


<b>MATERIAL NUMBER</b>	<b>OLD PART NUMBER</b>
130039-0377	DNAUX2100



FEMALE FACE VIEW



MALE FACE VIEW

CENELEC EN 50 044 PINOUT SHOWN  
(SAE-J-1738A PINOUT SHOWN IN PARENTHESIS)

CUSTOMER PRODUCTION APPROVAL  
APPROVED BY: \_\_\_\_\_  
DATE: \_\_\_\_\_  
MUST BE SIGNED AND RETURNED BEFORE  
PRODUCTION WILL BEGIN.

RESTRICTED SALES DRAWING

VOLTAGE RATING	600 VAC/VDC
AMPERAGE RATING	10 AMPS
PROTECTION	IP67
OPERATING TEMPERATURE	0°C TO 60°C

ITEM	COMPONENT	MATERIAL	FINISH
1	INSERT	PVC	GRAY
2	CONTACT SOCKET	COPPER ALLOY	GOLD OVER NICKEL
3	CONTACT PIN	COPPER ALLOY	GOLD OVER NICKEL
4	RECEPTACLE SHELL	ZINC DIE CAST	BLACK E-COATED
5	HOUSING	PBT	BLACK
6	LABEL	ABS	WHITE
	POTTING MATERIAL	EPOXY	BLACK

RLSD DRAWING  
EC NO: WNA2010-0678  
DRWN: BWOODMAN2010/05/07  
CHK'D: KJ  
APPR: JFMURPHY 2010/07/15

QUALITY SYMBOL =0 =0	GENERAL TOLERANCES (UNLESS SPECIFIED)	
	mm	INCH
	4 PLACES	±---
	3 PLACES	±---
	2 PLACES	±0.13 ±0.010
1 PLACE	±0.25 ±0.020	
ANGULAR ±1/2°		
DRAFT WHERE APPLICABLE MUST REMAIN WITHIN DIMENSIONS		

DIMENSION STYLE IN/MM	
DRAWN BY	DATE
BWOODMAN	2010/05/07
CHECKED BY	DATE
KJ	2010/05/11
APPROVED BY	DATE
JFMURPHY	2010/07/15
MATERIAL NO. SEE CHART	

SCALE 1:1	DESIGN UNITS INCH	THIRD ANGLE PROJECTION
TITLE MC 2 PORT PASS-THRU MPIS DEVICENET AUX POWER		
MOLEX INCORPORATED		
DOCUMENT NO. SD-130039-037	SHEET NO. 1 OF 1	
THIS DRAWING CONTAINS INFORMATION THAT IS PROPRIETARY TO MOLEX INCORPORATED AND SHOULD NOT BE USED WITHOUT WRITTEN PERMISSION		