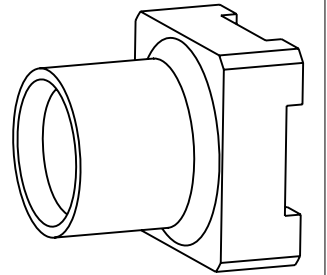
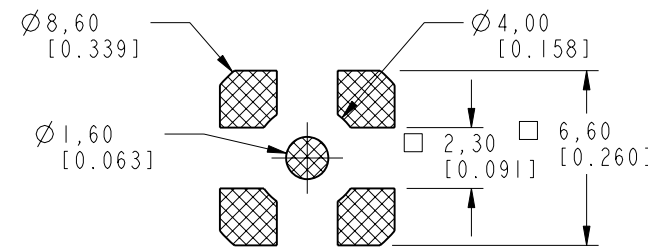


NOTES:

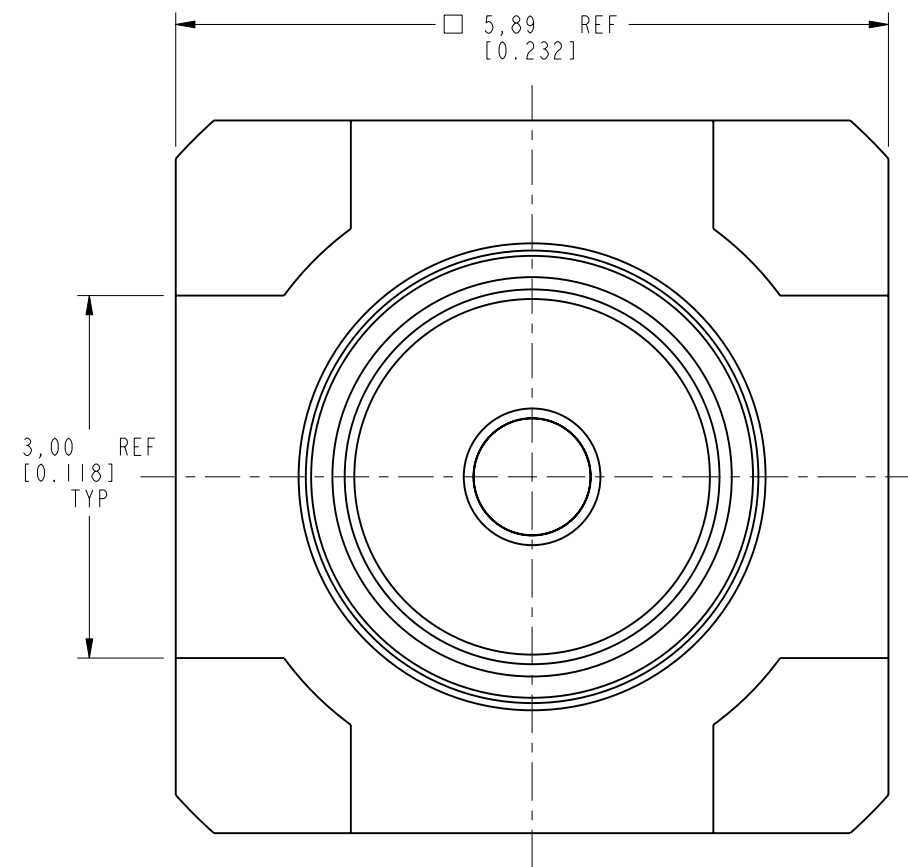
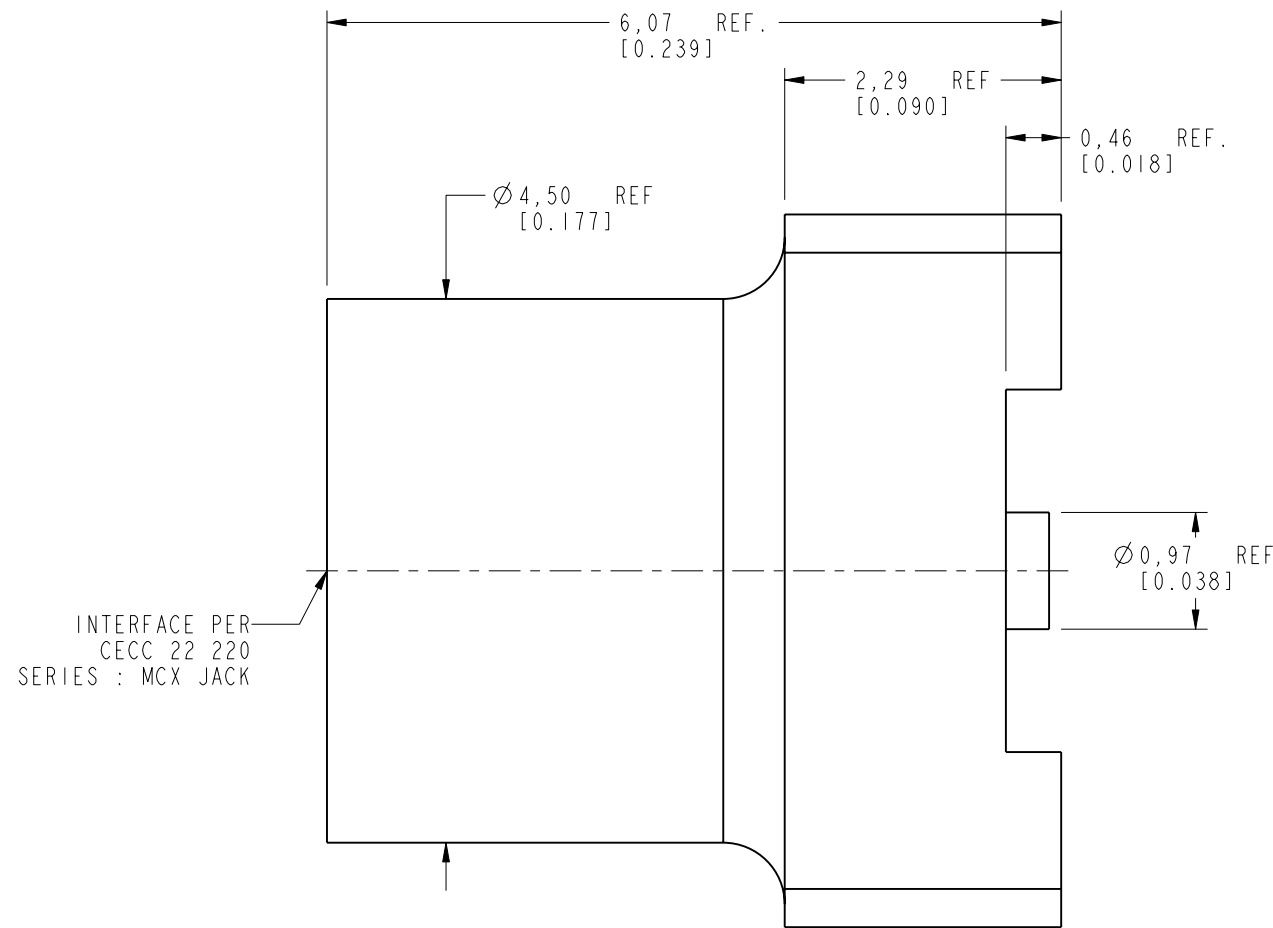
1. MATERIAL AND FINISH:
 BODY - BRASS, GOLD PLATING
 CONTACT - BeCu, GOLD PLATING
 INSULATOR - PTFE, NATURAL
2. ELECTRICAL:
 A. IMPEDANCE: 50 OHM
 B. FREQUENCY RANGE: DC-6 GHz
 C. VSWR (RETURN LOSS): 1.20 MAX.
 D. DIELECTRIC WITHSTANDING VOLTAGE: 1000 VRMS. (FOR ONE MINUTE)
 E. CONTACT RESISTANCE: 5 mOHM MAX. (CENTER CONTACT)
 1 mOHM MAX. (OUTER CONTACT)
 F. VOLTAGE RATING: 500 VOLTS
 G. INSULATION RESISTANCE: 10000 MOHM (AT 500V FOR ONE MINUTE)
3. MECHANICAL:
 A. DURABILITY: 500 CYCLES MIN.
 B. TEMPERATURE RANGE: -40°C TO +85°C
 C. OPERATING HUMIDITY: 10% TO 80% REL HUMIDITY

THIRD ANGLE PROJ.

| REVISIONS | | | | |
|-----------|---|-----------|-------|-------|
| REV | DESCRIPTION | DATE | ECN | APPR |
| A | RELEASE TO MFG. | 01-Jul-98 | -- | PB/TA |
| F | 2.29 WAS 1.52, 0.46 WAS 0.76, REMOVED STAKE \RD-DM15042301J1 | 29-Apr-15 | 50419 | HH |
| G | FREQUENCY 6 GHz WAS 2 GHz & IMPERIAL UNITS ADDED | 31-Oct-17 | 05665 | AAP |



SCALE 5.000



CUSTOMER OUTLINE DRAWING

ALL OTHER SHEETS ARE FOR INTERNAL USE ONLY

| | | | | | | | |
|---|--|------------------------|-------------------|---|----------|---|-----------------------|
| UNLESS OTHERWISE SPECIFIED, DIMENSIONS ARE IN METRIC AND TOLERANCES ARE: <0.5mm ±0.05mm 0.5 - 6mm ±0.1mm 6 - 30mm ±0.2mm 30 - 120mm ±0.3mm ANGLES ±1° | MATERIAL SEE NOTES | DRAWN S. DUAN | DATE 01-Nov-17 | TITLE MCX STR JACK SURFACE MOUNT RECEPTACLE | | Amphenol RF www.amphenolrf.com | |
| | REFERENCE EAR# 102-966929 1 REF: 615X-1429-100 GEN# ASSYF3_MCX | ENGINEER P. BRENZEL | DATE 18-Jun-98 | | | | |
| NOTICE - These drawings, specifications, or other data (1) are, and remain the property of Amphenol corp. (2) must be returned upon request; and (3) are confidential and not to be disclosed to any person other than those to whom they are given by Amphenol Corp. the furnishing of these drawings, specifications, or other data by Amphenol Corp., or to any other person to anyone for any purpose is not to be regarded by implication or otherwise in any manner licensing, granting rights to permitting such holder or any other person to manufacture, use or sell any product, process or design, patented or otherwise, that may in any way be related to or disclosed by said drawings, specifications, or other data. | CONFIGURATION LEVEL: In Work | APPROVED S. HSIEH | DATE 03-Nov-17 | SCALE: 16.0:1.0 SHEET 2 OF 2 | | DRAWING NO. 919-118J-51P | |
| | FINISH | CAD FILE | | DWG SIZE B | REV G | ITEM NO. 919-118J-51P | |
| | | | | | | | PART NO. 919-118J-51P |