

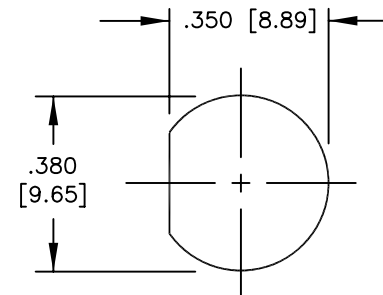
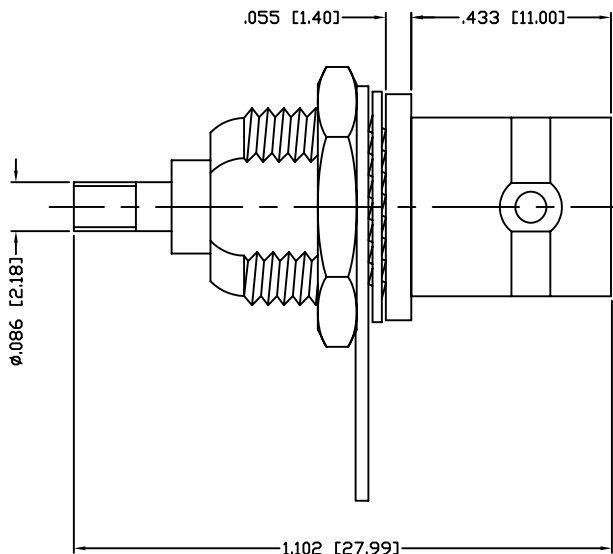
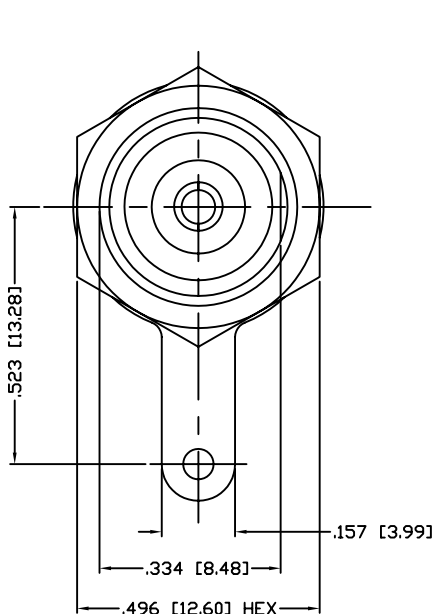
THIS DRAWING CONTAINS INFORMATION PROPRIETARY TO RF INDUSTRIES,
 ANY UNAUTHORIZED USE OF THIS DRAWING IS EXPRESSLY PROHIBITED
 WITHOUT WRITTEN PERMISSION FROM RF INDUSTRIES.
 ANY VIOLATION IS PUNISHABLE UNDER U.S. COPYRIGHT LAWS.

PART NO.

RFB-1716

REV	DESCRIPTION	DWN	DATE	APPROVED
A	ENGINEERING RELEASE	CZS	3/24/98	R. RICE
B	REPLACE DIECAST MOLD	CZS	01/02/08	JDM

ALL DIMENSIONS ARE REFERENCE ONLY



SUGGESTED MOUNTING CONFIGURATION

SPECIFICATIONS:

IMPEDANCE: 75 OHMS
 VOLTAGE RATING: 500 VOLTS RMS
 FREQUENCY RANGE: 0-1 GHz

#	DESCRIPTION	QTY	MATERIAL	FINISH
14				
13				
12				
11				
10				
9				
8				
7	HEX NUT	1	BRASS	NICKEL, 100μ"
6	SOLDER LUG	1	BRASS	NICKEL, 100μ"
5	LOCK WASHER	1	BRASS	NICKEL, 100μ"
4	PRESS FIT WASHER	1	BRASS	NICKEL, 100μ"
3	INSULATOR	1	DELTRIN	---
2	CONTACT	1	BRASS	GOLD, 30μ"
1	BODY	1	ZINC DIECAST	NICKEL, 100μ"

000360	
DRAWN C. ZUNIGA	01/02/08
CHECKED	
ORJ DRAWN C. ZUNIGA	03/24/98
APPROVALS	DATE

R O HS
 COMPLIANT

DIMENSIONS ARE IN INCHES
 AND [MILLIMETERS]
 UNLESS OTHERWISE NOTED
 TOLERANCES ARE:

DECIMALS	DIAMETER
----------	----------

RF connectors
 DIVISION OF RF INDUSTRIES, LTD.

7610 MIRAMAR RD
 SAN DIEGO, CA 92126
 (858) 549-6340
 (858) 549-6345 FAX

**BNC JACK
 BULKHEAD, FRONT MOUNT**

SIZE A	CABLE GROUP N/A	DWG NO. RFB-1716	REV B
SCALE: NTS		CAD FILE OUTLINE	SHEET 1 OF 1