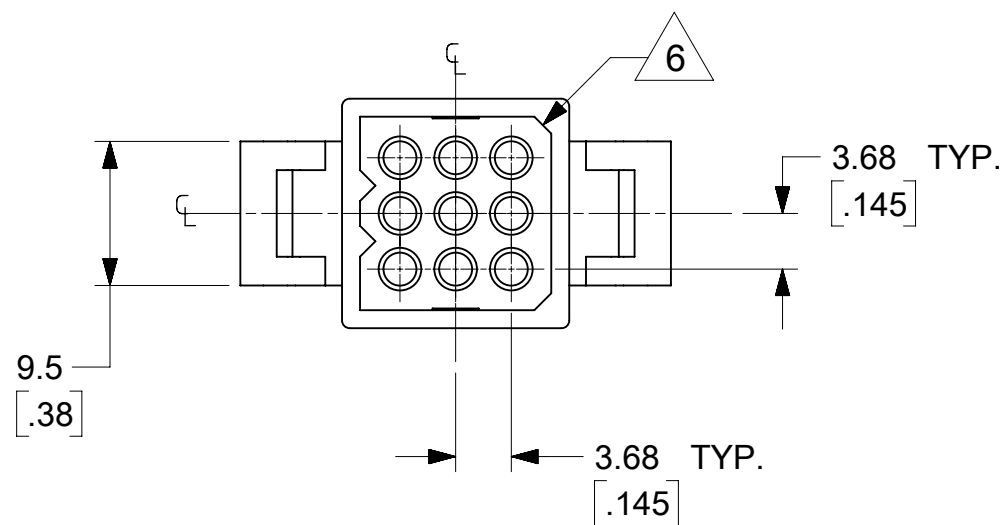
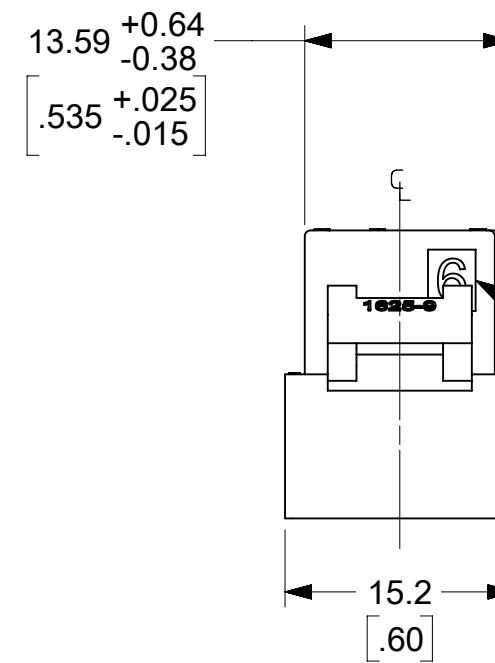
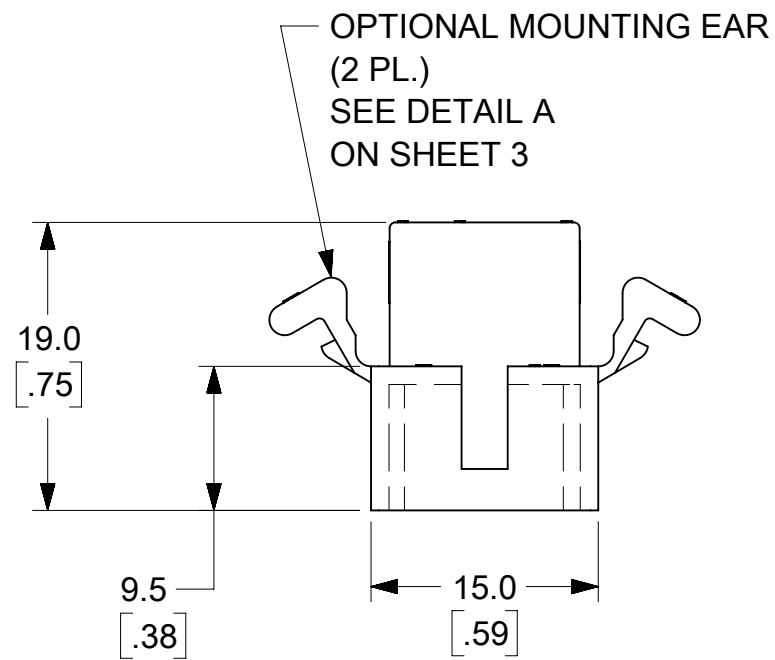
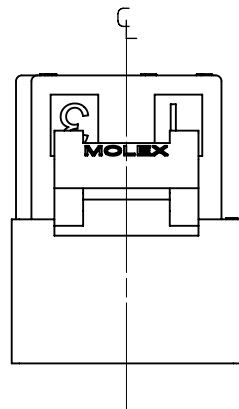


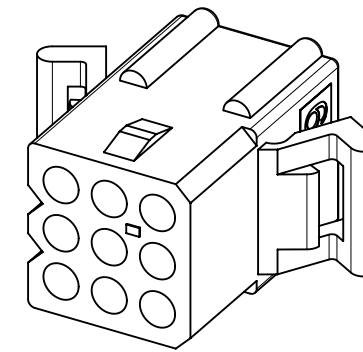
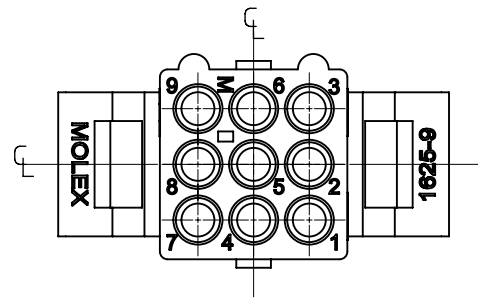
PREBENT MOUNTING EARS

NO MOUNTING EARS

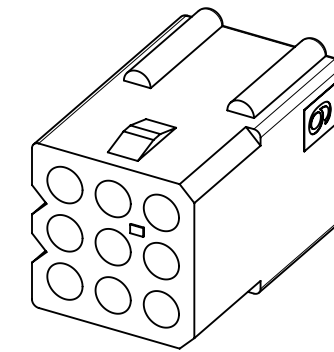


PLUG

SYMBOLS	THIS DRAWING CONTAINS INFORMATION THAT IS PROPRIETARY TO MOLEX ELECTRONIC TECHNOLOGIES, LLC AND SHOULD NOT BE USED WITHOUT WRITTEN PERMISSION		
	DIMENSION UNITS	SCALE	CURRENT REV DESC: REVISE NOTE 3
▽ = 0	MM/IN	2:1	molex .062 9CKT PLUG AND RECEPTACLE HOUSING PRODUCT CUSTOMER DRAWING
▽ = 0	GENERAL TOLERANCES (UNLESS SPECIFIED)		
▽ = 0			
▽ = 0	4 PLACES ±	±	
▽ = 0	3 PLACES ±	± 0.01	
▽ = 0	2 PLACES ±	± 0.014	EC NO: 613316 DRWN: JEHRISMAN 2019/03/06 CHK'D: MKIPPER 2019/03/27 APPR: FSMITH 2019/04/01
▽ = 0	1 PLACE ±	± 0.36	INITIAL REVISION: DRWN: ZHARPER 2017/07/14 APPR: FSMITH 2017/07/31
▽ = 0	0 PLACES ±	±	DOCUMENT NUMBER: 16250901-SD DOC TYPE: PSD DOC PART: 000 REVISION: A2
▽ = 0	ANGULAR TOL	± 0.5°	MATERIAL NUMBER: SEE CHART CUSTOMER:
▽ = 0	DRAFT WHERE APPLICABLE MUST REMAIN WITHIN DIMENSIONS	THIRD ANGLE PROJECTION	SERIES: 1625 SHEET NUMBER: 1 OF 3
▽ = 0		DRAWING: B-SIZE	

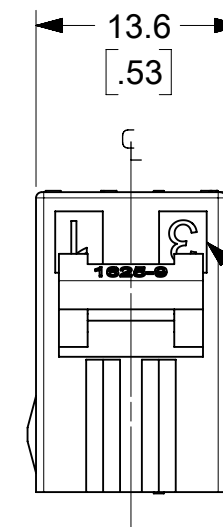
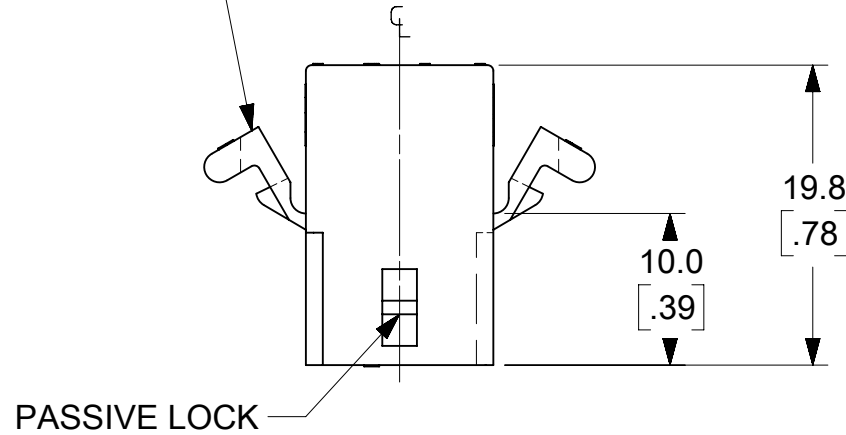
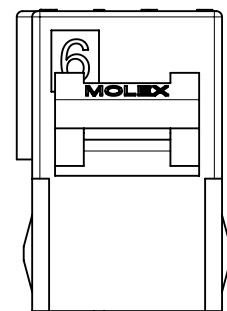


PREBENT MOUNTING EARS

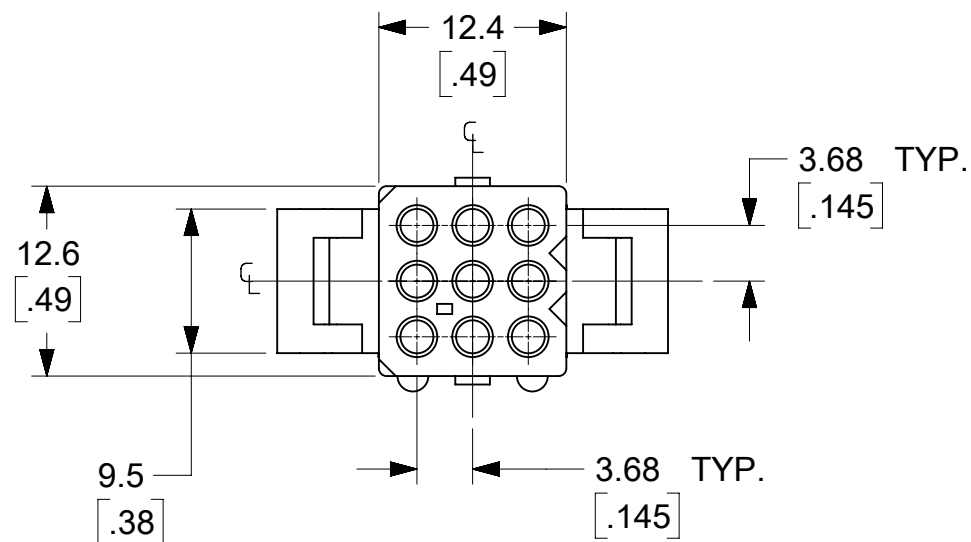


NO MOUNTING EARS

OPTIONAL MOUNTING EARS
(2 PL.)
SEE DETAIL A
ON SHEET 3



CIRCUIT I.D. (3-PL) $\triangle 7$



RECEPTACLE

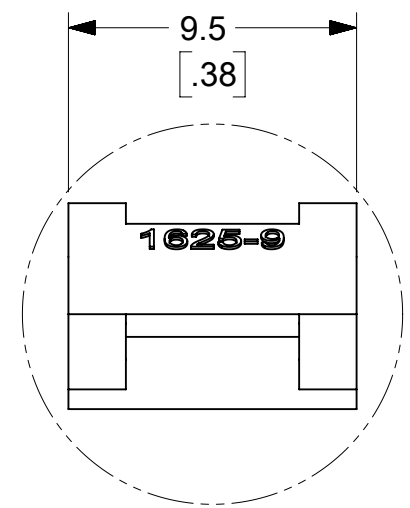
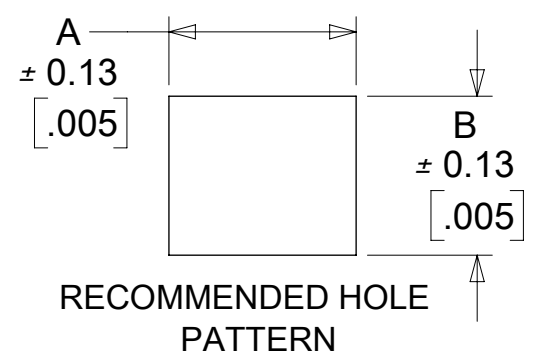
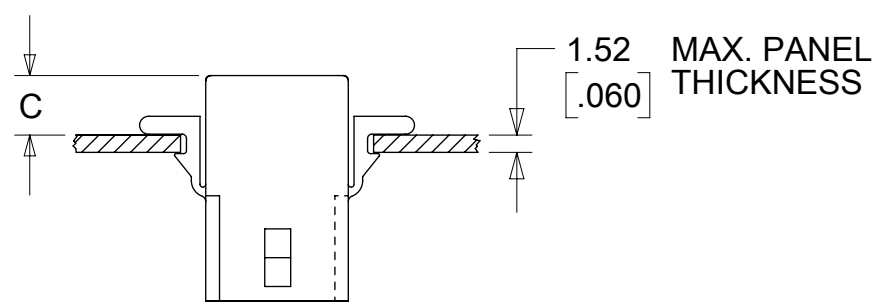
SYMBOLS	THIS DRAWING CONTAINS INFORMATION THAT IS PROPRIETARY TO MOLEX ELECTRONIC TECHNOLOGIES, LLC AND SHOULD NOT BE USED WITHOUT WRITTEN PERMISSION										
	DIMENSION UNITS		SCALE		CURRENT REV DESC: REVISE NOTE 3						molex
$\nabla = 0$	MM/IN		2:1		GENERAL TOLERANCES (UNLESS SPECIFIED)						
$\nabla = 0$	4 PLACES \pm				EC NO: 613316						
$\nabla = 0$	3 PLACES \pm		± 0.01		DRWN: JEHRISMAN 2019/03/06						
$\nabla = 0$	2 PLACES \pm		$\pm 0.25 \pm 0.014$		CHK'D: MKIPPER 2019/03/27						
$\nabla = 0$	1 PLACE \pm		$\pm 0.36 \pm$		APPR: FSMITH 2019/04/01						
$\nabla = 0$	0 PLACES \pm				INITIAL REVISION:						
$\nabla = 0$	ANGULAR TOL $\pm 0.5^\circ$				DRWN: ZHARPER 2017/07/14						
$\nabla = 0$	DRAFT WHERE APPLICABLE MUST REMAIN WITHIN DIMENSIONS		THIRD ANGLE PROJECTION		DRAWING		SERIES		MATERIAL NUMBER		
					B-SIZE		1625		SEE CHART		

.062 9CKT PLUG AND RECEPTACLE HOUSING			
PRODUCT CUSTOMER DRAWING			
DOCUMENT NUMBER	DOC TYPE	DOC PART	REVISION
16250901-SD	PSD	000	A2
CUSTOMER		SHEET NUMBER	
SEE CHART		2 OF 3	

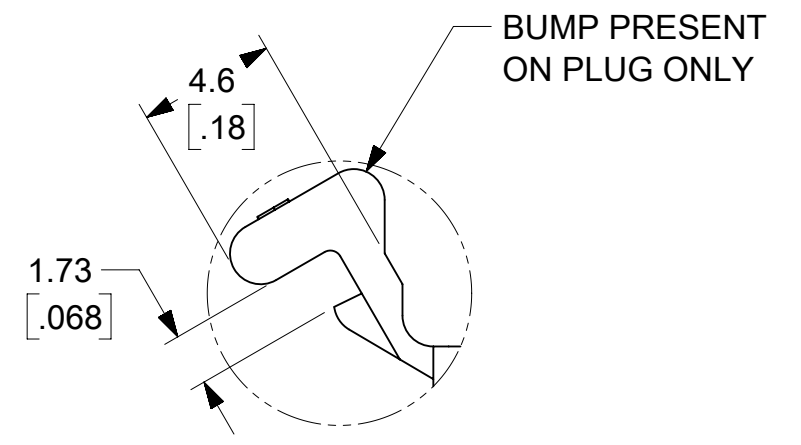
9 CIRCUIT PLUG		
PART NO.	ENG. NO.	EARS
46999-0718	1625-9P4-1	PREBENT

9 CIRCUIT RECEPTACLE		
PART NO.	ENG. NO.	EARS
50-36-2281	1625-9R4-1	PREBENT

RECEPTACLE	16.51 [.650]	14.02 [.552]	5.6 [.22]
PLUG	19.10 [.752]	15.62 [.615]	5.3 [.21]
PART	DIM. A	DIM. B	DIM. C PREBENT EAR



DETAIL B
PREBENT MOUNTING EAR
SCALE 4:1



DETAIL A
PREBENT MOUNTING EAR
SCALE 4:1

NOTES:

1. MATERIAL: NYLON (PA 6), UL94V-2, GLOW WIRE CAPABLE PER IEC 60335-1, COLOR: BLACK
2. FINISH: NONE
3. PRODUCT SPECIFICATION: PS-02-06 WITH EXCEPTION THAT TERMINAL RETENTION IS 15 LBS / 66.7 N MIN.
4. PACKAGING SPECIFICATION: PK-1625-003
5. HOUSINGS FOR USE WITH MOLEX .062 DIAMETER TERMINALS.
6. SOME PARTS MAY HAVE THIS CORNER CHAMFERED.
7. CIRCUIT I.D. NUMBERS APPEAR ONLY ON TOOLS BUILT AFTER 1992/11/01
8. PARTS CONFORM TO CLASS B REQUIREMENTS OF COSMETIC SPECIFICATION PS-45499-002 WITH THE EXCEPTION OF SINK AND DISCOLORATION MEET CLASS 'C' REQUIREMENTS.
9. THIS DRAWING REPLACES SD-1625-9**

THIS DRAWING CONTAINS INFORMATION THAT IS PROPRIETARY TO MOLEX ELECTRONIC TECHNOLOGIES, LLC AND SHOULD NOT BE USED WITHOUT WRITTEN PERMISSION									
SYMBOLS	DIMENSION UNITS		SCALE		CURRENT REV DESC: REVISE NOTE 3				
	▽ = 0	MM	IN	2:1					
▽ = 0	GENERAL TOLERANCES (UNLESS SPECIFIED)								
▽ = 0		MM	INCH	EC NO: 613316					
▽ = 0	4 PLACES	±		DRWN: JEHRISMAN		2019/03/06			
▽ = 0	3 PLACES	±	± 0.01	CHK'D: MKIPPER		2019/03/27			
▽ = 0	2 PLACES	±	± 0.014	APPR: FSMITH		2019/04/01			
▽ = 0	1 PLACE	±	± 0.36	INITIAL REVISION:					
▽ = 0	0 PLACES	±		DRWN: ZHARPER		2017/07/14			
▽ = 0	ANGULAR TOL ± 0.5°			APPR: FSMITH		2017/07/31			
▽ = 0	DRAFT WHERE APPLICABLE MUST REMAIN WITHIN DIMENSIONS			THIRD ANGLE PROJECTION		DRAWING		SERIES	
▽ = 0				B-SIZE		1625		MATERIAL NUMBER	
				SEE CHART		CUSTOMER		SHEET NUMBER	

molex

.062 9CKT PLUG AND RECEPTACLE HOUSING

PRODUCT CUSTOMER DRAWING

DOCUMENT NUMBER	DOC TYPE	DOC PART	REVISION
16250901-SD	PSD	000	A2