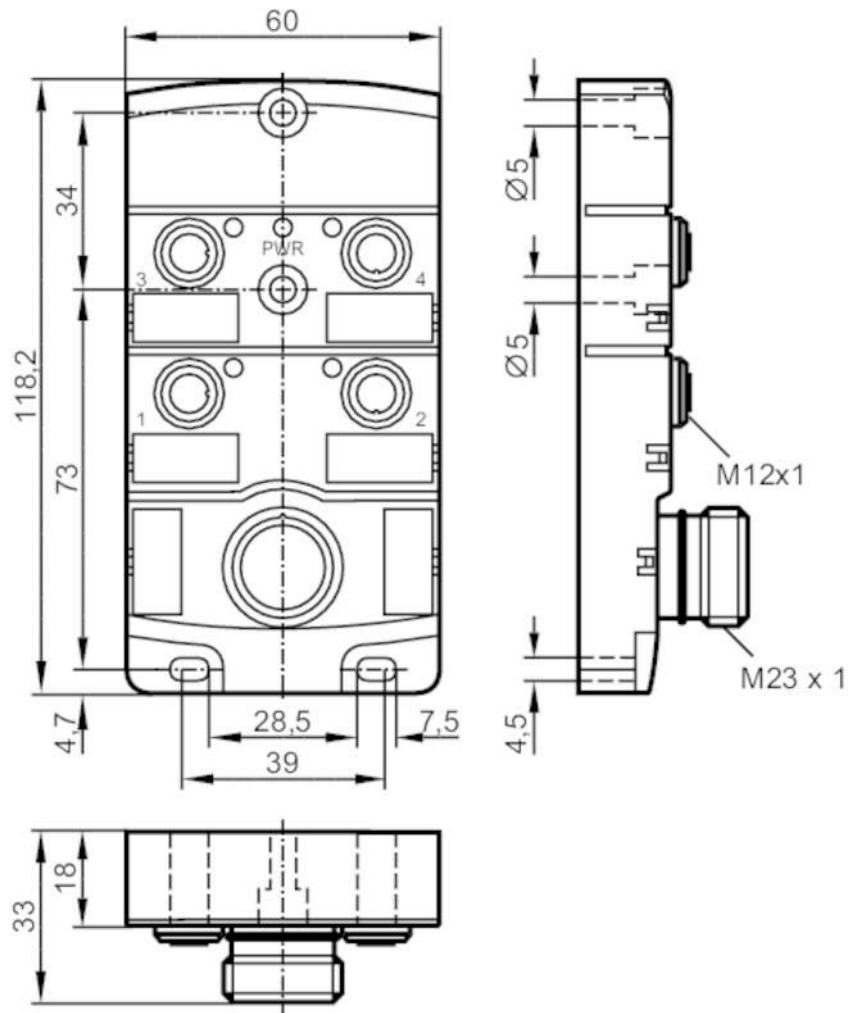


EBC002



Splitter box

ZDO4H055MSS0000-00STAK120MSS



Application

Special feature	Free from silicone; Gold-plated contacts
Free from silicone	yes

Electrical data

Operating voltage	[V]	10...30 DC; ("supply class 2" to cULus)
Max. current load per module/slot	[A]	4
Max. current load total	[A]	10

Outputs

Electrical design	PNP
-------------------	-----



Splitter box

ZDO4H055MSS0000-00STAK120MSS

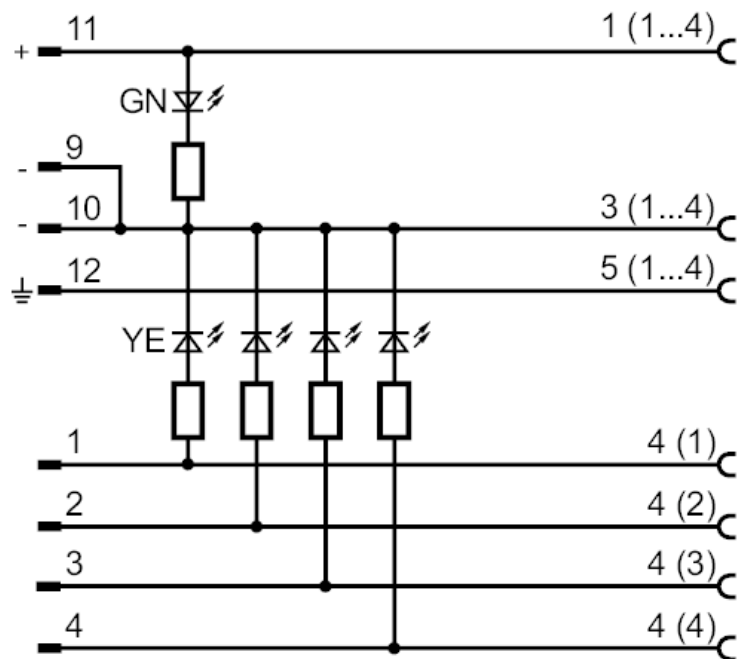
Operating conditions		
Ambient temperature	[°C]	-25...80
Protection		IP 67
Tests / approvals		
UL approval	Enclosure type	Type 1
Mechanical data		
Weight	[g]	224.5
Dimensions	[mm]	33 x 60 x 118.2
Materials		PA
Moulded-body material		PA
Number of ports splitter box		4
Connector type		M12
Displays / operating elements		
Display	switching status	4 x LED, yellow
	operation	1 x LED, green
Accessories		
Items supplied		Protective caps: 2 labels: 4
Remarks		
Pack quantity		1 pcs.
Electrical connection - Connection		
Connector: 1 x M23; Moulded body: PA; Contacts: gold-plated; Tightening torque: 0.8...1.5 Nm		



Splitter box

ZDO4H055MSS0000-00STAK120MSS

Connection



Electrical connection - slot

Connector: 4 x M12; coding: A; Moulded body: PA; Contacts: gold-plated; Tightening torque: 0.8...1.5 Nm

