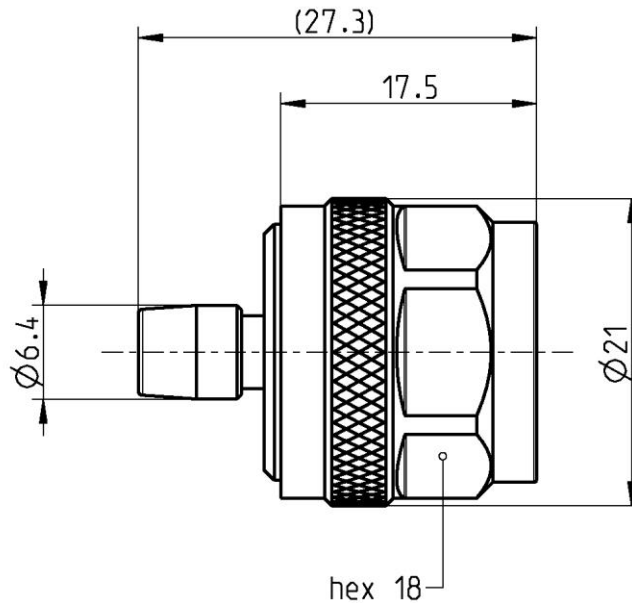


SMB  
N 50 Ω

Adaptor  
SMB Jack – N Plug

**59K153-S00L5**



All dimensions are in mm; tolerances according to ISO 2768 m-H

**Interface**

According to	SMB side:	IEC 60169-10, CECC 22130, MIL-PRF-39012
	N side:	IEC 61169-16, MIL-PRF-39012, CECC 22210

**Documents**

N/A

**Material and plating**

**Connector parts**

Center contact  
Outer contact SMB side  
Outer contact N side  
Dielectric  
Coupling nut N side  
Gasket

**Material**

CuBe  
CuBe  
Brass  
PTFE  
Brass  
Silicone

**Plating**

AuroDur®, gold plated  
AuroDur®, gold plated  
Nickel, 2.5-5 µm  
Flash white bronze over silver(e.g. Optargen®)

**Electrical data**

Impedance	50 Ω
Frequency	DC to 4 GHz
Return loss	≥ 25 dB, DC to 1 GHz ≥ 22 dB, 1 to 4 GHz
Insertion loss	≤ 0.05 √f(GHz) x dB
Insulation resistance	≥ 1x10 <sup>3</sup> MΩ
Center contact resistance	≤ 5 mΩ, SMB side      ≤ 1 mΩ, N side
Outer contact resistance	≤ 2.5 mΩ, SMB side    ≤ 0.25 mΩ, N side
Test voltage	750 V rms, 50 Hz, at sea level
Working voltage	≤ 250 V rms, 50 Hz, at sea level
Contact current	1.5 A DC typ.
RF-leakage	≥ 55 dB up to 1 GHz

**Mechanical data**

	SMB side	N side
Mating cycles	min. 500	min. 500
Coupling nut retention	N/A	≥ 450 N
Center contact captivation: axial	≥ 10 N	≥ 10 N
Engagement force	≤ 63 N	N/A
Disengagement force	8 N min. to 63 N max.	N/A
Coupling test torque	N/A	max. 1.7 Nm
Recommended torque	N/A	0.7 Nm to 1.1 Nm

**Environmental data**

Temperature range	-55°C to +155°C
Thermal shock	MIL-STD-202, Meth. 107, Cond. B
Vibration	MIL-STD-202, Meth. 204, Cond. B
Corrosion	MIL-STD-202, Meth. 101, Cond. B
Moisture resistance	MIL-STD-202, Meth. 106
RoHS	compliant

**Tooling**

N/A

**Suitable cables**

N/A

**Weight**

Weight 26.9 g/pce

While the information has been carefully compiled to the best of our knowledge, nothing is intended as representation or warranty on our part and no statement herein shall be construed as recommendation to infringe existing patents. In the effort to improve our products, we reserve the right to make changes judged to be necessary.

For the installation of the electrotechnical equipment, particular electrotechnical expertise is required.



Draft	Date	Approved	Date	Rev.	Engineering change number	Name	Date
Inge Mühlauer	14.12.04	Chr. Janßen	04.02.21	e00	20-1927	S. Huber-Siegl	04.02.21