

PART NUMBER	PACKAGING
149-0901-801	ONE PIECE PER BAG

REV	ECO	DATE
3	EC-2007004	06JUL2020
4	-	30JUL2020
5	EC-2007028	05NOV2020

NOTES:

1. MATERIAL AND FINISH:

- 1.1 BODY: BERYLLIUM COPPER, GOLD PLATE
- 1.2 CONTACT: BERYLLIUM COPPER, GOLD PLATE
- 1.3 MAIN INSULATOR: ULTEM 1000, AMBER
- 1.4 MOUNTING INSULATOR: PTFE
- 1.5 SHELL: STAINLESS STEEL, PASSIVATED
- 1.6 C-RING: BERYLLIUM COPPER
- 1.7 LOCK RING: BERYLLIUM COPPER, GOLD PLATE

2. ELECTRICAL SPECIFICATIONS:

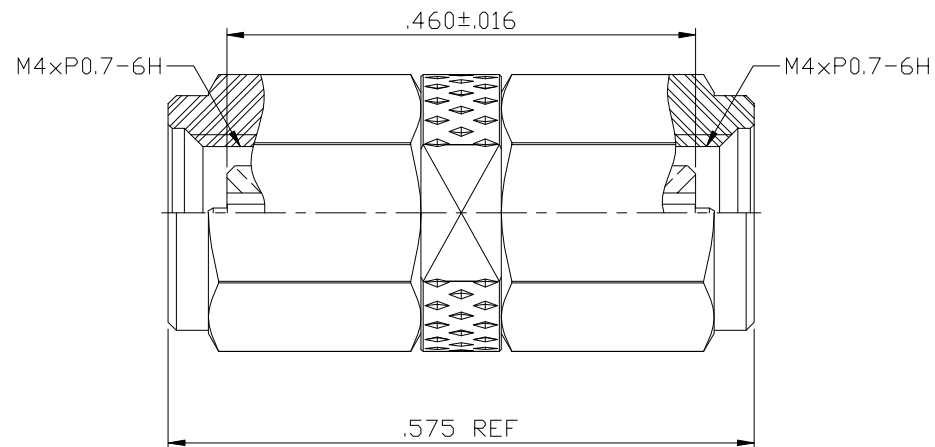
- 2.1 IMPEDANCE: 50 OHMS NOMINAL
- 2.2 FREQUENCY RANGE: DC~110 GHz
- 2.3 VSWR: 1.30 MAX.
- 2.4 DIELECTRIC WITHSTANDING VOLTAGE: 500 VRMS MIN.
- 2.5 INSULATION RESISTANCE: 5000 MEGOHM MIN.
- 2.6 CONTACT RESISTANCE:
 - 2.6.1 CENTER CONTACT - 4.0 MILLIOHM MAX.
 - 2.6.2 OUTER CONDUCTOR - 1.0 MILLIOHM MAX.

3. MECHANICAL SPECIFICATIONS:

- 3.1 INTERFACE STANDARD: IEEE 287 GPC
- 3.2 MATING TORQUE: 0.35 Nm MAX.
- 3.3 COUPLING PROOF TORQUE: 0.7 Nm MIN.
- 3.4 COUPLING NUT RETENTION FORCE: 220 N MIN.
- 3.5 CONTACT RETENTION FORCE: 10 N MIN.
- 3.6 DURABILITY: 500 CYCLES MIN.

4. ENVIRONMENTAL:

- 4.1 THERMAL SHOCK: MIL-STD-202, METHOD 107, CONDITION B
- 4.2 OPERATING TEMPERATURE: -65°C TO 165°C
- 4.3 MOISTURE RESISTANCE: MIL-STD-202, METHOD 106
- 4.4 MECHANICAL SHOCK: MIL-STD-202, METHOD 213, CONDITION I
- 4.5 VIBRATION: MIL-STD-202, METHOD 204, CONDITION D



	Model No:	149-0901-801/810	JOHNSON	
	No PROPRIETARY Document in Property of Cinch Connectivity Solutions. It is confidential in nature, non-transferable, and issued with the clear understanding that it is not to be used for other than purposes used in reference upon demand.	RoHS <input checked="" type="checkbox"/> EU/2015/863 COMPLIANT	Code Code UNLESS OTHERWISE SPECIFIED UNITS: MM	Title: 1.0MM MALE TO MALE ADAPTER
INTERPRET DRAWING IN ACCORDANCE WITH ASME Y14.5-2009.	Tolerances: .XXX ±.008 .XXXX ±.008 ANGLES ±5°	3RD ANGLE PROJECTION 	Drawn By: Bill Peng	Drawing No. 149-0901-801/810
		Date: 11/05/2020	Size B	DO NOT SCALE DRAWING
			Dimensions Shown NONE	Sheet 1 OF 1