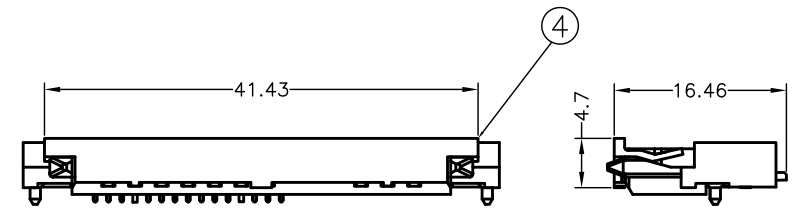
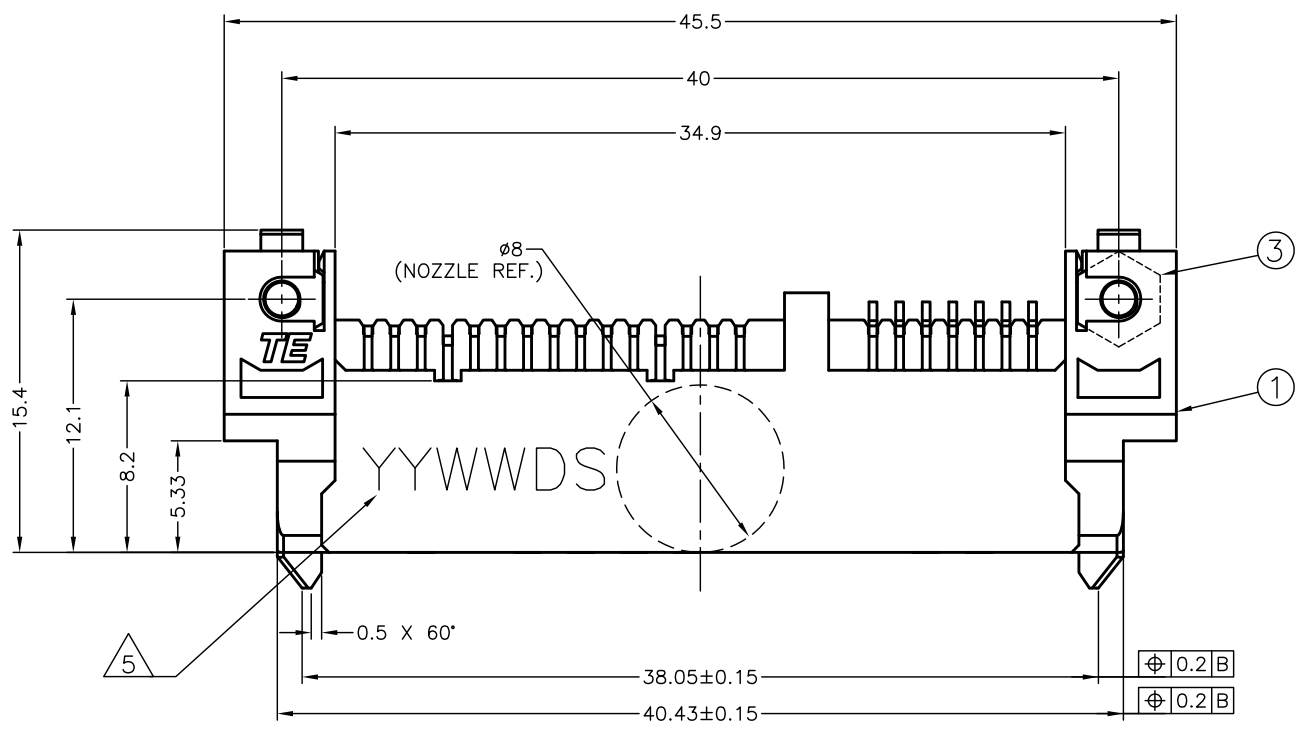


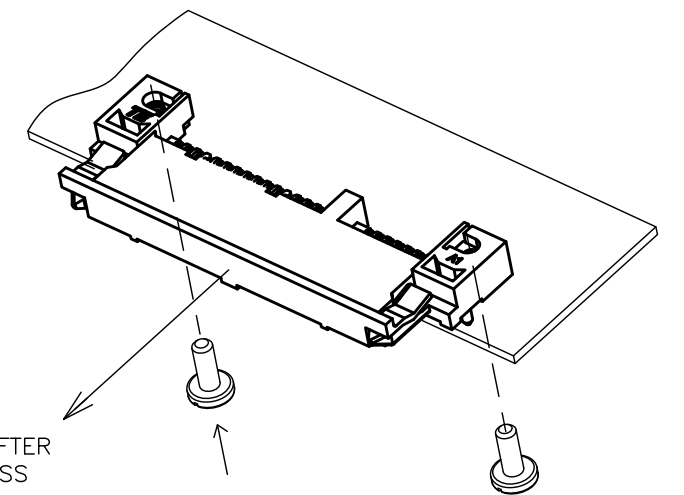
THIS DRAWING IS UNPUBLISHED. RELEASED FOR PUBLICATION  
 © COPYRIGHT By - ALL RIGHTS RESERVED.

LOC		DIST		REVISIONS			DATE	DWN	APVD
P	LTR	DESCRIPTION							
	A	RELEASED					20CT2013	V.P.	D.H.

- MATERIAL:  
 HOUSING: HIGH TEMPERATURE THERMOPLASTIC  
 UL94V-0, COLOR:BLACK  
 CONTACT: COPPER ALLOY  
 M2 NUT: COPPER ALLOY  
 CAP: HIGH TEMPERATURE THERMOPLASTIC  
 UL94V-0
  - FINISH:  
 CONTACT: GOLD FLASH 0.13µm PLATING ON CONTACT AREA,  
 MATTE-TIN PLATING 2.5µm ON SOLDER TAILS.  
 NICKEL UNDER PLATING 1.3µm OVER ALL.
  - MEET HALOGEN FREE REQUIREMENT:  
 Cl 900 ppm MAX.  
 Br 900 ppm MAX.  
 Cl+Br 1500 ppm MAX.  
 EU ROHS-RELATED RESTRICTED SUBSTANCE SPEC IN  
 HOMOGENEOUS MATERIAL REFER TO TEC-138-702  
 REV.G:  
 LEAD < 1000PPM  
 CADMIUM < 100PPM  
 MERCURY < 1000PPM  
 CHROMIUM VI < 1000PPM  
 PBB <1000PPM  
 PBDE < 1000PPM
- 4 M2 SCREW TORQUE: 2 kgf-cm  
 SCREW LENGTH FOR REFERENCE
- 5 DATE CODE  
 Y Y W W D S  
 IDENTIFICATION OF SHIFT (D OR N)  
 DAY OF WEEK  
 WEEK OF YEAR  
 THE LAST 2 DIGITS OF YEAR

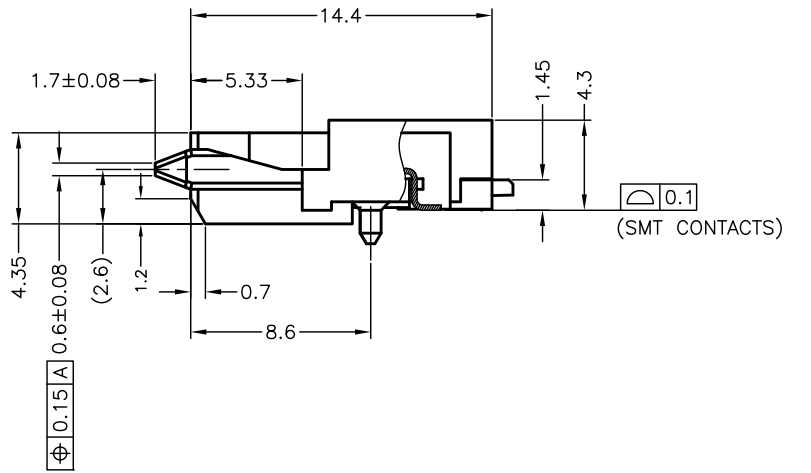
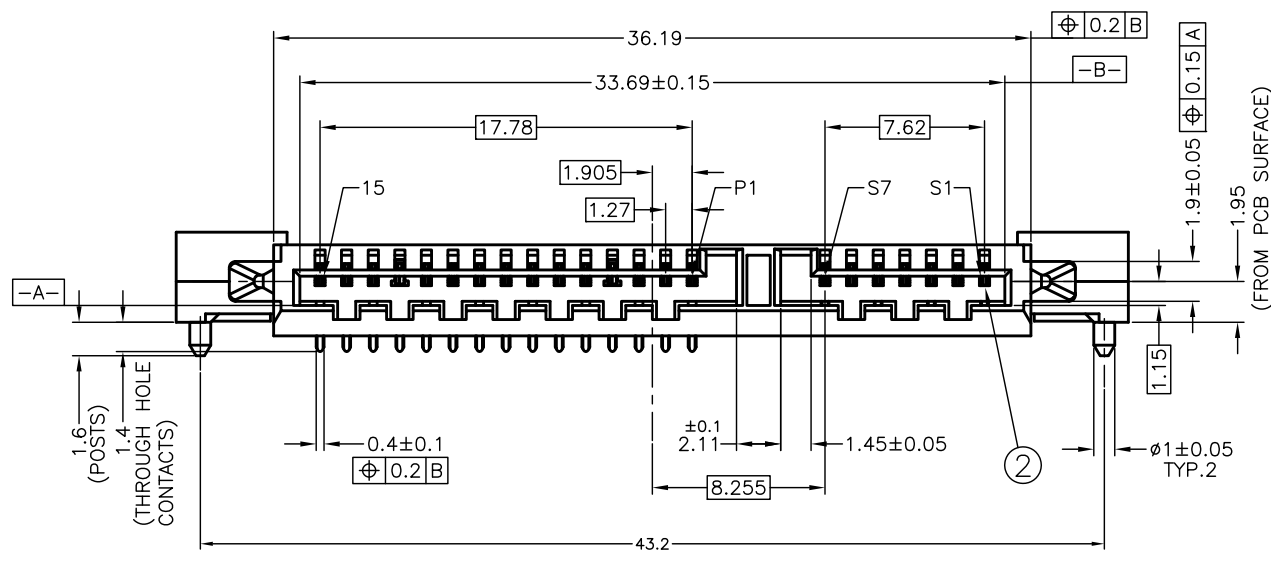
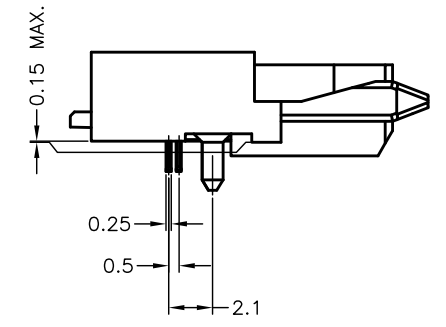


VIEW WITH CAP



REMOVE CAP AFTER REFLOW PROCESS

SCREW M2, 2 PCS. FROM BOTTOM SIDE OF P.C.B.

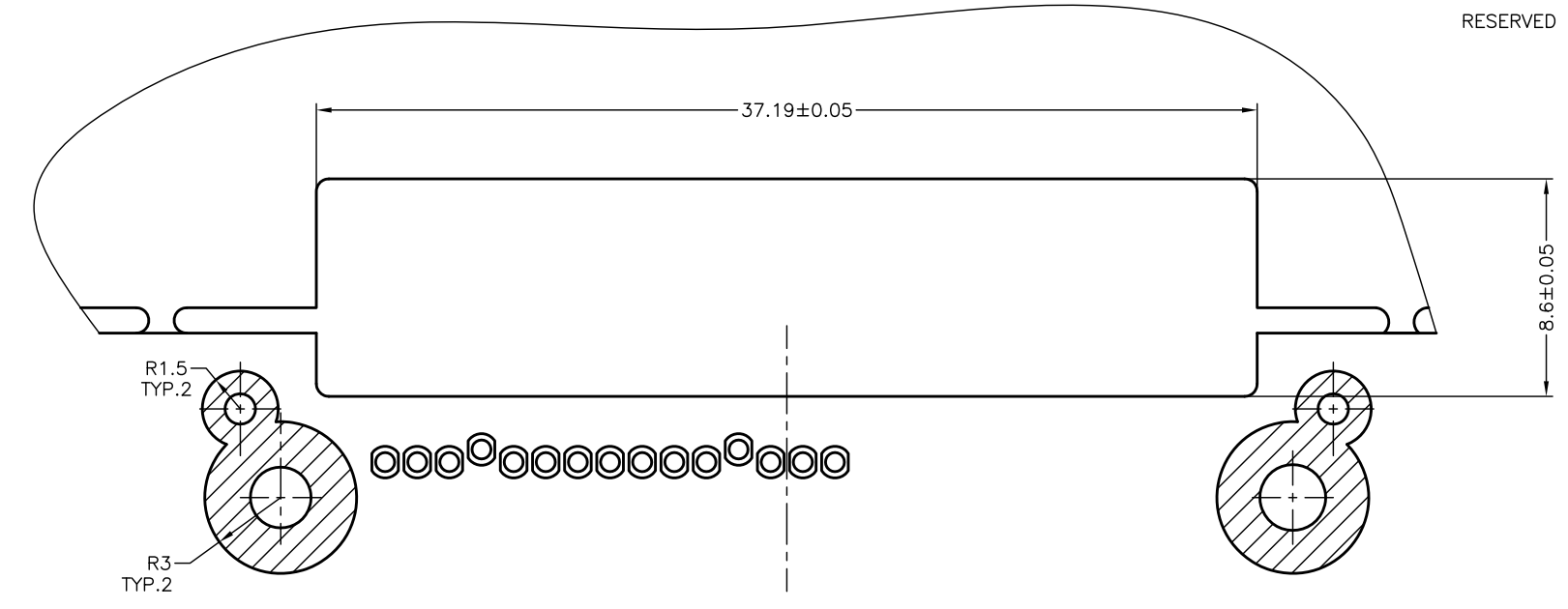
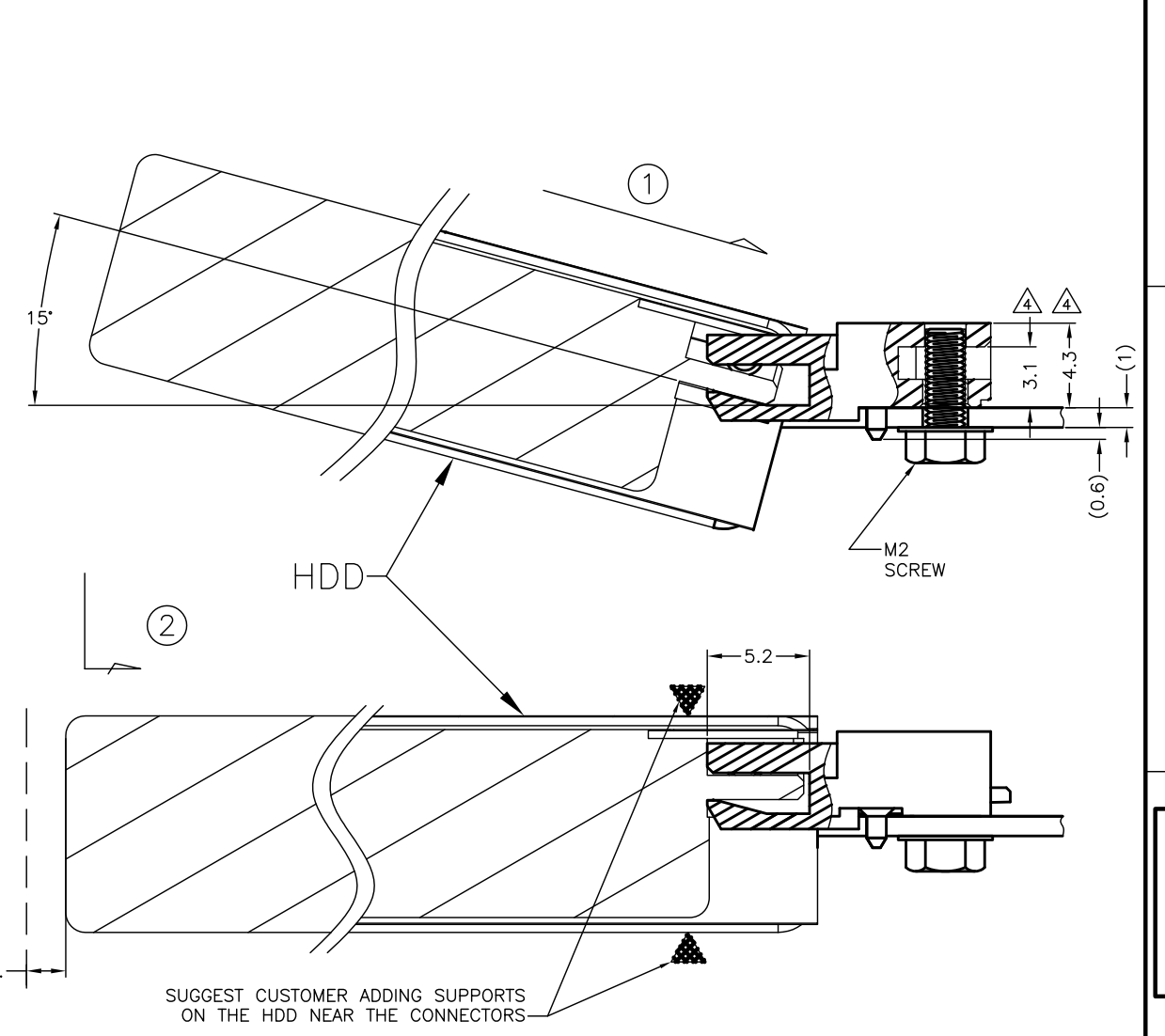
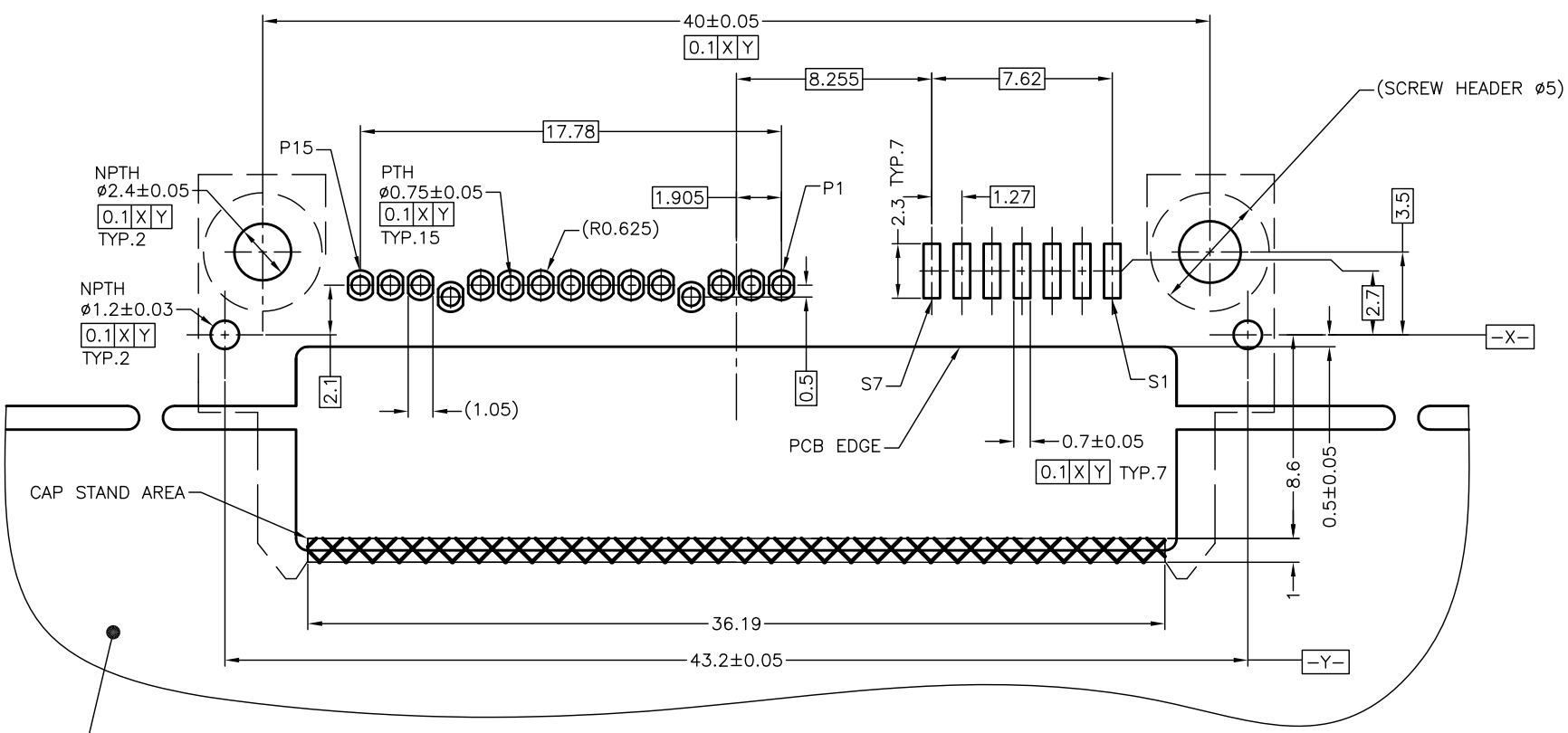


VIEW WITHOUT CAP

2129475-1  
 PART NUMBER

THIS DRAWING IS A CONTROLLED DOCUMENT.		DWN V.PENG 20CT2013	 TE Connectivity	2129475-1		
DIMENSIONS: mm		CHK V.PENG 20CT2013		SLANT INSERTION, REVERSED TYPE SATA CONNECTOR		
TOLERANCES UNLESS OTHERWISE SPECIFIED:		APVD D.HALBERSTADT 20CT2013		NAME		
0 PLC ± 0.25 1 PLC ± 0.25 2 PLC ± 0.25 3 PLC ± 0.25 4 PLC ± - ANGLES ± 3°		PRODUCT SPEC		SIZE CAGE CODE DRAWING NO		
MATERIAL SEE NOTE		FINISH SEE NOTE	APPLICATION SPEC	RESTRICTED TO		
		WEIGHT 2.5 GRAM	SIZE A2	00779-2129475		
		CUSTOMER DRAWING	SCALE 4:1	SHEET 1 of 3	REV A	

LOC		DIST		REVISIONS			
P	LTR	DESCRIPTION	DATE	DWN	APVD		
-	-	SEE SHEET 1	-	-	-		

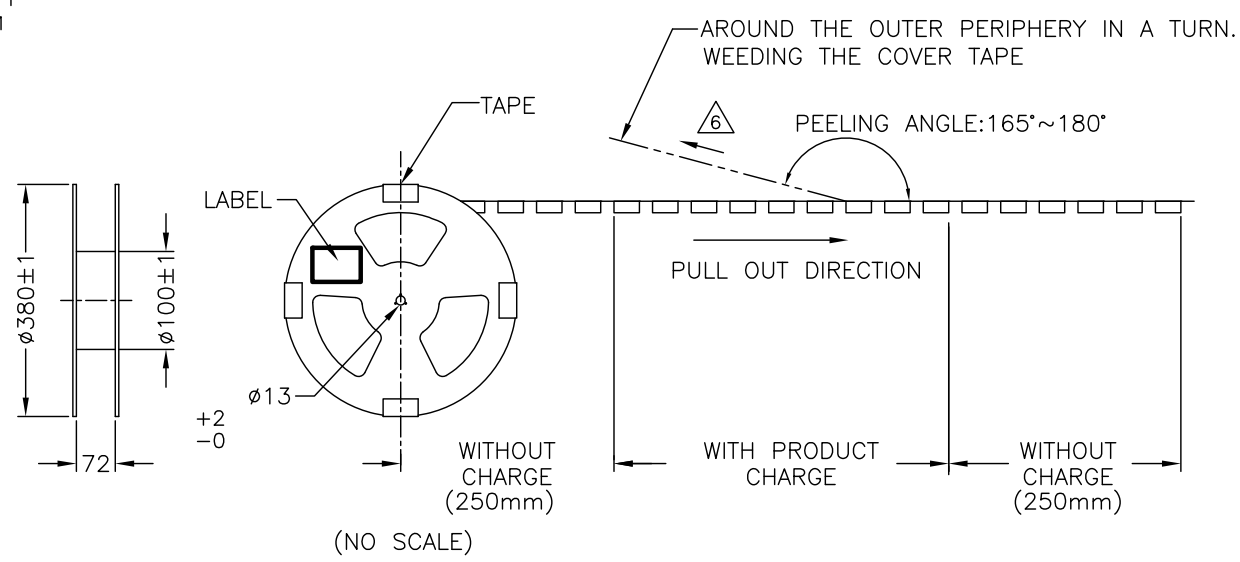
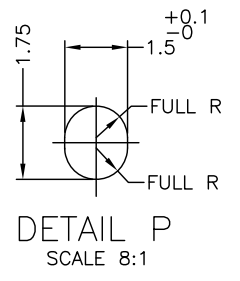
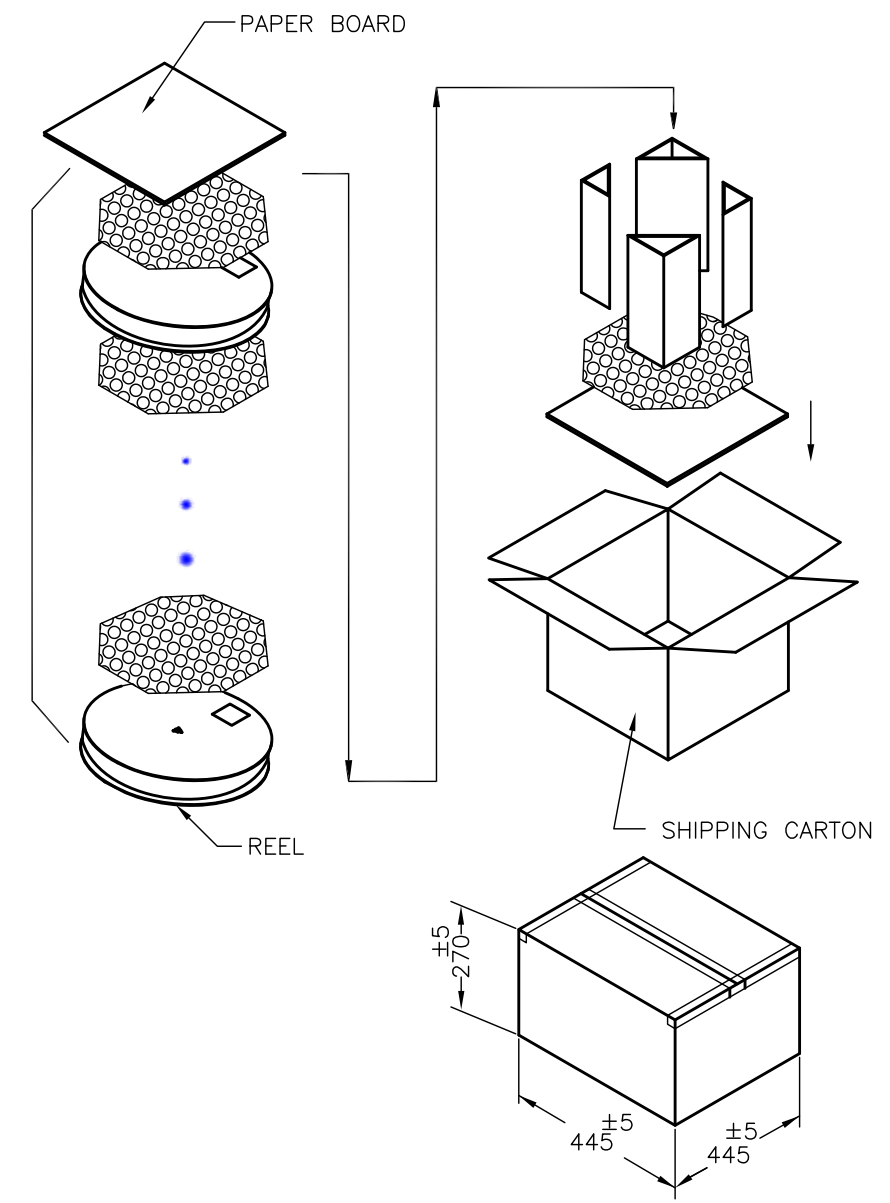
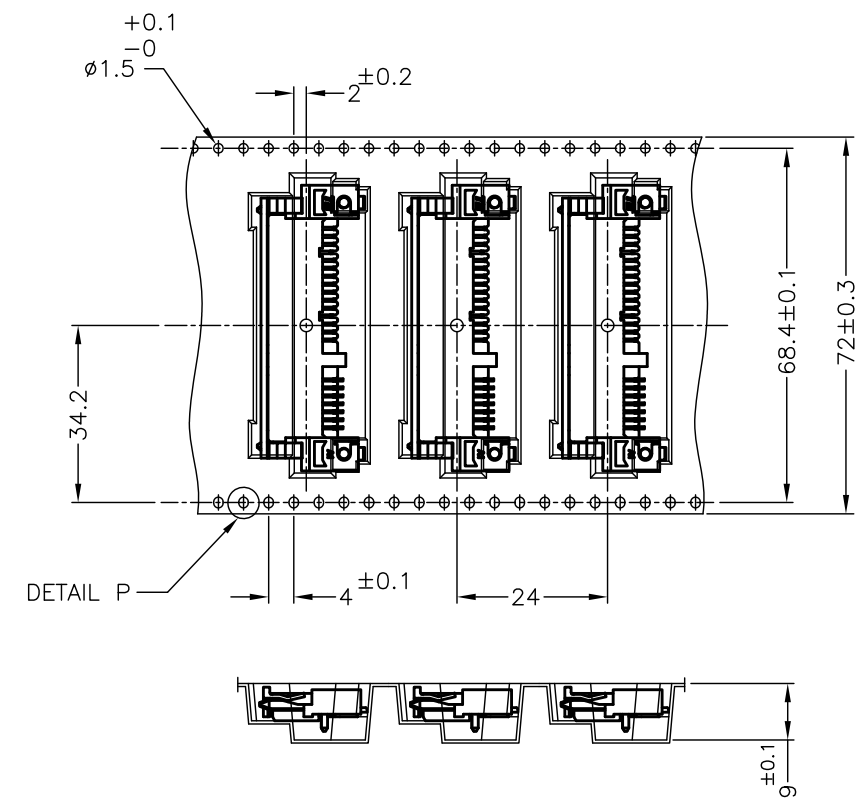


THIS DRAWING IS A CONTROLLED DOCUMENT.		DWN	<b>STE</b> TE Connectivity	
DIMENSIONS: mm		CHK		
TOLERANCES UNLESS OTHERWISE SPECIFIED:		APVD	NAME	
0 PLC ± 0.1	1 PLC ± 0.1	PRODUCT SPEC	SLANT INSERTION, REVERSED TYPE SATA CONNECTOR	
2 PLC ± 0.1	3 PLC ± 0.1	APPLICATION SPEC	SIZE	CAGE CODE
4 PLC ± -	ANGLES ± 3°	WEIGHT	A2	00779
MATERIAL	FINISH	CUSTOMER DRAWING	DRAWING NO	2129475
		SCALE	4:1	SHEET 2 of 3
		REV	A	

2129475

THIS DRAWING IS UNPUBLISHED. RELEASED FOR PUBLICATION  
 © COPYRIGHT By - ALL RIGHTS RESERVED.

LOC		DIST		REVISIONS		
DW		P	LTR	DESCRIPTION	DATE	APVD
		-	-	SEE SHEET 1	-	-



6. PEELING STRENGTH OF COVER TAPE: 0.2N ~1.2N  
 7. PACKING MATERIAL: CARRY TAPE:HIPS;COLOR:CLEAR  
 COVER TAPE:PET;COLOR:CLEAR

8. QUANTITY:

	PCS/REEL	REEL/BOX	PCS/BOX
2129475-1	400	3	1200

THIS DRAWING IS A CONTROLLED DOCUMENT.

DWN	CHK	APVD	PRODUCT SPEC	APPLICATION SPEC	WEIGHT	CUSTOMER DRAWING
TE Connectivity NAME: SLANT INSERTION, REVERSED TYPE SATA CONNECTOR			SIZE: A2	CAGE CODE: 00779	DRAWING NO: 2129475	RESTRICTED TO
DIMENSIONS: mm		TOLERANCES UNLESS OTHERWISE SPECIFIED:		SCALE: N/A		
		0 PLC $\pm 0.25$ 1 PLC $\pm 0.25$ 2 PLC $\pm 0.25$ 3 PLC $\pm 0.25$ 4 PLC $\pm$ ANGLES $\pm 3^\circ$		SHEET 3 of 3		
MATERIAL		FINISH		REV A		