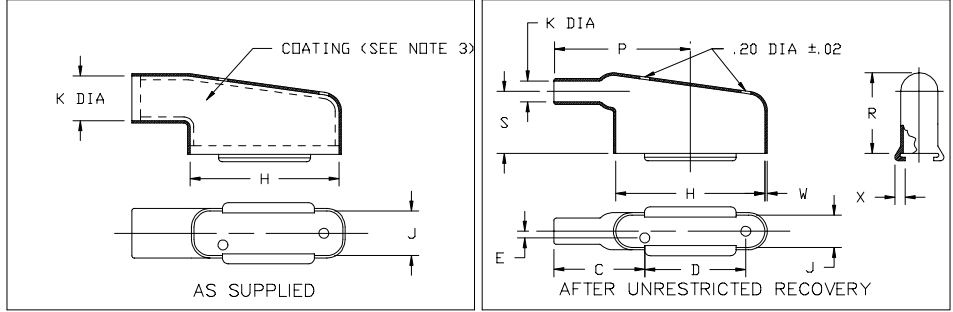


Thermofit[®] Molded Parts
 Specification Control Drawing
 Limited Distribution

Part Number : 234A032-X-01
 Description : Boot, Rectangular
 Subminiature, 90°
 End Entry

NOTES

- All dimensions are in $\frac{\text{inches}}{\text{[millimeters]}}$
- Dimensions appearing in table are as follows:
 a - As Supplied
 b - After Unrestricted Recovery
- Coating is optional. As supplied dimensions appearing in table are for uncoated parts. When coating is added, entry diameters will be reduced by .06 max.



PART NUMBER	H		J		K		P	R	S	W	X	C	D	E
	Min	±5%	Min	±5%	Min	Max	±10%	±10%	±10%	±20%	±20%	±10%	±10%	±20%
	a	b	a	b	a	b	b	b	b	b	b	b	b	b
234A032-X-01	1.66 [42,2]	1.66 [42,2]	.55 [14,0]	.42 [10,7]	.55 [14,0]	.29 [7,4]	1.69 [42,9]	1.10 [27,9]	.87 [22,1]	.04 [1,02]	.12 [3,05]	1.09 [27,7]	1.31 [33,3]	.10 [2,5]

Raychem

RAYCHEM CORPORATION
 300 CONSTITUTION DRIVE
 MENLO PARK, CALIFORNIA 94025

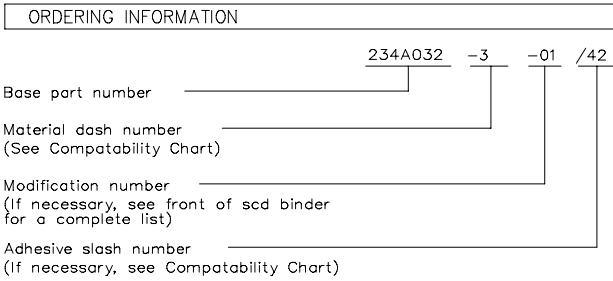
Revision : A
 Date : 8/13/97

Part Number : 234A032-X-01
 Description : Boot, Rectangular
 Subminiature, 90°
 End Entry

Thermofit[®] Molded Parts
 Specification Control Drawing
 Limited Distribution

Part Number : 234A032-X-01
 Description : Boot, Rectangular
 Subminiature, 90°
 End Entry

MATERIAL DASH NO.	MATERIAL DESCRIPTION	RT SPEC	COATING SLASH NO.	COATING S NO.	COATING DESCRIPTION
-3	Polyolefin, Semi-rigid	RT-301	/42	S-1017	Adhesive



THIS DRAWING IS SUBJECT TO CHANGE WITHOUT NOTICE; CONSULT YOUR
 NEAREST FIELD REPRESENTATIVE FOR CURRENT REVISION

If this document is printed it becomes uncontrolled.
 Check for the latest revision.

Raychem

RAYCHEM CORPORATION
 300 CONSTITUTION DRIVE
 MENLO PARK, CALIFORNIA 94025

Revision : A
 Date : 8/13/97

Part Number : 234A032-X-01
 Description : Boot, Rectangular
 Subminiature, 90°
 End Entry

CAD FILE MP97140