



Electrical Specifications

Center Frequency: 2097.5 MHz
Bandwidth: 12 MHz
Passband: 2091.5-2103.5 MHz
Insertion Loss: 2.5 dB Max
VSWR: 1.50:1 Max
Ripple: 0.5 dB Max
Rejection: >50 dB @ $F_o \pm 15$ MHz
Impedance: 50 Ohms In/Out
Power Handling: 100 W CW

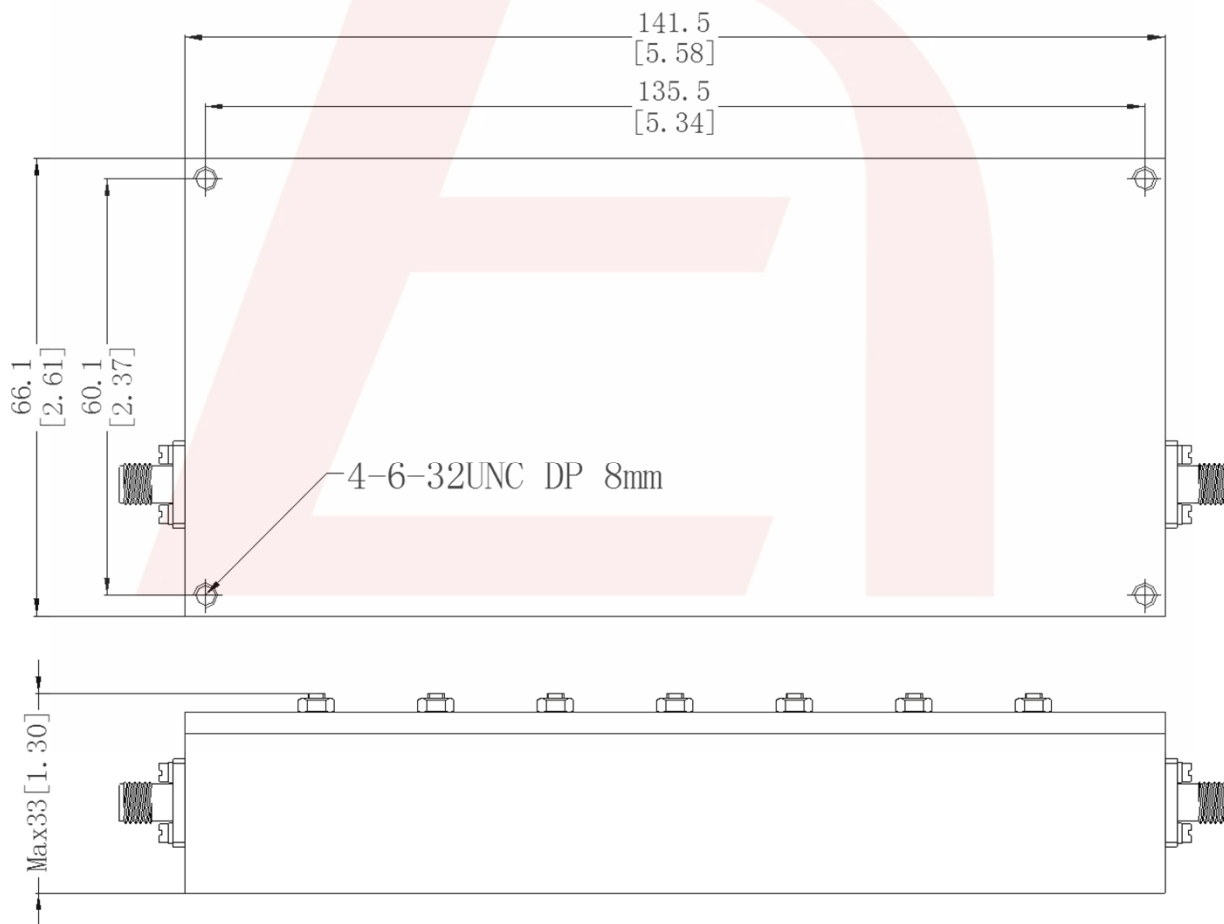
Mechanical

Mounting Method: N-Type (F)
Dimensions: 5.58 x 2.61 x 1.30 Inches

Environmental

Operating Temperature: -45 to +85° C
Storage Temperature: -55 to +95° C
Shock: 20G, 11ms
Vibration: 20G, 5-200 MHz

Outline Drawing:



Tolerance: ± 0.3 mm