

# TAS5414CEVM User Guide

## User's Guide



Literature Number: SLOU359  
January 2013

---



---



---

<b>1</b>	<b>Quick-Start Guide</b> .....	<b>5</b>
1.1	Overview .....	5
1.2	Software Installation .....	5
1.3	Connections .....	6
1.4	Initial Power Up .....	6
1.5	Basic Graphical User Interface Controls .....	7
<b>2</b>	<b>EVM Description</b> .....	<b>7</b>
2.1	Description of Inputs .....	7
2.2	Description of Outputs .....	8
2.3	Controls .....	9
2.4	Indicator Description .....	9
<b>3</b>	<b>Graphical User Interface</b> .....	<b>9</b>
3.1	Introduction .....	9
3.2	Software Installation .....	9
3.3	Hardware Installation .....	9
3.4	Using the GUI .....	9
<b>4</b>	<b>TAS5414/TAS5424C EVM Schematics</b> .....	<b>12</b>
<b>5</b>	<b>Board Layouts</b> .....	<b>16</b>
<b>6</b>	<b>Bill of Materials</b> .....	<b>24</b>
<b>7</b>	<b>Related Documentation from Texas Instruments</b> .....	<b>27</b>

## List of Figures

1	EVM to I <sup>2</sup> C Device Connections .....	5
2	Connections for Input, Speaker Loads, Power, and I <sup>2</sup> C .....	6
3	End Panel for I <sup>2</sup> C Connections .....	6
4	Main Window .....	7
5	Wiring Harness for Power and Speaker Connections.....	8
6	Power and Speaker Connections to the EVM.....	8
7	TAS5414CPHD Top Layer .....	16
8	TAS5414CPHD Mid Layer Level 1 .....	16
9	TAS5414CPHD Mid Layer Level 2 .....	17
10	TAS5414CPHD Bottom Layer .....	17
11	TAS5414CPHD Top Silkscreen Overlay .....	18
12	TAS5414CPHD Bottom Silkscreen Overlay .....	18
13	TAS5414CDKD Top Layer .....	19
14	TAS5414CDKD Mid Layer Level 1 .....	19
15	TAS5414CDKD Mid Layer Level 2 .....	20
16	TAS5414CDKD Bottom Layer .....	20
17	TAS5414CDKD Top Silkscreen Overlay .....	21
18	TAS5414CDKD Bottom Silkscreen Overlay .....	21
19	TAS5424CDKD Top Layer .....	22
20	TAS5424CDKD Mid Layer Level 1 .....	22
21	TAS5424CDKD Mid Layer Level 2 .....	23
22	TAS5424CDKD Bottom Layer .....	23
23	TAS5424CDKD Top Silkscreen Overlay .....	24

---

## List of Tables

1	Bill of Materials for TAS5414CPHD .....	24
2	Bill of Materials for TAS5414CDKD .....	25
3	Bill of Materials for TAS5424CDKD .....	26

## TAS5414C EVM User Guide

The TAS5414C/TAS5424C evaluation module (EVM) is intended to be used to demonstrate the capabilities of the device. All the device features can be accessed through the hardware and the software graphical user interface (GUI) supplied. This user's guide contains a description of the EVM and the GUI. Included are the EVM schematics, bill of materials, and the board layout.

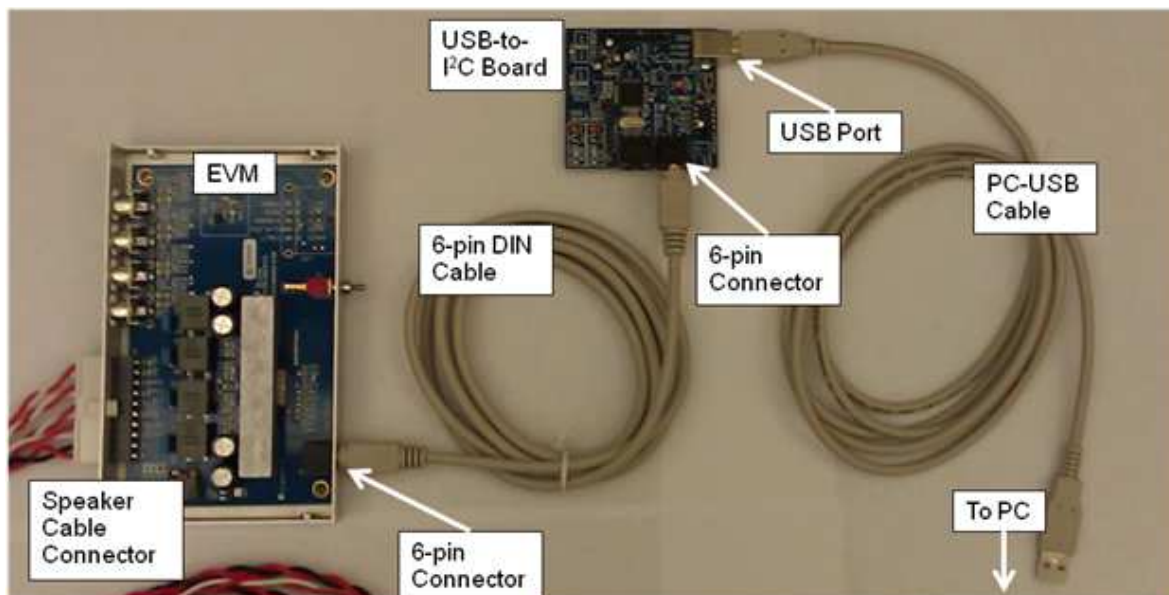
### 1 Quick-Start Guide

This section provides a guide to set up and power up the EVM without the details of its operation. For a more-detailed description, read the complete user's guide.

#### 1.1 Overview

The EVM consists of a single printed circuit board (PCB) mounted inside a metal chassis for EMC testing. The EVM must have an external I<sup>2</sup>C controller board to function. The USB-to-I<sup>2</sup>C controller board connects to a personal computer (PC) through a USB cable. The EVM connects to the I<sup>2</sup>C controller through a supplied 6-pin DIN cable. The PC needs the graphical user interface (GUI) software to control the EVM. See [Figure 1](#) for the device connections.

Software is available on the enclosed CDrom and provides the GUI, this document, and any other necessary documents. Hardware provided in the EVM modules consists of the EVM, an I<sup>2</sup>C controller board, a USB cable, a 6-pin DIN cable, and speaker cables.



**Figure 1. EVM to I<sup>2</sup>C Device Connections**

#### 1.2 Software Installation

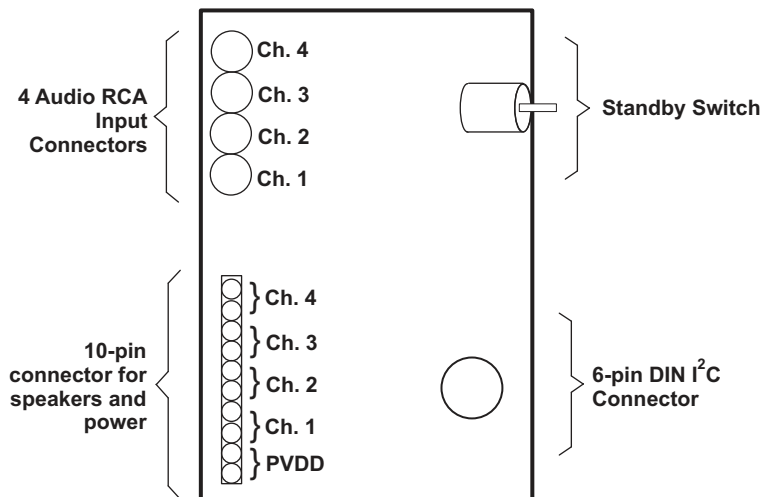
The software is provided on the TI Web site. Run the setup.exe program to install the GUI. For more details, see [Section 1.5, Basic Graphical User Interface Controls](#).

### 1.3 Connections

The connections are for an analog signal for the input, speaker loads, power, and I<sup>2</sup>C. The audio inputs are made through the four RCA connectors. The power connectors and speaker connectors are made using the 10-pin connector.

The I<sup>2</sup>C connections are made through a 6-pin DIN connector. The provided adapter PCB and cable connect the EVM to the PC. The adapter PCB is an I<sup>2</sup>C-to-USB converter, which is a human-interface device (HID) and is automatically recognized by the PC when connected. Therefore, no drivers are needed.

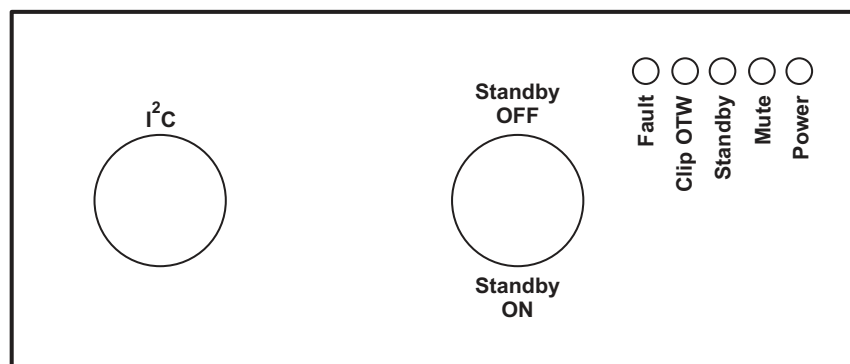
The basic connections are: PVDD or power is connected to the EVM through the supplied 10-pin connector with the twisted red and black wires. The speakers or loads are also connected through the same 10-pin connector with the twisted red and white wires. The 6-pin DIN is connected to the I<sup>2</sup>C-to-USB adapter board. See [Figure 2](#) for EVM input details.



**Figure 2. Connections for Input, Speaker Loads, Power, and I<sup>2</sup>C**

### 1.4 Initial Power Up

Before applying power, check to make sure the standby control switch is in the Standby OFF position, as shown in [Figure 3](#). If the switch is in the Standby ON position, then at power up the I<sup>2</sup>C LED indicator on the GUI is red (see [Section 3.4.3](#) for more details).



**Figure 3. End Panel for I<sup>2</sup>C Connections**

Apply power: the Standby, Mute, and Power LEDs should be on. The Fault LED may also be on, but not necessarily. This indicates that the unit is powered, and the TAS5414C or TAS5424C is in Standby Mode and Mute Mode. The fault indicated is an undervoltage fault during power up. This is normal and is cleared by reading I<sup>2</sup>C Register 0x00 (the Read Faults button) twice. Reading the faults once clears the faults, and the second read is to ensure that all the faults have been cleared.

### 1.5 Basic Graphical User Interface Controls

The default state for the device is mute. To unmute, click the Play All button at the top left of the window. To mute, click the Mute All button. The main EVM window is shown in Figure 4.

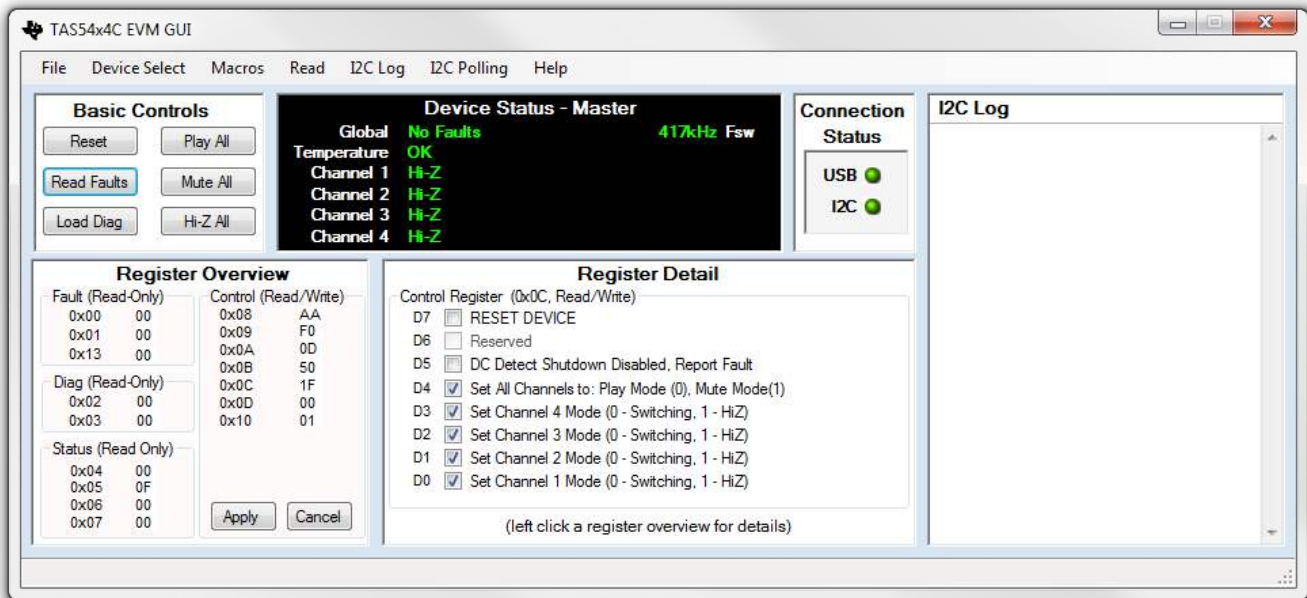


Figure 4. Main Window

## 2 EVM Description

### 2.1 Description of Inputs

#### 2.1.1 Analog Inputs

The TAS5424C EVM provides balanced input and the TAS5414C EVM provides unbalanced (single-ended) inputs. The four RCA jacks on either EVM are provided for the audio input. The unbalanced inputs have the shield of the RCA connected to ground. The balanced inputs have the plus (+) input on the center pin of the RCA and the minus (-) input on the shield. The balanced ground can be connected to the chassis or Power- (GND).

#### 2.1.2 Power

The EVM requires one dc power connection. The connection is made through a 10-pin supplied connector. The black wire is ground and the red wire is connected to PVDD, which can range from 6 to 24 Vdc.

## 2.2 Description of Outputs

### 2.2.1 Speaker and Power Connections

The 10-pin connector on the EVM and the wiring harness provide the power connections and the speaker connections. The power connection consists of a pair of red and black twisted wires, which correspond to the plus (+) output and minus (-) output, respectively. This pair of wires must be attached to a power supply.

The speaker connections consist of the remaining four pairs of red and white twisted wire. Each pair of red and white wires corresponds with a channel. The red wire corresponds to the plus (+) output, and the white wire corresponds to the minus (-) output. These wires must be terminated to a speaker load or resistive load.

See [Figure 2](#) for more details on the 10-pin connector on the EVM, [Figure 5](#) for more details about the speaker cables, and [Figure 6](#) for the speaker cables connection to the EVM.

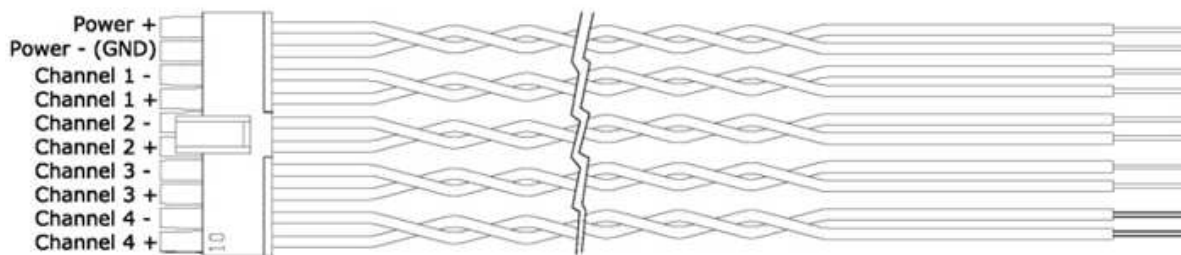


Figure 5. Wiring Harness for Power and Speaker Connections

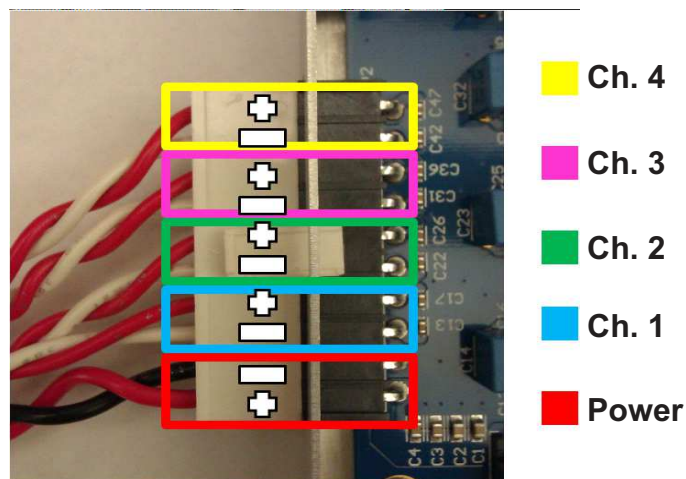


Figure 6. Power and Speaker Connections to the EVM

**NOTE:** Do not connect any of the speaker outputs to ground. The TAS5414C and TAS5424C have full bridged outputs; connecting to ground triggers a fault.

The outputs can be paralleled by connecting the plus (+) of one channel to the plus (+) of the other channel. The minus (-) connection of one channel and the minus (-) connection of the other channel must be connected also. See the data sheet for more details on parallel outputs (PBTl).



## 2.3 Controls

### 2.3.1 Standby

The standby switch is located next to the 6-pin DIN I<sup>2</sup>C input connector. Having the toggle in the Standby ON position forces the TAS5414C or TAS5424C into the standby mode. This is the same as a power-on reset (POR). POR shuts down the device, and I<sup>2</sup>C is not functional.

Setting the switch to the Standby OFF position puts the device in the EVM into its default power up mode. The I<sup>2</sup>C registers are set to their defaults. The amplifier output is in Hi-Z mode.

## 2.4 Indicator Description

There are five LED indicators on the chassis next to the standby switch. The LED farthest away from the standby switch is for the 3.3 Vdc supply. The 3.3 V supply is needed for the LEDs and the standby circuit. The other four LEDs indicate the four non-I<sup>2</sup>C output pins: FAULT, CLIP\_OTW, STANDBY, and MUTE. The FAULT and CLIP\_OTW signals are also routed to the 6-pin DIN for the GUI. In normal play mode, these four LEDs should not light.

## 3 Graphical User Interface

### 3.1 Introduction

The TAS5414C/TAS5424C GUI software is designed to demonstrate the features of the TAS5414C and TAS5424C. It is also able to assist the applications programmer in generating and saving the desired operating characteristics.

The TAS5414C/TAS5424C GUI has a feature by which it can log the I<sup>2</sup>C data being sent to the device. This can be helpful to the programmer in understanding the I<sup>2</sup>C commands needed for proper function.

### 3.2 Software Installation

The GUI software is available on the CDrom provided with the EVM. Run the setup.exe program on a personal computer (PC) with the Windows OS to install the GUI.

The software is currently supported up to Windows XP and is not supported by Windows 7.

The PC may need to connect to the internet to download the Microsoft .Net 2.0 environment, if it is not already on the PC.

### 3.3 Hardware Installation

In the EVM package is a small PCB labeled USB2IIC2 on the PCB. This is the USB-to-I<sup>2</sup>C converter to communicate from the PC to the EVM. Connect the USB cable to the PC and the PCB. Connect the 6-pin cable to the connector labeled I<sup>2</sup>C on the converter PCB to the 6-pin connector on the EVM. The USB connection provides power for this card. The PC should automatically connect to the USB-connected PCB. See [Figure 1, EVM to I<sup>2</sup>C Device Connections](#), for more details.

## 3.4 Using the GUI

### 3.4.1 The Main Window

#### 3.4.1.1 TAS5414C Control Panel

The control panel consists of six buttons that perform basic functions on all four channels.

**Reset:** This button sends a software reset to the device via I<sup>2</sup>C. It is equivalent to sending 0x9F to register 0x0C. All the I<sup>2</sup>C defaults are restored.

**Read Faults:** This button reads the two fault registers 0x00 and 0x01 and reports the data to the Device Status Panel.

**Load Diag:** This button runs a script to perform the built-in load diagnostics and reports any faults to the Device Status Panel. The details are displayed for each channel.

**Play All:** This button uses I<sup>2</sup>C to write 0x00 to register 0x0C which places all four channels into play mode.

**Mute All:** This button uses I<sup>2</sup>C to set all channels to mute mode by writing 0x10 to register 0x0C. All channels switch at 50% duty cycle, and no signal will pass from the input to the output.

**Hi-Z All:** This button places all four channel outputs into a high-impedance state by writing 0x1F to register 0x0C. The device is first placed in mute. The Low-Low state is then invoked. Lastly, the outputs are placed in Hi-Z.

### 3.4.2 Device Status Panel

**Device Panel Title:** The title at the top of the Device Status Panel shows which device the GUI is set to communicate. The four options are: Master, Slave1, Slave 2, and Slave 3. This is changed in the menu item Device Select.

**Global:** This provides fault feedback from the device. If a fault occurs a red Fault is indicated. Read the fault detail in the register 0x00 and 0x01.

**Temperature:** This shows the temperature of the device. When the device is below 125°C, the color is green. At Level 1 OTW, the color is yellow. At Level 2 OTW, the color is orange. At Level 3 OTW, the color is red.

**Channel 1-4:** These four items provide individual channel output states: Hi-Z, Mute, Low-Low, and Play. The gain setting will be displayed with the play indication.

**Fsw:** This item provides the switching frequency of the outputs.

### 3.4.3 Connection Status Panel

There are two LED indicators to provide connection status.

**USB:** This indicator is gray when there is no USB connection to the USB2II2C PCB. The I<sup>2</sup>C LED is off. The indicator is green when a connection is good.

**I<sup>2</sup>C:** This indicator is red when there is a USB connection, but no I<sup>2</sup>C connection. A green indicator shows that I<sup>2</sup>C communication is functioning properly. If the LED is off, then there is no USB connection.

### 3.4.4 I<sup>2</sup>C Log Panel

All the I<sup>2</sup>C commands that are sent or received by the TAS5414C and TAS5424C are shown in this panel except for I<sup>2</sup>C polling information. The displayed data can be copied to the clipboard for a programming aid.

This type of information can be controlled by the I<sup>2</sup>C Log menu item. An R indicates a value read from the device and a W indicates a value sent to the device. Valuable comments are also provided. Polling I<sup>2</sup>C reads are not shown to prevent over-running the panel with background reads. See [Section 3.4.7](#) for further details on each tab.

### 3.4.5 Register Overview Panel

This panel provides the hexadecimal (hex) data for each I<sup>2</sup>C register. The hex data in the control registers can be directly changed here and sent to the device with the Apply button. Any changes made to the data are cleared by clicking the Cancel button. The Register Detail panel is changed either by changing the hex value of the register directly or by clicking on the register and changing the specific bit in the Register Detail panel. (See [Section 3.4.6](#))

### 3.4.6 Register Detail Panel

This panel provides a detailed view of each register. By clicking on a register in the Register Overview panel, the details of that register are shown. Each bit has its description and its value shown by the checkbox. A checkbox with a check mark indicates a logical 1 and an unchecked checkbox indicates a logical 0. Changes to each bit can be made by clicking on the checkbox. The changes are sent to the device by clicking on the Apply button in the Register Overview panel.

### 3.4.7 Menu

**File:** In this menu, the Exit function can be found at the bottom of the drop-down menu.

**Device Select:** The I<sup>2</sup>C device select value can be changed in the Menu. For the EVM, use the default value, which is Master.

**Macros:** In this menu, macros can be used. Macros are currently not being implemented at this time.

**Custom Macros:** This allows the users to create then save their own macros for later use.

**Preloaded Macros:** This menu item provides a list of built-in macros to perform typical I<sup>2</sup>C routines.

**Read:** The Read panel controls are located in this menu:

**Fault Registers:** When selected, the values of the fault registers are displayed in the I<sup>2</sup>C log. Note that reading fault registers is different from reading faults. The data in a fault register is cleared on read. The actual value displayed may show the fault, but the value in the device register will be cleared. A second read of the fault registers will show a cleared fault register.

**Load Diagnostic Registers:** When selected, the values of the load diagnostic registers are read.

**Status Registers:** When selected, the values of the status registers are read.

**Control Registers:** When selected, the values of the control registers are read.

**All Registers:** When selected, the values of all the registers are read.

**Options:** The Options panel controls are located in this menu:

**Crosstalk Compensation Enabled:** When selected, Crosstalk is optimized. When this option is disabled, the standard operation optimizes PSRR.

**180 Phase Difference:** When selected, the channels switch at 180° phase difference

**Switching Frequency:** When selected, the switching-frequency setting for AM avoidance can be changed to 357 kHz or 500 kHz.

**All Channels Gain:** When selected, the gain on all the channels can be changed to 12 dB, 20 dB, or 32 dB.

**I<sup>2</sup>C Log:** The I<sup>2</sup>C Log panel controls are located in this menu:

**Enabled:** When selected, this menu option shows the I<sup>2</sup>C Log panel. When disabled, the I<sup>2</sup>C Log panel is hidden.

**Show I<sup>2</sup>C Reads:** When selected, this menu option shows the values read from the device. These are indicated with an R.

**Show I<sup>2</sup>C Writes:** When selected, this menu option shows the values that are sent to the device. These are indicated with a W.

**Show Comments:** When selected, this menu option shows the comments. The comments are not shown when this item is not selected.

**Clear:** This menu item clears the log data. The data is lost.

**I<sup>2</sup>C Polling:** The I<sup>2</sup>C Polling panel controls are located in this menu:

**Enabled:** When selected, the I<sup>2</sup>C actively samples the status registers specifically. When I<sup>2</sup>C Polling is disabled, there is no guarantee that the register readings are valid.

**Rate:** When selected, the poll rate can be changed (in ms). The default setting is 250 ms.

**Help:** This menu item provides four items:

**About:** This provides the revision level of the software.

**User Guide:** This opens the User Guide in the Adobe<sup>TM</sup> Acrobat<sup>TM</sup> Reader<sup>TM</sup>. Acrobat Reader needs to be available on the PC.

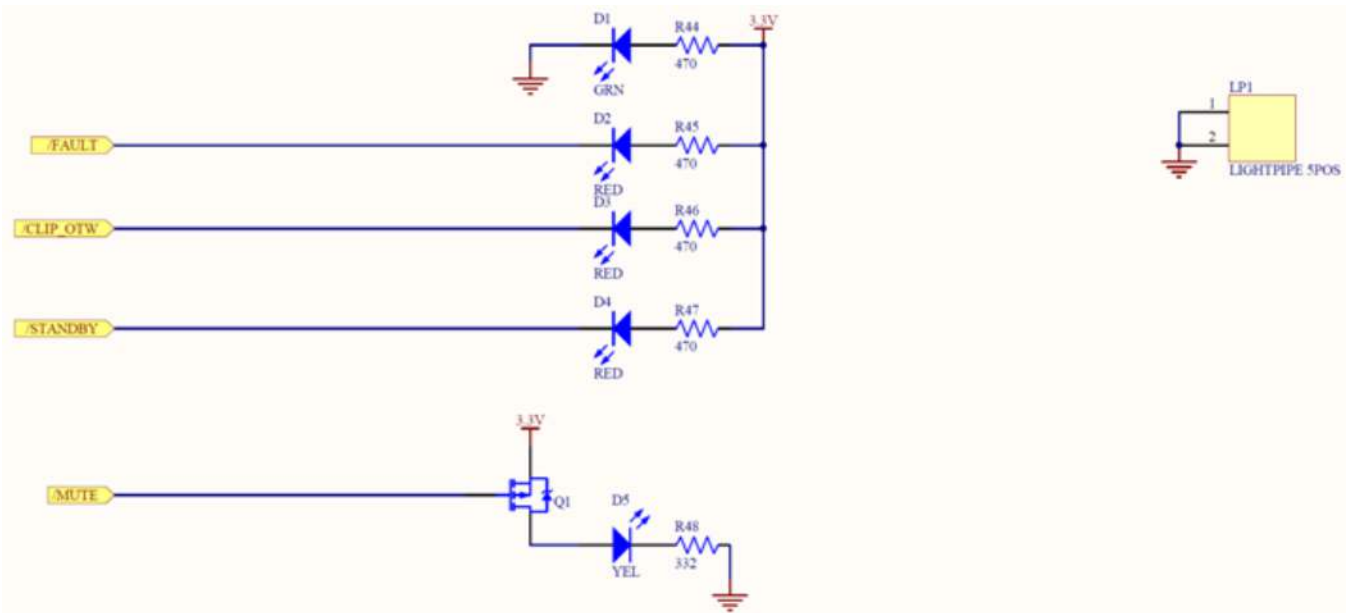
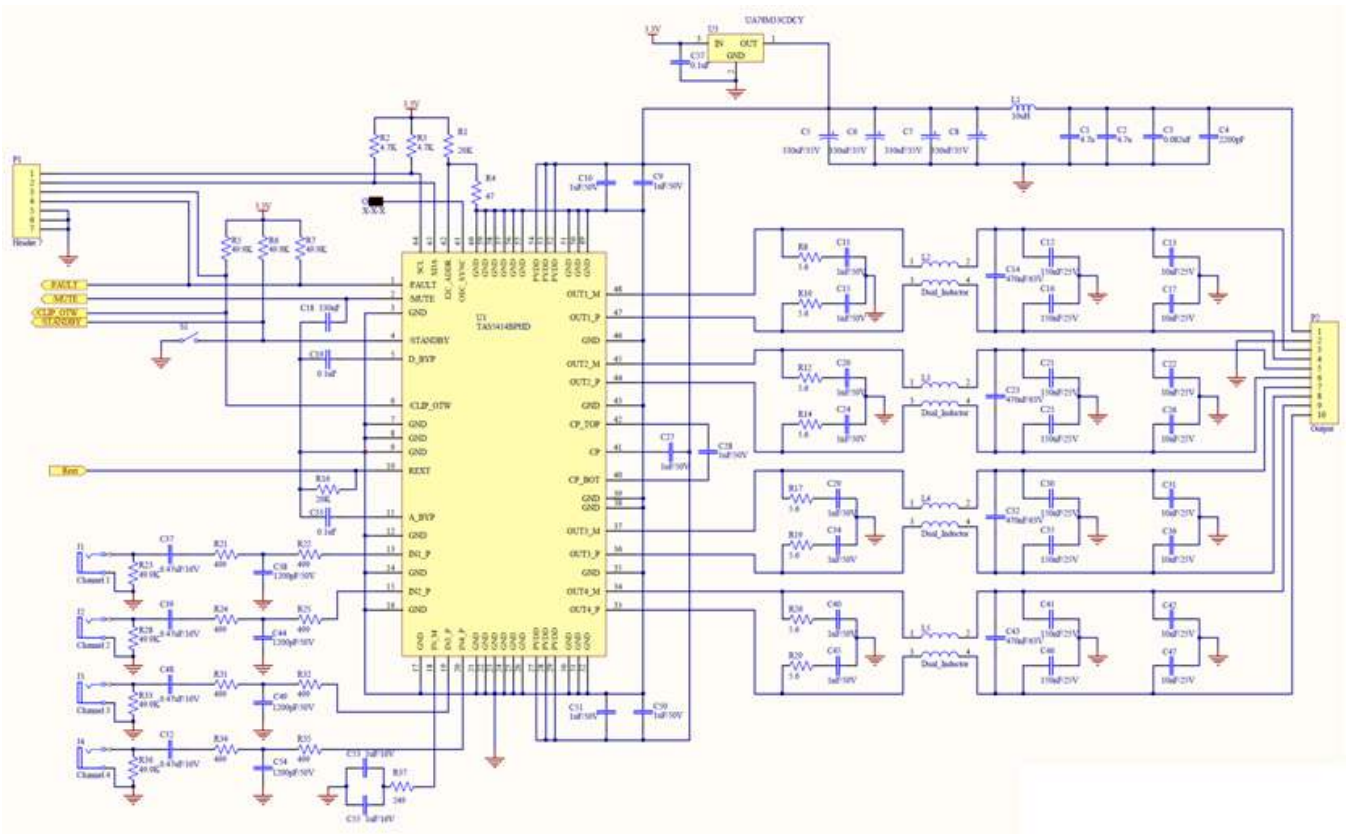
**Device Webpage:** This opens the TAS5414C/TAS5424C web page at the Texas Instruments Web site in the default browser. The most-current data sheets, application reports, and GUI software is available for downloading.

**Check for EVM Updates:** This checks to see if any new updates of the GUI are available.

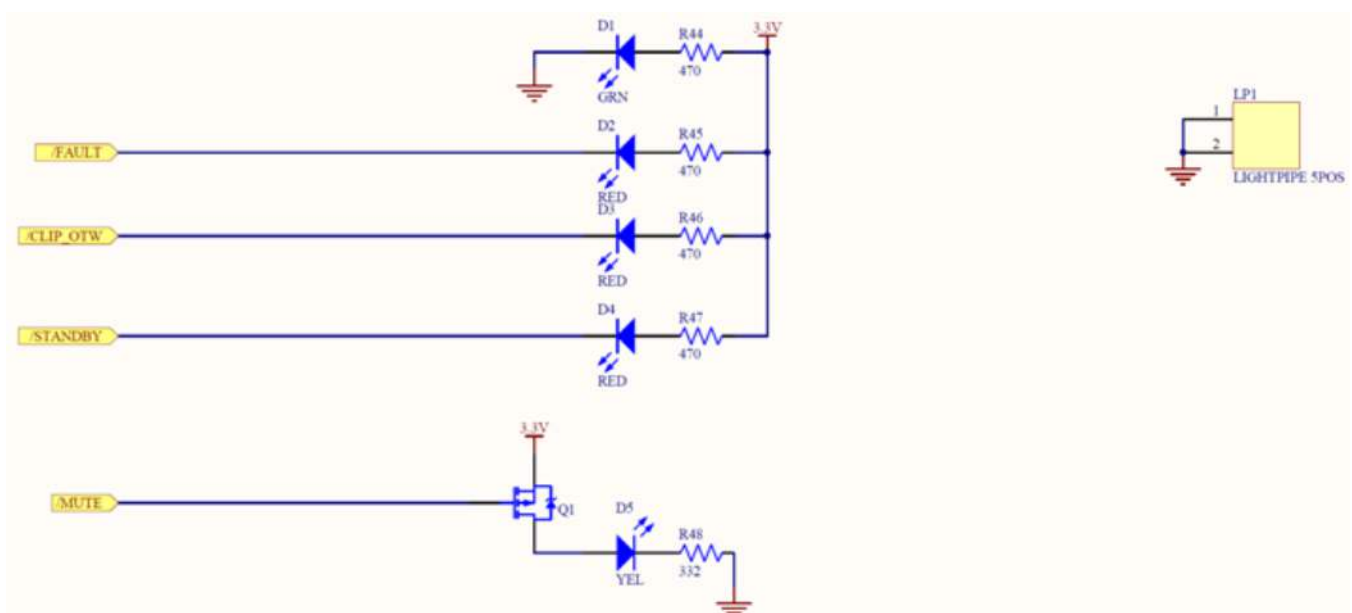
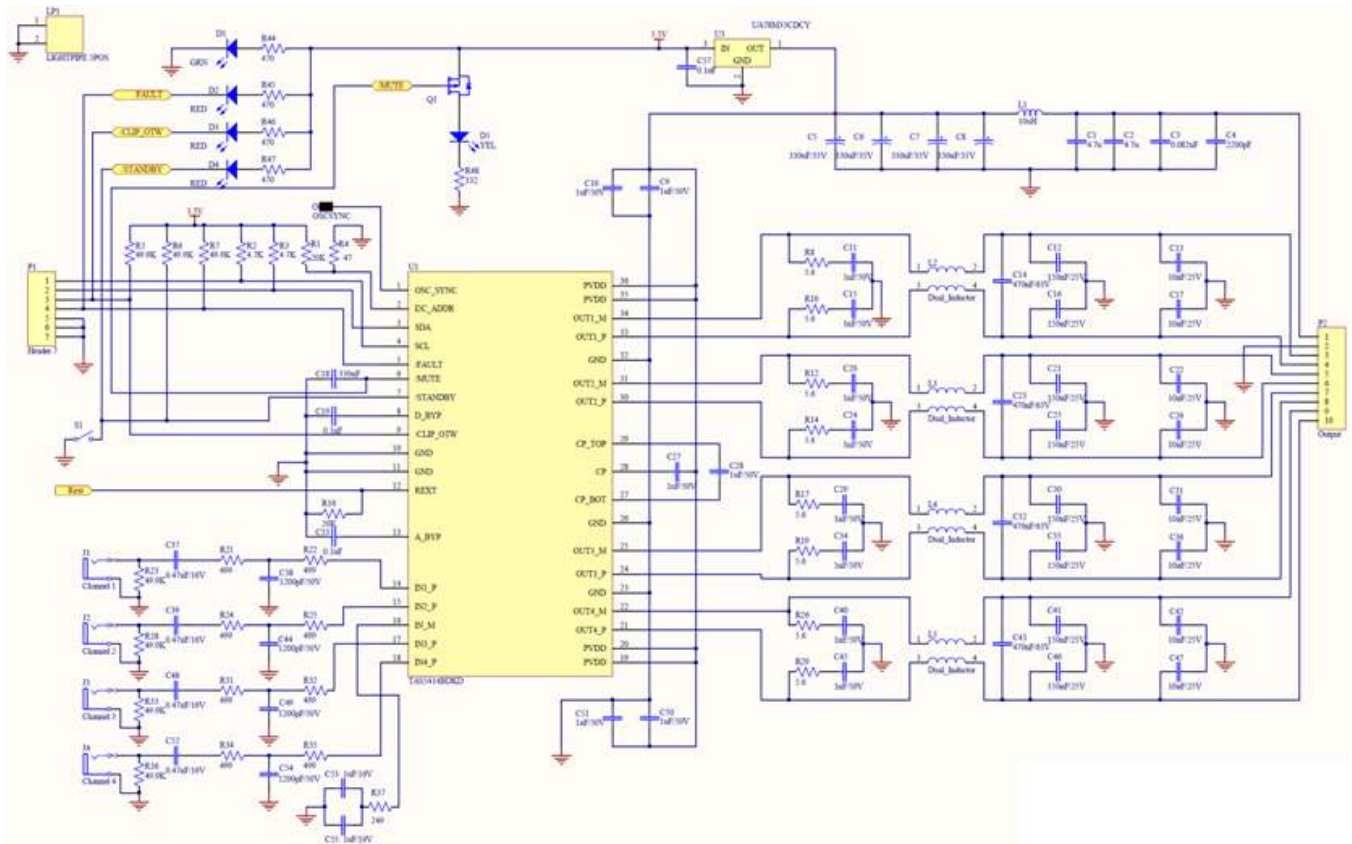
#### 4 TAS5414/TAS5424C EVM Schematics

The schematics for the TAS5414CPHD, TAS5414CDKD, and TAS5424CDKD are shown on the following pages.

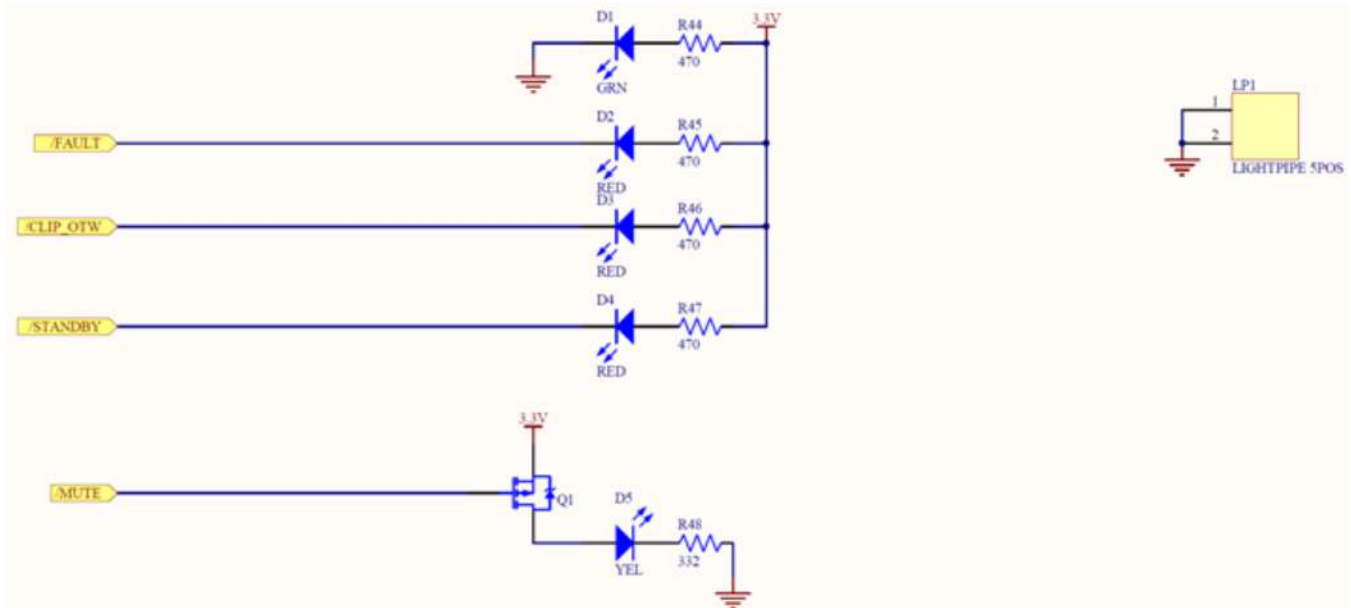
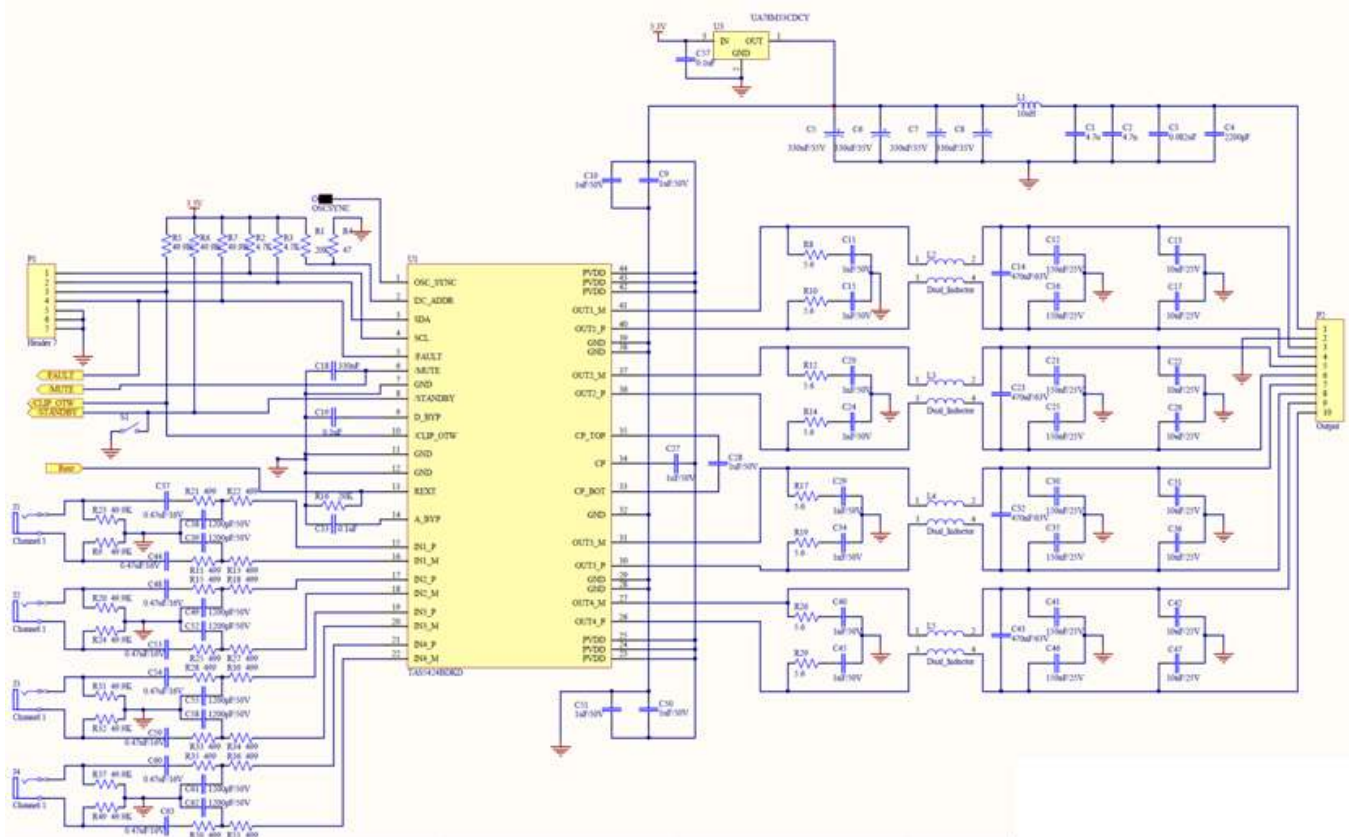
TAS5414CPHD EVM Schematics



TAS5414CDKD EVM Schematics



**TAS5424CDKD EVM Schematics**



## 5 Board Layouts

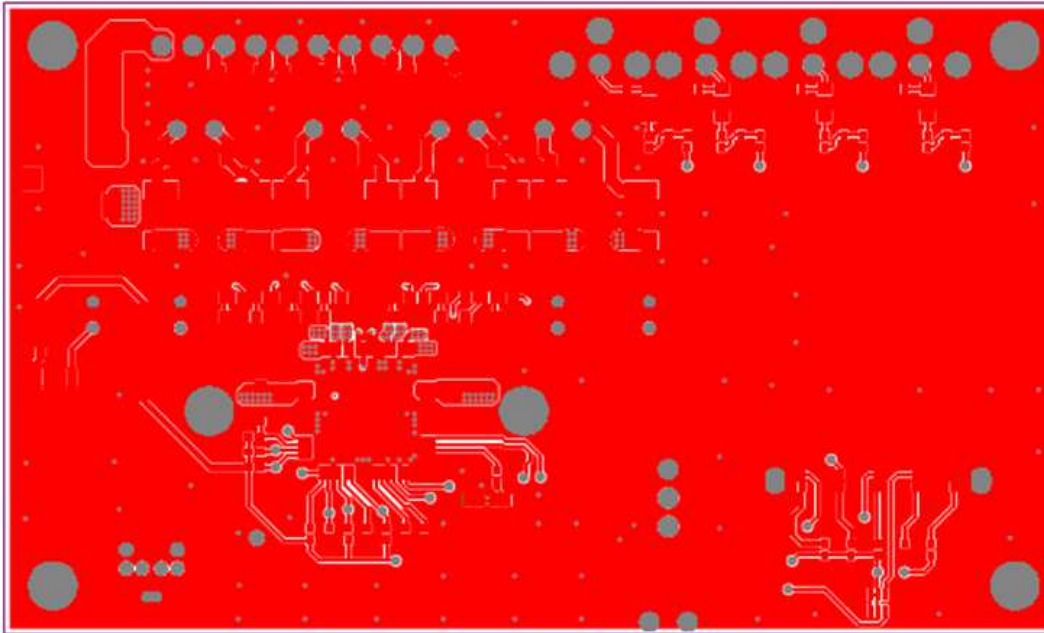


Figure 7. TAS5414CPHD Top Layer

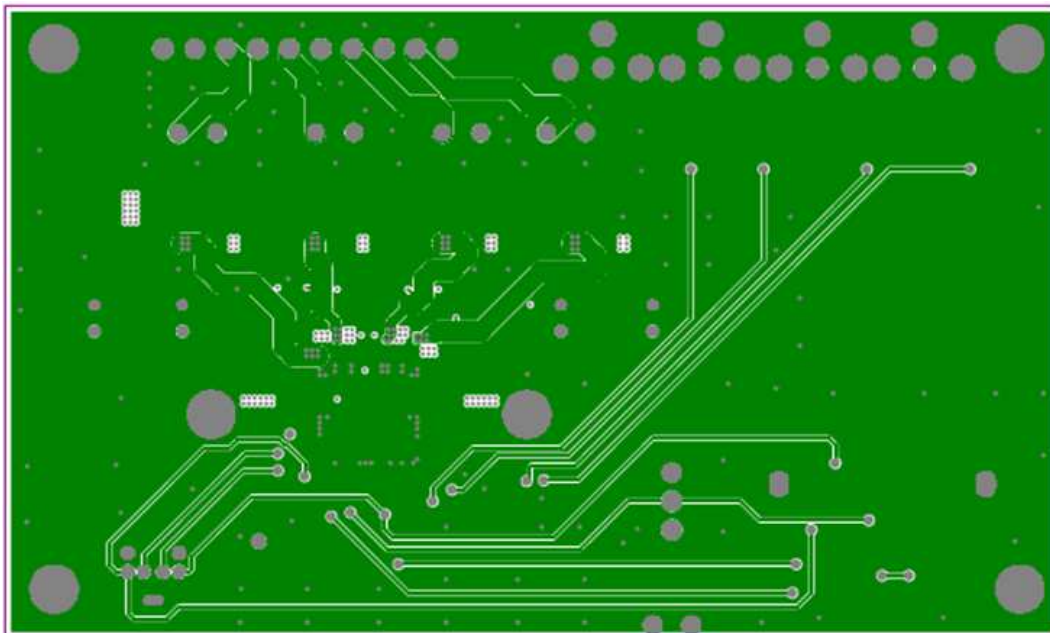


Figure 8. TAS5414CPHD Mid Layer Level 1



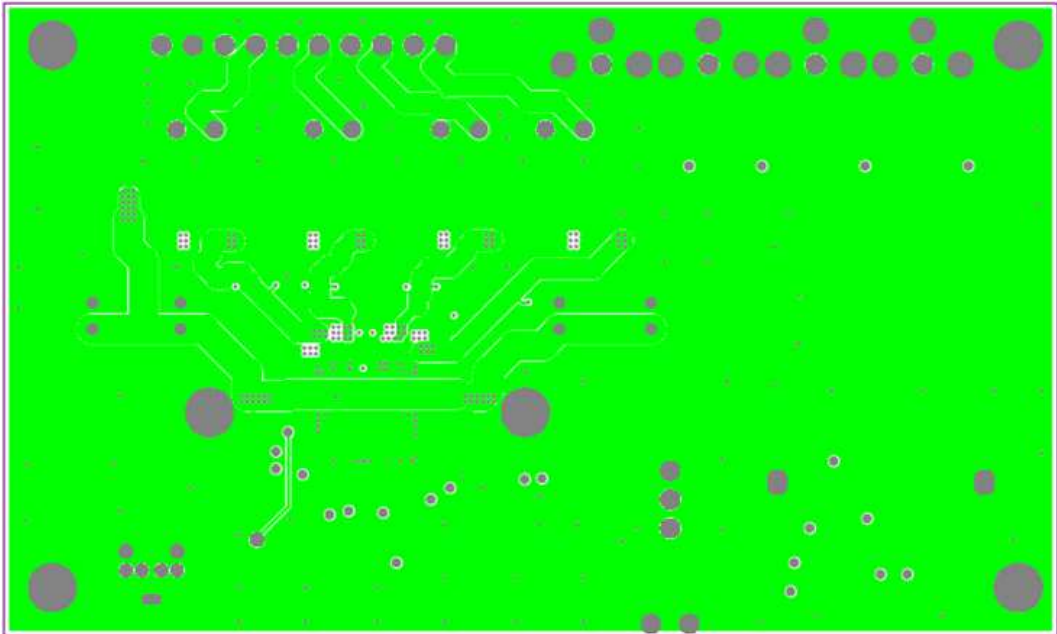


Figure 9. TAS5414CPHD Mid Layer Level 2

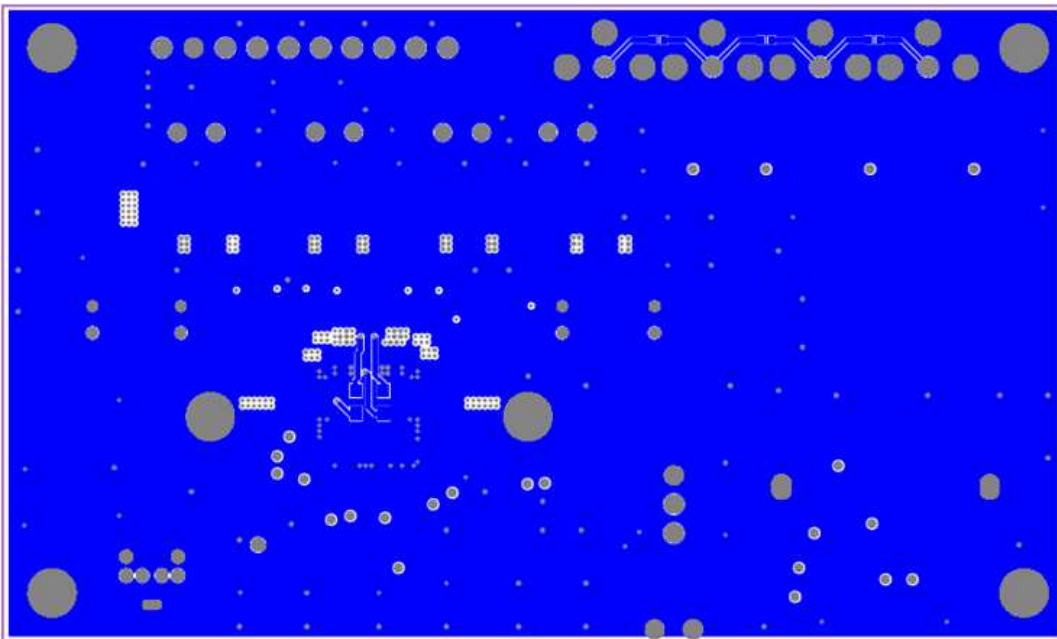


Figure 10. TAS5414CPHD Bottom Layer

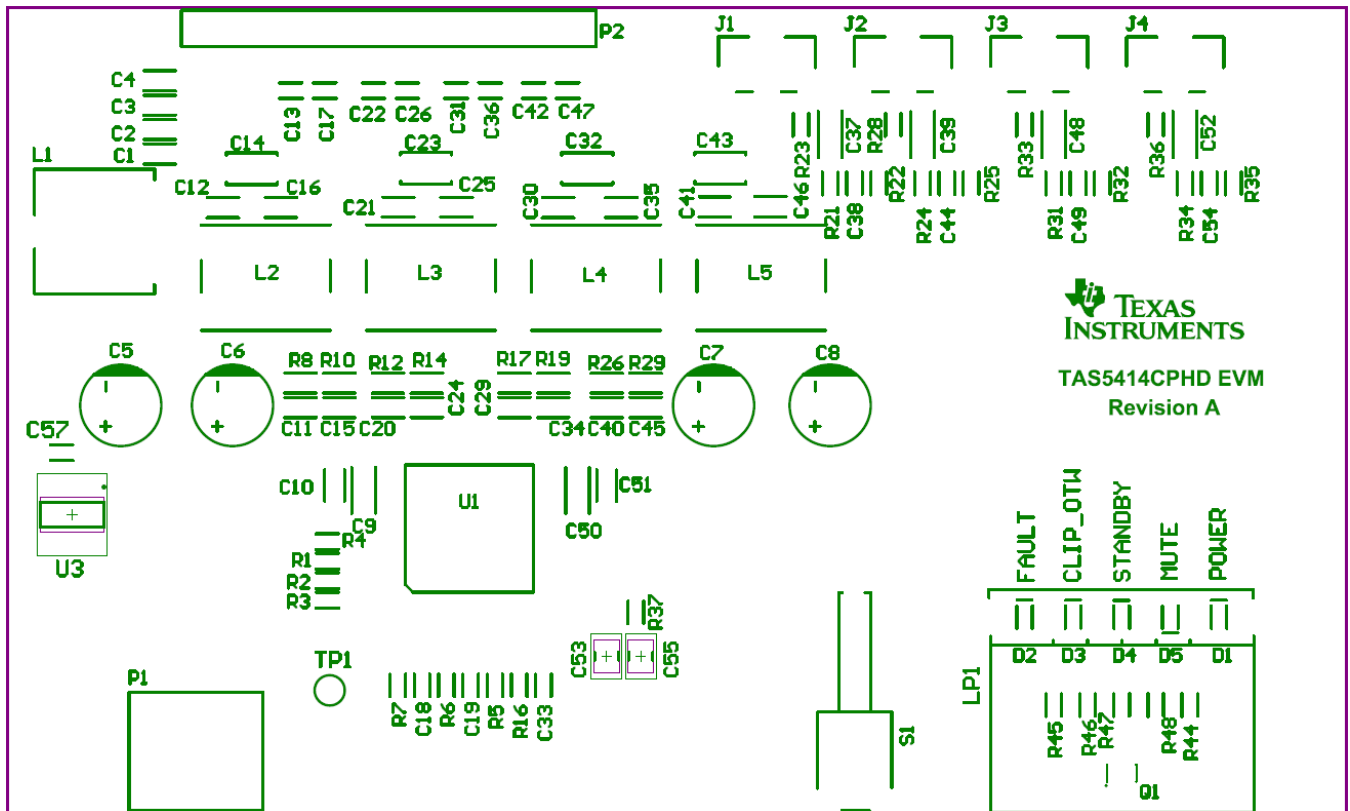


Figure 11. TAS5414CPHD Top Silkscreen Overlay

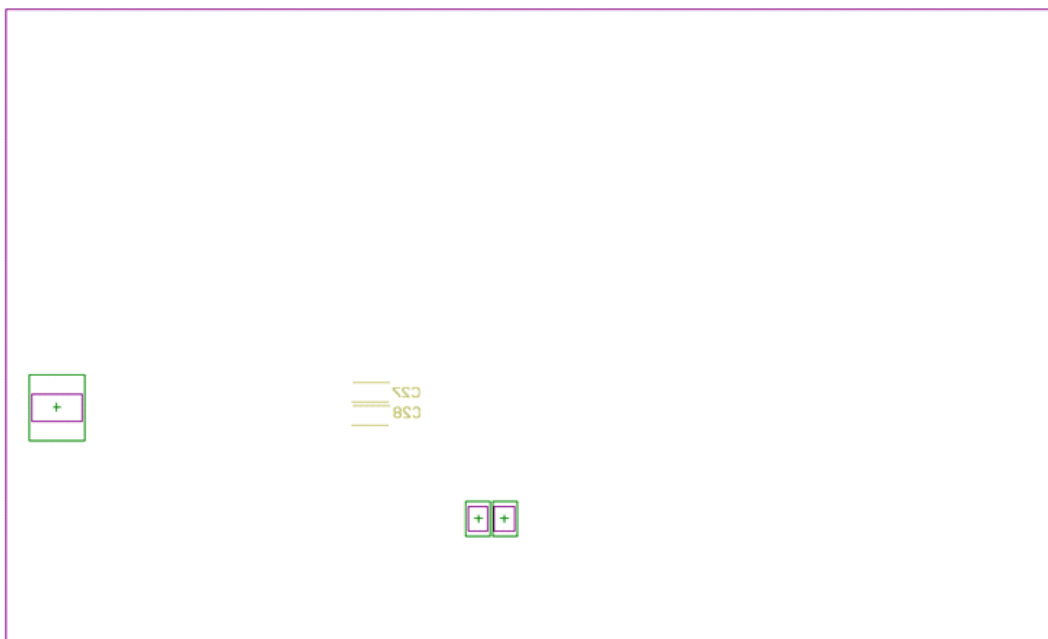


Figure 12. TAS5414CPHD Bottom Silkscreen Overlay

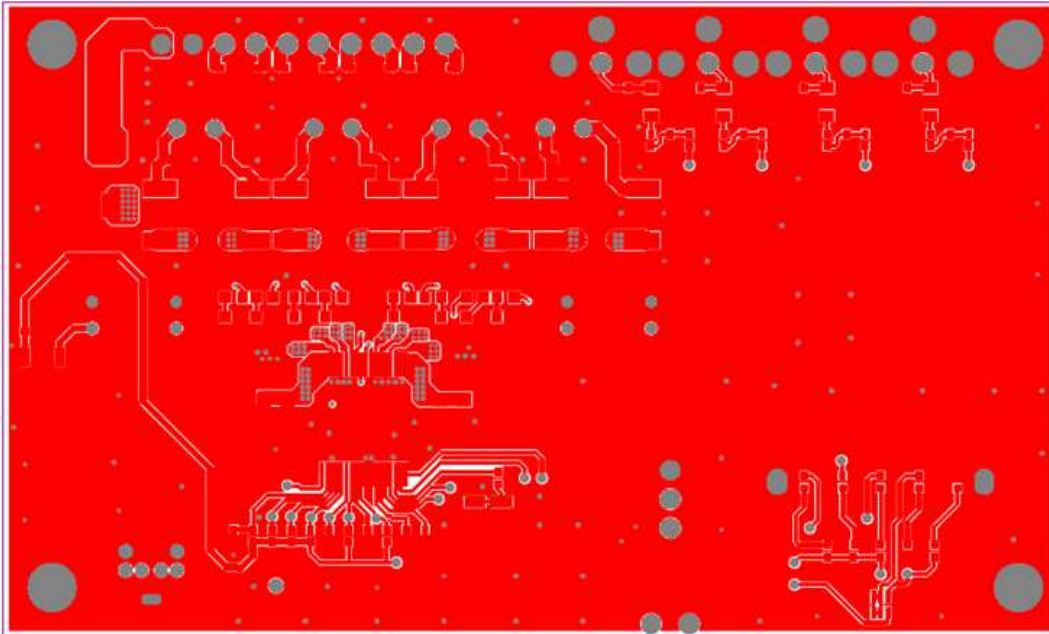


Figure 13. TAS5414CDKD Top Layer

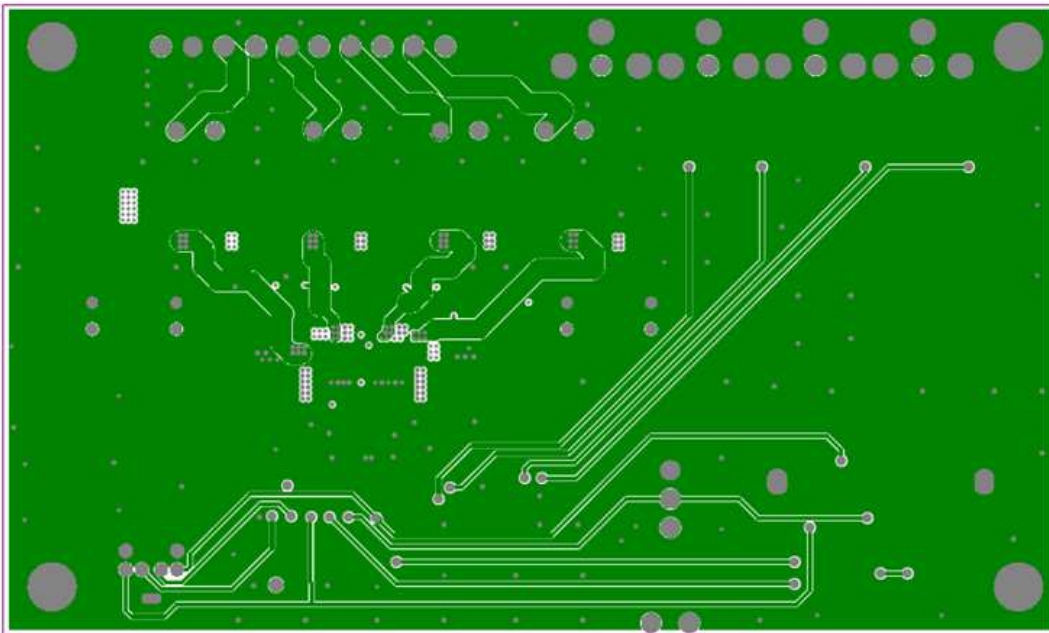


Figure 14. TAS5414CDKD Mid Layer Level 1

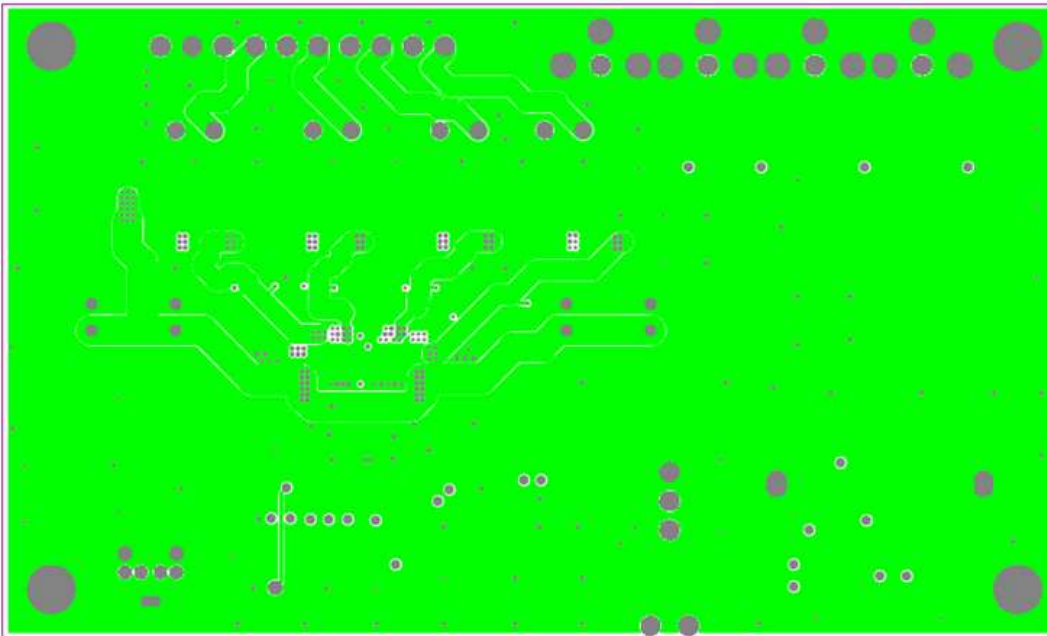


Figure 15. TAS5414CDKD Mid Layer Level 2

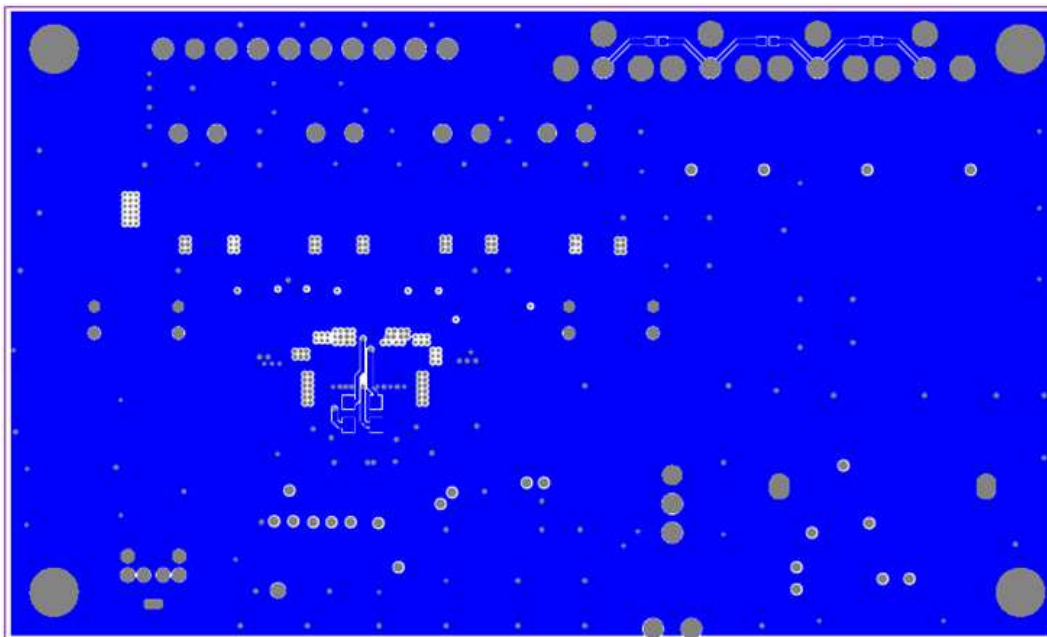


Figure 16. TAS5414CDKD Bottom Layer

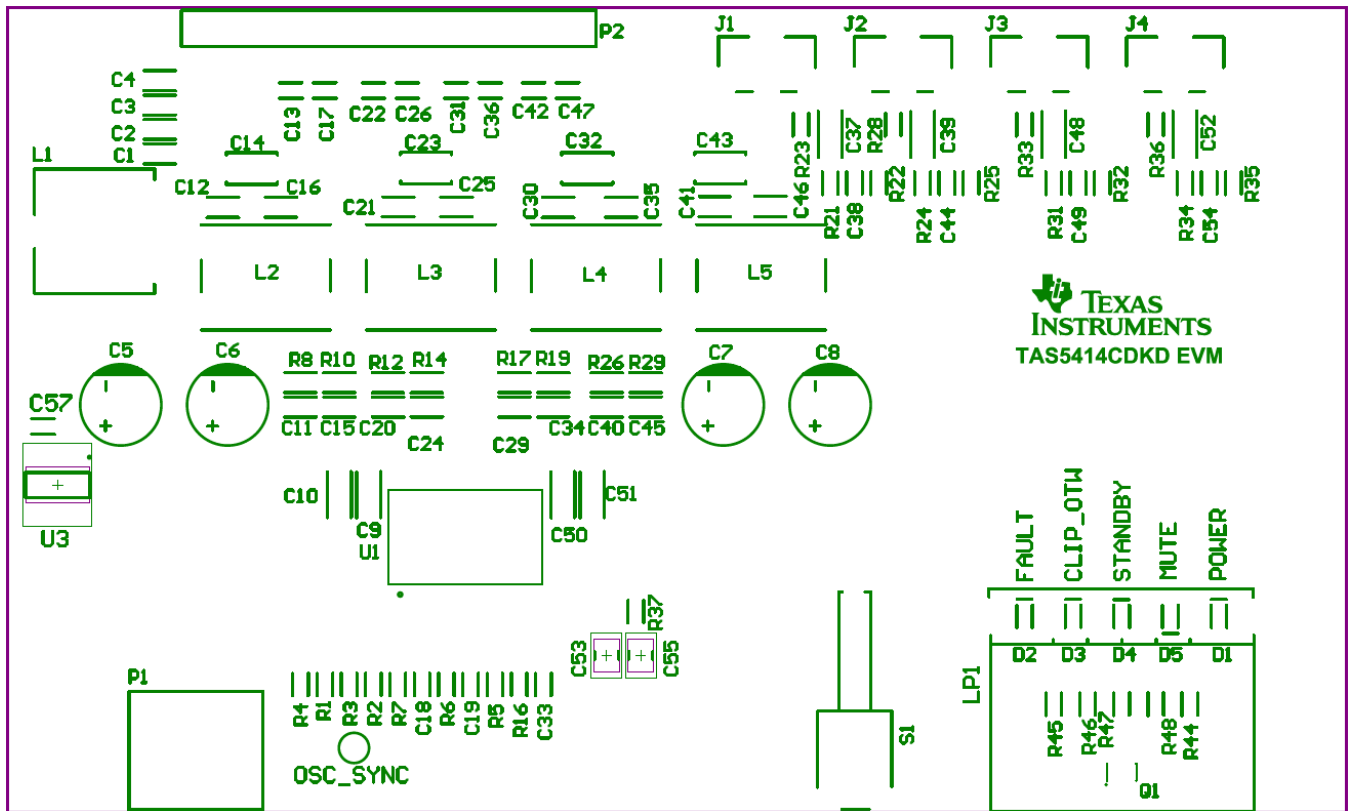


Figure 17. TAS5414CDKD Top Silkscreen Overlay

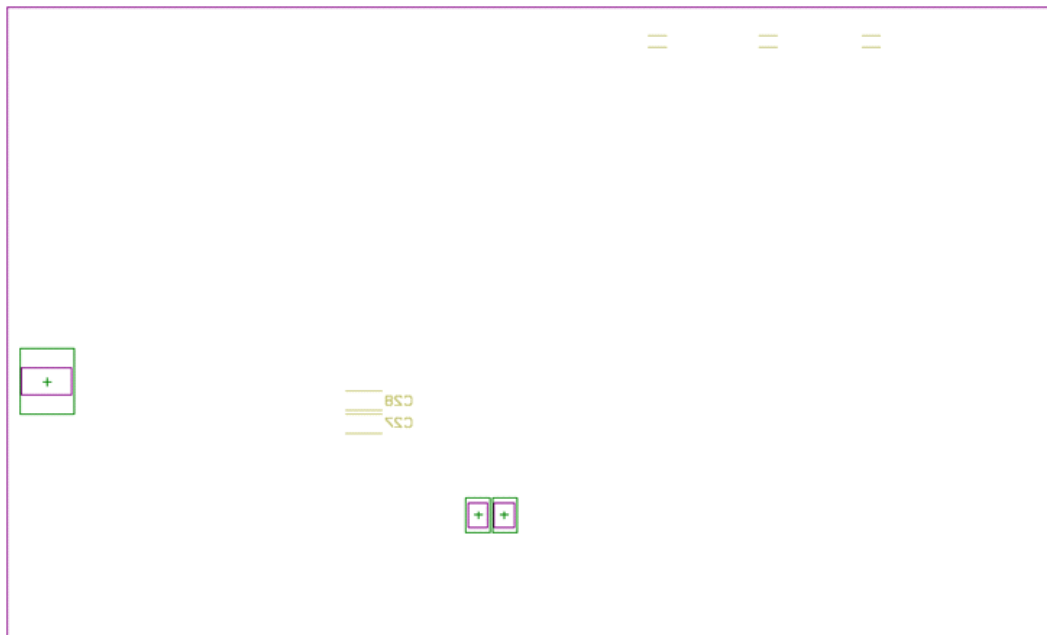


Figure 18. TAS5414CDKD Bottom Silkscreen Overlay

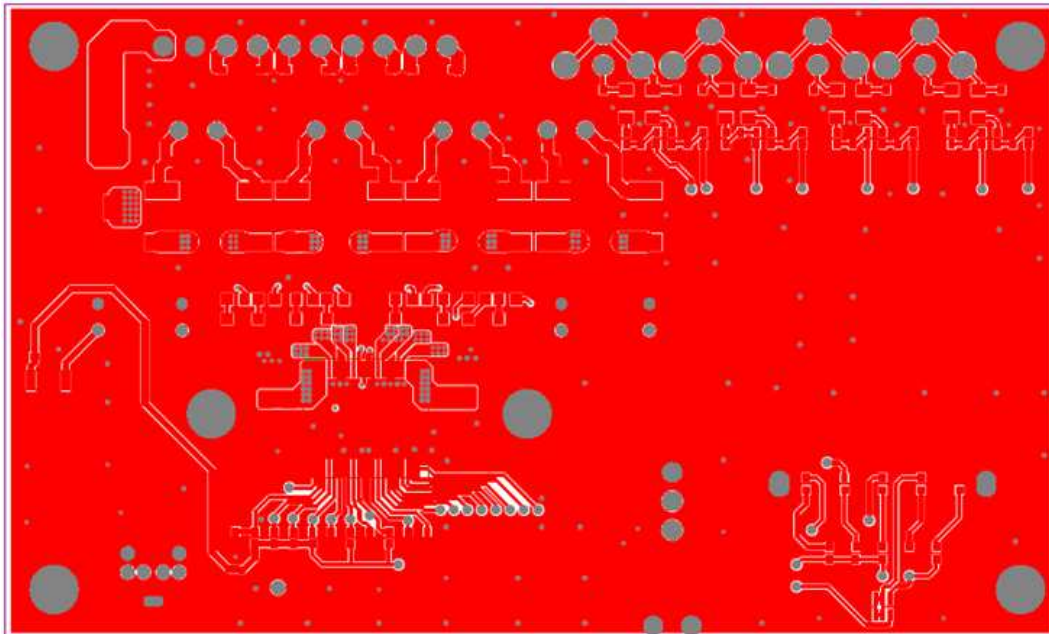


Figure 19. TAS5424CDKD Top Layer

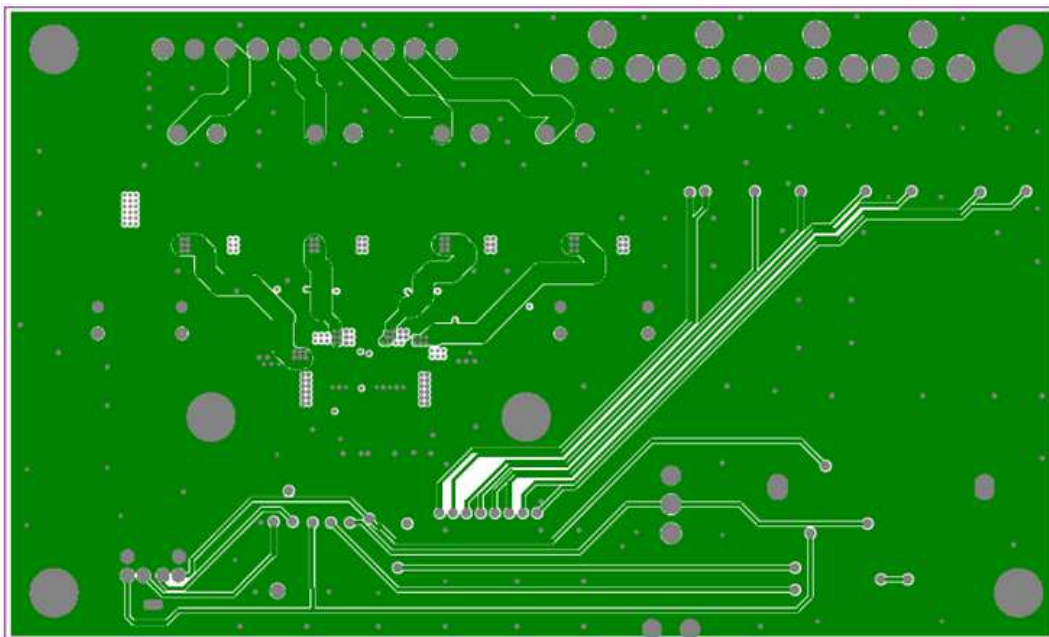


Figure 20. TAS5424CDKD Mid Layer Level 1

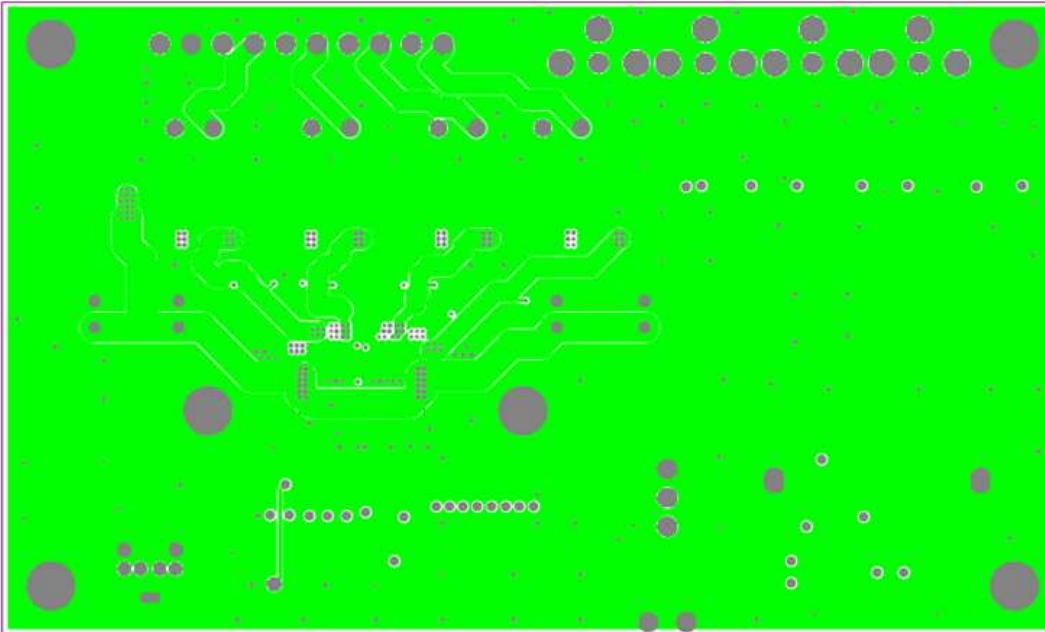


Figure 21. TAS5424CDKD Mid Layer Level 2

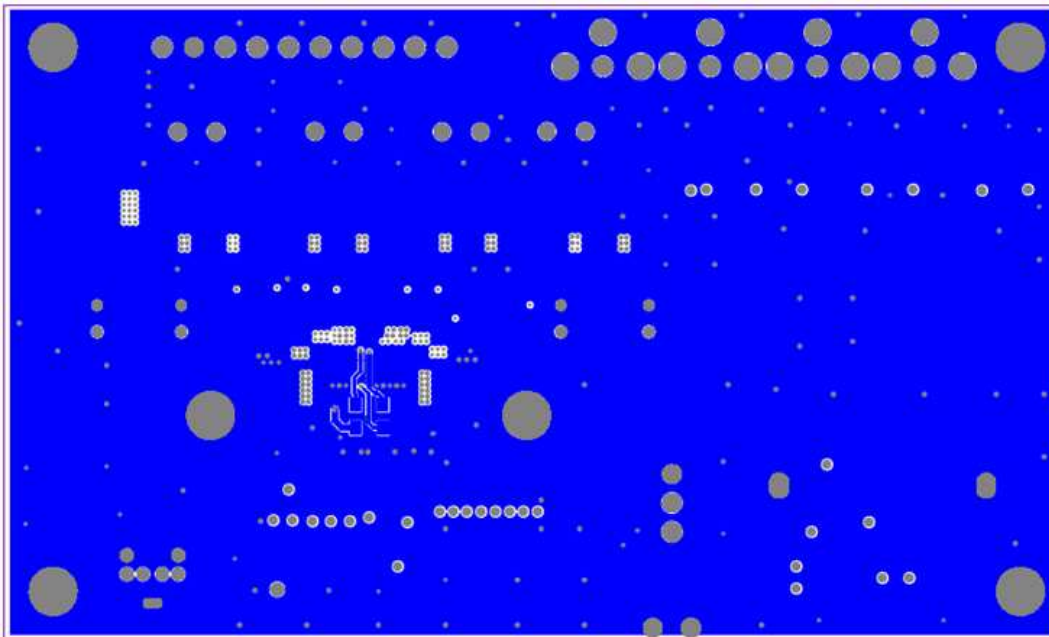


Figure 22. TAS5424CDKD Bottom Layer

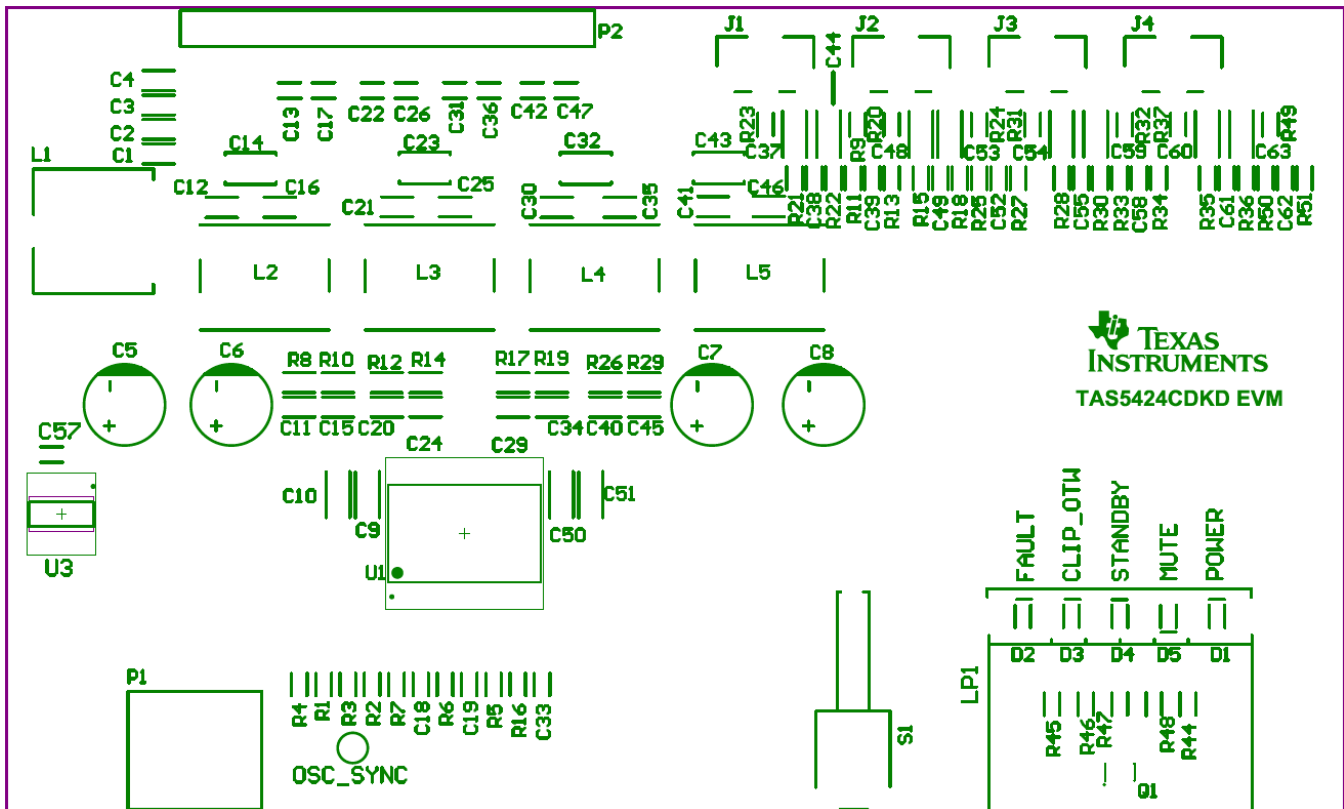


Figure 23. TAS5424CDKD Top Silkscreen Overlay

## 6 Bill of Materials

Table 1, Table 2, and Table 3 present the bill of materials for TAS5414CPHD, TAS5414CDKD, and TAS5424CDKD respectively.

**Table 1. Bill of Materials for TAS5414CPHD**

VALUE	DESCRIPTION	DESIGNATOR	P/N	P/N (DIGIKEY)	QUANTITY
4.7 $\mu$ F	Capacitor, ceramic	C1, C2	C2012X5R1E475K	445-4116-1-ND	2
0.082 $\mu$ F	Capacitor, ceramic	C3	ECJ-2YB1H823K	PCC1839CT	1
2200 pF	Capacitor, ceramic	C4	ECJ-2VB1H222K	PCC222BNCT-ND	1
330 $\mu$ F/35 V	Capacitor, electrolytic	C5, C6, C7, C8	UVR1V331MPD	493-1083-ND	4
1 $\mu$ F/50 V	Capacitor, ceramic	C9, C10, C27, C28, C50, C51	C3216X7R1H105K	445-1423-1-ND	6
1 nF/50 V	Capacitor, ceramic	C11, C15, C20, C24, C29, C34, C40, C45	ECJ-2VB1H102K	PCC102BNCT-ND	8
150 nF/25 V	Capacitor, ceramic	C12, C16, C21, C25, C30, C35, C41, C46	C2012X7R1E474K	445-1353-1-ND	8
10 nF/25 V	Capacitor, ceramic	C13, C17, C22, C26, C31, C36, C42, C47	ECJ-1VB1E103K	PCC1763CT-ND	8
470 nF/63 V	Capacitor, ceramic	C14, C23, C32, C43	B32529C474J	495-1110-ND	4
220 nF	Capacitor, ceramic	C18	C0603C334K4RACTU	399-4916-1-ND	1
0.1 $\mu$ F	Capacitor, ceramic	C19, C33, C57	ECJ-1VB1C104K	PCC1762CT-ND	3
0.47 $\mu$ F/16 V	Capacitor, film	C37, C39, C48, C52	ECP-U1C474MA5	PCF1130CT-ND	4
1200 pF/50 V	Capacitor, ceramic	C38, C44, C49, C54	ECJ-1VB1H122K	PCC1773CT-ND	4
1 $\mu$ F/16 V	Capacitor, film	C53, C55	ECP-U1C105MA5	PCF1132CT-ND	2
GRN	Typical GREEN GaAs LED	D1	SML-LX0603GW-TR	67-1549-1-ND	1
RED	Typical RED GaAs LED	D2, D3, D4	SML-LX0603SRW-TR	67-1551-1-ND	3
YEL	Typical YELLOW GaAs LED	D5	SML-LX0603YW-TR	67-1550-1-ND	1



**Table 1. Bill of Materials for TAS5414CPHD (continued)**

VALUE	DESCRIPTION	DESIGNATOR	P/N	P/N (DIGIKEY)	QUANTITY
Channel 1, 2, 3, 4 input	RCA phono jack, right angle, thru-hole, snap-in	J1	RCJ-011	CP-1400-ND	4
10 $\mu$ H	10- $\mu$ H inductor, SMT	L1	Coilcraft SER1360H-103L		1
Dual_inductor	Dual inductor	L2, L3, L4, L5	Toko HEAW		4
LIGHTPIPE 5POS		LP1	LPF-C051303S		1
Header 7	Header, 7-pin	P1	MD-60S	CP-2460	1
Output	Header, 10-pin, right	P2	Samtech IPBT-110-H1-T-S-RA		1
N MOS	FET - P W/DIODE	Q1	IRLMS5703TRPBF	IRLMS5703PBFCT-ND	1
20 k $\Omega$	Resistor, SMT	R1, R16	ERJ-3EKF2002V	P20.0KHCT-ND	2
4.7 k $\Omega$	Resistor, SMT	R2, R3	ERJ-3EKF4701V	P4.70KHCT-ND	2
47 $\Omega$	Resistor, SMT	R4	ERJ-3EKF47R0V	P47.0HCT-ND	1
49.9 k $\Omega$	Resistor, SMT	R5, R6, R7, R23,R28, R33, R36	ERJ-3EKF4992V	P49.9KHCT-ND	7
5.6 $\Omega$	Resistor, SMT	R8, R10, R12, R14,R17, R19, R26, R29	RL1220S-5R6-F	RL12S5.6FCT-ND	8
499 $\Omega$	Resistor, SMT	R21, R22, R24, R25,R31, R32, R34, R35	ERJ-3EKF4990V	P499HCT-ND	8
249 $\Omega$	Resistor, SMT	R37	ERJ-3EKF2490V	P249HCT-ND	1
470 $\Omega$	Resistor, SMT	R44, R45, R46, R47	ERJ-3GEYJ471V	P470GCT-ND	4
332 $\Omega$	Resistor, SMT	R48	ERJ-3EKF3320V	P332HCT-ND	1
S1	E-switch, SPDT, right-angle	S1	100SP1T2B4M7RE	EG2364-ND	1
TAS5414CPHD	4-channel class-D amplifier	U1	TAS5414CTPHDRQ1	TAS5414CTPHDRQ1-ND	1
UA78M33CDCY	Positive-voltage regulator	U3	UA78M33CDCYR	296-13424-1-ND	1

**Table 2. Bill of Materials for TAS5414CDKD**

VALUE	DESCRIPTION	DESIGNATOR	P/N	P/N (DIGIKEY)	QUANTITY
4.7 $\mu$ F	Capacitor, ceramic	C1, C2	C2012X5R1E475K	445-4116-1-ND	2
0.082 $\mu$ F	Capacitor, ceramic	C3	ECJ-2YB1H823K	PCC1839CT	1
2200 pF	Capacitor, ceramic	C4	ECJ-2VB1H222K	PCC222BNCT-ND	1
330 $\mu$ F/35 V	Capacitor, electrolytic	C5, C6, C7, C8	UVR1V331MPD	493-1083-ND	4
1 $\mu$ F/50 V	Capacitor, ceramic	C9, C10, C27, C28,C50, C51	C3216X7R1H105K	445-1423-1-ND	6
1 nF/50 V	Capacitor, ceramic	C11, C15, C20, C24, C29, C34, C40, C45	ECJ-2VB1H102K	PCC102BNCT-ND	8
150 nF/25 V	Capacitor, ceramic	C12, C16, C21, C25, C30, C35, C41, C46	C2012X7R1E474K	445-1353-1-ND	8
10 nF/25 V	Capacitor, ceramic	C13, C17, C22, C26,C31, C36, C42, C47	ECJ-1VB1E103K	PCC1763CT-ND	8
470 nF/63 V	Capacitor, ceramic	C14, C23, C32, C43	B32529C474J	495-1110-ND	4
220 nF	Capacitor, ceramic	C18	C0603C334K4RACTU	399-4916-1-ND	1
0.1 $\mu$ F	Capacitor, ceramic	C19, C33, C57	ECJ-1VB1C104K	PCC1762CT-ND	3
0.47 $\mu$ F/16 V	Capacitor, film	C37, C39, C48, C52	ECP-U1C474MA5	PCF1130CT-ND	4
1200 pF/50 V	Capacitor, ceramic	C38, C44, C49, C54	ECJ-1VB1H122K	PCC1773CT-ND	4
1 $\mu$ F/16 V	Capacitor, film	C53, C55	ECP-U1C105MA5	PCF1132CT-ND	2
GRN	Typical GREEN GaAs LED	D1	SML-LX0603GW-TR	67-1549-1-ND	1
RED	Typical RED GaAs LED	D2, D3, D4	SML-LX0603SRW-TR	67-1551-1-ND	3
YEL	Typical YELLOW GaAs LED	D5	SML-LX0603YW-TR	67-1550-1-ND	1
Channel 1, 2, 3, 4 input	RCA phono jack, right angle, thru-hole, snap-in	J1	RCJ-011	CP-1400-ND	4
10 $\mu$ H	10- $\mu$ H Inductor, SMT	L1	Coilcraft SER1360H-103L		1
Dual_inductor	Dual inductor	L2, L3, L4, L5	Toko HEAW		4
LIGHTPIPE 5POS		LP1	LPF-C051303S		1
Header 7	Header, 7-pin	P1	MD-60S	CP-2460	1
Output	Header, 10-pin, right	P2	Samtech IPBT-110-H1-T-S-RA		1
N MOS	FET - P W/DIODE	Q1	IRLMS5703TRPBF	IRLMS5703PBFCT-ND	1
20 k $\Omega$	Resistor, SMT	R1, R16	ERJ-3EKF2002V	P20.0KHCT-ND	2
4.7 k $\Omega$	Resistor, SMT	R2, R3	ERJ-3EKF4701V	P4.70KHCT-ND	2
47 $\Omega$	Resistor, SMT	R4	ERJ-3EKF47R0V	P47.0HCT-ND	1

**Table 2. Bill of Materials for TAS5414CDKD (continued)**

VALUE	DESCRIPTION	DESIGNATOR	P/N	P/N (DIGIKEY)	QUANTITY
49.9 kΩ	Resistor, SMT	R5, R6, R7, R23,R28, R33, R36	ERJ-3EKF4992V	P49.9KHCT-ND	7
5.6 Ω	Resistor, SMT	R8, R10, R12, R14,R17, R19, R26, R29	RL1220S-5R6-F	RL12S5.6FCT-ND	8
499 Ω	Resistor, SMT	R21, R22, R24, R25,R31, R32, R34, R35	ERJ-3EKF4990V	P499HCT-ND	8
249 Ω	Resistor, SMT	R37	ERJ-3EKF2490V	P249HCT-ND	1
470 Ω	Resistor, SMT	R44, R45, R46, R47	ERJ-3GEYJ471V	P470GCT-ND	4
332 Ω	Resistor, SMT	R48	ERJ-3EKF3320V	P332HCT-ND	1
S1	E-switch, SPDT, right-angle	S1	100SP1T2B4M7RE	EG2364-ND	1
TAS5414CDKD	4-channel class-D amplifier	U1	TAS5414CTDKDRQ1	TAS5414CTDKDRQ1-ND	1
UA78M33CDCY	Positive-voltage regulator	U3	UA78M33CDCYR	296-13424-1-ND	1

**Table 3. Bill of Materials for TAS5424CDKD**

VALUE	DESCRIPTION	DESIGNATOR	P/N	P/N (DIGIKEY)	QUANTITY
4.7 μF	Capacitor, ceramic	C1, C2	C2012X5R1E475K	445-4116-1-ND	2
0.082 μF	Capacitor, ceramic	C3	ECJ-2YB1H823K	PCC1839CT	1
2200 pF	Capacitor, ceramic	C4	ECJ-2VB1H222K	PCC222BNCT-ND	1
330 μF/35 V	Capacitor, electrolytic	C5, C6, C7, C8	UVR1V331MPD	493-1083-ND	4
1 μF/50 V	Capacitor, ceramic	C9, C10, C27, C28,C50, C51	C3216X7R1H105K	445-1423-1-ND	6
1 nF/50 V	Capacitor, ceramic	C11, C15, C20, C24, C29, C34, C40, C45	ECJ-2VB1H102K	PCC102BNCT-ND	8
150 nF/25 V	Capacitor, ceramic	C12, C16, C21, C25, C30, C35, C41, C46	C2012X7R1E474K	445-1353-1-ND	8
10 nF/25 V	Capacitor, ceramic	C13, C17, C22, C26,C31, C36, C42, C47	ECJ-1VB1E103K	PCC1763CT-ND	8
470 nF/63 V	Capacitor, ceramic	C14, C23, C32, C43	B32529C474J	495-1110-ND	4
22 nF	Capacitor, ceramic	C18	C0603C334K4RACTU	399-4916-1-ND	1
0.1 μF	Capacitor, ceramic	C19, C33, C57	ECJ-1VB1C104K	PCC1762CT-ND	3
0.47μF/16V	Capacitor, film	C37, C44, C48, C53, C54, C59, C60, C63	ECP-U1C474MA5	PCF1130CT-ND	8
1200 pF/50 V	Capacitor, ceramic	C38, C39, C49, C52, C55, C58, C61, C62	ECJ-1VB1H122K	PCC1773CT-ND	8
GRN	Typical GREEN GaAs LED	D1	SML-LX0603GW-TR	67-1549-1-ND	1
RED	Typical RED GaAs LED	D2, D3, D4	SML-LX0603SRW-TR	67-1551-1-ND	3
YEL	Typical YELLOW GaAs LED	D5	SML-LX0603YW-TR	67-1550-1-ND	1
Channel 1, 2, 3, 4 input	RCA phono jack, right angle, thru-hole, snap-in	J1	RCJ-011	CP-1400-ND	4
10 μH	10-μH inductor, SMT	L1	Coilcraft SER1360H-103L		1
Dual_inductor	Dual inductor	L2, L3, L4, L5	Toko HEAW		4
LIGHTPIPE 5POS		LP1	LPF-C051303S		1
Header 7	Header, 7-pin	P1	MD-60S	CP-2460	1
Output	Header, 10-pin, right	P2	Samtech IPBT-110-H1-T-S-RA		1
N MOS	FET - P W/DIODE	Q1	IRLMS5703TRPBF	IRLMS5703PBFCT-ND	1
20 kΩ	Resistor, SMT	R1, R16	ERJ-3EKF2002V	P20.0KHCT-ND	2
4.7 kΩ	Resistor, SMT	R2, R3	ERJ-3EKF4701V	P4.70KHCT-ND	2
47 Ω	Resistor, SMT	R4	ERJ-3EKF47R0V	P47.0HCT-ND	1
49.9 kΩ	Resistor, SMT	R5, R6, R7, R23, R9, R20, R24, R31, R32, R37, R49	ERJ-3EKF4992V	P49.9KHCT-ND	11
5.6 Ω	Resistor, SMT	R8, R10, R12, R14,R17, R19, R26, R29	RL1220S-5R6-F	RL12S5.6FCT-ND	8
499 Ω	Resistor, SMT	R21, R22, R11, R13, R15, R18, R25, R27, R28, R30, R33, R34, R35, R36, R50, R51	ERJ-3EKF4990V	P499HCT-ND	16
470 Ω	Resistor, SMT	R44, R45, R46, R47	ERJ-3GEYJ471V	P470GCT-ND	4
332 Ω	Resistor, SMT	R48	ERJ-3EKF3320V	P332HCT-ND	1
S1	E-switch, SPDT, right-angle	S1	100SP1T2B4M7RE	EG2364-ND	1
TAS5424CDKD	4-channel class-D amplifeir	U2	TAS5424CTDKDRQ1	TAS5424CTDKDRQ1-ND	1
UA78M33CDCY	Positive-voltage regulator	U3	UA78M33CDCYR	296-13424-1-ND	1

## **7 Related Documentation from Texas Instruments**

The TAS5414C, TAS5424C, Four-Channel Automotive Digital Amplifiers data sheet can be found online at [www.ti.com](http://www.ti.com).

## Evaluation Board/Kit Important Notice

Texas Instruments (TI) provides the enclosed product(s) under the following conditions:

This evaluation board/kit is intended for use for **ENGINEERING DEVELOPMENT, DEMONSTRATION, OR EVALUATION PURPOSES ONLY** and is not considered by TI to be a finished end-product fit for general consumer use. Persons handling the product(s) must have electronics training and observe good engineering practice standards. As such, the goods being provided are not intended to be complete in terms of required design-, marketing-, and/or manufacturing-related protective considerations, including product safety and environmental measures typically found in end products that incorporate such semiconductor components or circuit boards. This evaluation board/kit does not fall within the scope of the European Union directives regarding electromagnetic compatibility, restricted substances (RoHS), recycling (WEEE), FCC, CE or UL, and therefore may not meet the technical requirements of these directives or other related directives.

Should this evaluation board/kit not meet the specifications indicated in the User's Guide, the board/kit may be returned within 30 days from the date of delivery for a full refund. **THE FOREGOING WARRANTY IS THE EXCLUSIVE WARRANTY MADE BY SELLER TO BUYER AND IS IN LIEU OF ALL OTHER WARRANTIES, EXPRESSED, IMPLIED, OR STATUTORY, INCLUDING ANY WARRANTY OF MERCHANTABILITY OR FITNESS FOR ANY PARTICULAR PURPOSE.**

The user assumes all responsibility and liability for proper and safe handling of the goods. Further, the user indemnifies TI from all claims arising from the handling or use of the goods. Due to the open construction of the product, it is the user's responsibility to take any and all appropriate precautions with regard to electrostatic discharge.

**EXCEPT TO THE EXTENT OF THE INDEMNITY SET FORTH ABOVE, NEITHER PARTY SHALL BE LIABLE TO THE OTHER FOR ANY INDIRECT, SPECIAL, INCIDENTAL, OR CONSEQUENTIAL DAMAGES.**

TI currently deals with a variety of customers for products, and therefore our arrangement with the user **is not exclusive.**

TI assumes **no liability for applications assistance, customer product design, software performance, or infringement of patents or services described herein.**

Please read the User's Guide and, specifically, the Warnings and Restrictions notice in the User's Guide prior to handling the product. This notice contains important safety information about temperatures and voltages. For additional information on TI's environmental and/or safety programs, please contact the TI application engineer or visit [www.ti.com/esh](http://www.ti.com/esh).

No license is granted under any patent right or other intellectual property right of TI covering or relating to any machine, process, or combination in which such TI products or services might be or are used.

## FCC Warning

This evaluation board/kit is intended for use for **ENGINEERING DEVELOPMENT, DEMONSTRATION, OR EVALUATION PURPOSES ONLY** and is not considered by TI to be a finished end-product fit for general consumer use. It generates, uses, and can radiate radio frequency energy and has not been tested for compliance with the limits of computing devices pursuant to part 15 of FCC rules, which are designed to provide reasonable protection against radio frequency interference. Operation of this equipment in other environments may cause interference with radio communications, in which case the user at his own expense will be required to take whatever measures may be required to correct this interference.

## EVM Warnings and Restrictions

It is important to operate this EVM within the input voltage range of 6 V to 24 V and the output voltage range of 6 V to 24 V.

Exceeding the specified input range may cause unexpected operation and/or irreversible damage to the EVM. If there are questions concerning the input range, please contact a TI field representative prior to connecting the input power.

Applying loads outside of the specified output range may result in unintended operation and/or possible permanent damage to the EVM. Please consult the EVM User's Guide prior to connecting any load to the EVM output. If there is uncertainty as to the load specification, please contact a TI field representative.

During normal operation, some circuit components may have case temperatures greater than 115°C. The EVM is designed to operate properly with certain components above 115°C as long as the input and output ranges are maintained. These components include but are not limited to linear regulators, switching transistors, pass transistors, and current sense resistors. These types of devices can be identified using the EVM schematic located in the EVM User's Guide. When placing measurement probes near these devices during operation, please be aware that these devices may be very warm to the touch.

Mailing Address: Texas Instruments, Post Office Box 655303, Dallas, Texas 75265  
Copyright © 2013, Texas Instruments Incorporated

## IMPORTANT NOTICE

Texas Instruments Incorporated and its subsidiaries (TI) reserve the right to make corrections, enhancements, improvements and other changes to its semiconductor products and services per JESD46, latest issue, and to discontinue any product or service per JESD48, latest issue. Buyers should obtain the latest relevant information before placing orders and should verify that such information is current and complete. All semiconductor products (also referred to herein as "components") are sold subject to TI's terms and conditions of sale supplied at the time of order acknowledgment.

TI warrants performance of its components to the specifications applicable at the time of sale, in accordance with the warranty in TI's terms and conditions of sale of semiconductor products. Testing and other quality control techniques are used to the extent TI deems necessary to support this warranty. Except where mandated by applicable law, testing of all parameters of each component is not necessarily performed.

TI assumes no liability for applications assistance or the design of Buyers' products. Buyers are responsible for their products and applications using TI components. To minimize the risks associated with Buyers' products and applications, Buyers should provide adequate design and operating safeguards.

TI does not warrant or represent that any license, either express or implied, is granted under any patent right, copyright, mask work right, or other intellectual property right relating to any combination, machine, or process in which TI components or services are used. Information published by TI regarding third-party products or services does not constitute a license to use such products or services or a warranty or endorsement thereof. Use of such information may require a license from a third party under the patents or other intellectual property of the third party, or a license from TI under the patents or other intellectual property of TI.

Reproduction of significant portions of TI information in TI data books or data sheets is permissible only if reproduction is without alteration and is accompanied by all associated warranties, conditions, limitations, and notices. TI is not responsible or liable for such altered documentation. Information of third parties may be subject to additional restrictions.

Resale of TI components or services with statements different from or beyond the parameters stated by TI for that component or service voids all express and any implied warranties for the associated TI component or service and is an unfair and deceptive business practice. TI is not responsible or liable for any such statements.

Buyer acknowledges and agrees that it is solely responsible for compliance with all legal, regulatory and safety-related requirements concerning its products, and any use of TI components in its applications, notwithstanding any applications-related information or support that may be provided by TI. Buyer represents and agrees that it has all the necessary expertise to create and implement safeguards which anticipate dangerous consequences of failures, monitor failures and their consequences, lessen the likelihood of failures that might cause harm and take appropriate remedial actions. Buyer will fully indemnify TI and its representatives against any damages arising out of the use of any TI components in safety-critical applications.

In some cases, TI components may be promoted specifically to facilitate safety-related applications. With such components, TI's goal is to help enable customers to design and create their own end-product solutions that meet applicable functional safety standards and requirements. Nonetheless, such components are subject to these terms.

No TI components are authorized for use in FDA Class III (or similar life-critical medical equipment) unless authorized officers of the parties have executed a special agreement specifically governing such use.

Only those TI components which TI has specifically designated as military grade or "enhanced plastic" are designed and intended for use in military/aerospace applications or environments. Buyer acknowledges and agrees that any military or aerospace use of TI components which have **not** been so designated is solely at the Buyer's risk, and that Buyer is solely responsible for compliance with all legal and regulatory requirements in connection with such use.

TI has specifically designated certain components as meeting ISO/TS16949 requirements, mainly for automotive use. In any case of use of non-designated products, TI will not be responsible for any failure to meet ISO/TS16949.

### Products

Audio	<a href="http://www.ti.com/audio">www.ti.com/audio</a>
Amplifiers	<a href="http://amplifier.ti.com">amplifier.ti.com</a>
Data Converters	<a href="http://dataconverter.ti.com">dataconverter.ti.com</a>
DLP® Products	<a href="http://www.dlp.com">www.dlp.com</a>
DSP	<a href="http://dsp.ti.com">dsp.ti.com</a>
Clocks and Timers	<a href="http://www.ti.com/clocks">www.ti.com/clocks</a>
Interface	<a href="http://interface.ti.com">interface.ti.com</a>
Logic	<a href="http://logic.ti.com">logic.ti.com</a>
Power Mgmt	<a href="http://power.ti.com">power.ti.com</a>
Microcontrollers	<a href="http://microcontroller.ti.com">microcontroller.ti.com</a>
RFID	<a href="http://www.ti-rfid.com">www.ti-rfid.com</a>
OMAP Applications Processors	<a href="http://www.ti.com/omap">www.ti.com/omap</a>
Wireless Connectivity	<a href="http://www.ti.com/wirelessconnectivity">www.ti.com/wirelessconnectivity</a>

### Applications

Automotive and Transportation	<a href="http://www.ti.com/automotive">www.ti.com/automotive</a>
Communications and Telecom	<a href="http://www.ti.com/communications">www.ti.com/communications</a>
Computers and Peripherals	<a href="http://www.ti.com/computers">www.ti.com/computers</a>
Consumer Electronics	<a href="http://www.ti.com/consumer-apps">www.ti.com/consumer-apps</a>
Energy and Lighting	<a href="http://www.ti.com/energy">www.ti.com/energy</a>
Industrial	<a href="http://www.ti.com/industrial">www.ti.com/industrial</a>
Medical	<a href="http://www.ti.com/medical">www.ti.com/medical</a>
Security	<a href="http://www.ti.com/security">www.ti.com/security</a>
Space, Avionics and Defense	<a href="http://www.ti.com/space-avionics-defense">www.ti.com/space-avionics-defense</a>
Video and Imaging	<a href="http://www.ti.com/video">www.ti.com/video</a>

### TI E2E Community

[e2e.ti.com](http://e2e.ti.com)