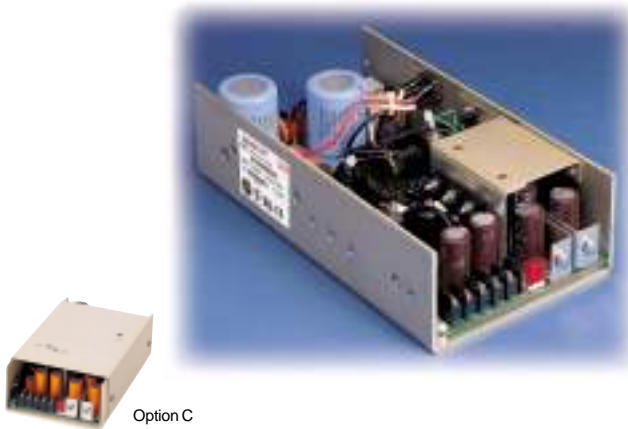


MAX-250, MAX-350, Multiple Output

NON-STOCK ITEM; SPECIAL ORDER ONLY
NOT FOR NEW DESIGNS



Option C

SPECIFICATIONS:

INPUT

Ac Input: 90-132 Vac/180-264 Vac, 47 to 63 Hz. User selectable. See option "A" for automatic line selection. Internally fused for 10 A.

Inrush: Cold start ac current is less than 10 A at 115 Vac and 18 A at 230 Vac.

Holdup Time: 16 ms minimum after removal of power, at nominal line, full load.

Efficiency: 80% typical.

Brownout Protection: Holds regulation to 85 Vac or 170 Vac.

OUTPUT

Adjustability: User adjustable $\pm 5\%$ minimum.

Line & Load Regulation: $\pm 1\%$ over ac input range and 0 to 100% load change. Output #1 requires minimum load of 10%.

Ripple & Noise: Less than 1% p-p or 100 mV, whichever is greater.

Remote Sense (Output #1): Compensates for 250 mV total line drop. Open sense lead protection.

Temperature Coefficient: 0.02% per degree C.

Stability: 0.1% over 8 hours after 30 minutes warm-up.

Transient Response (Output #1): Output voltage returns to within 1% in less than 500 μ s for a 50% load change. Peak transient does not exceed 5%.

Overload Protection: All outputs are protected against overload and short circuit. Automatic recovery upon removal of fault.

Overvoltage Protection (Output #1): Protects load against power supply induced overvoltage. Trip point is factory set so that output voltage cannot exceed 136% of nominal.

Remote Inhibit: Contact closure to the negative sense line drops output power to nominal zero.

Reverse Voltage: Protected against reverse voltage up to supply current rating.

ENVIRONMENTAL

Thermal Protection: Shuts down power supply if overheated. Automatic recovery.

Temperature Range: 0° to 50°C at full ratings. Derate to half power at 70°C.

Safety Agencies: Most models are approved to UL1950; CSA 22.2 #234; IEC 950 and TÜV EN60950, Class 1 SELV., CE 72/23/EEC/93/68EEC (low voltage directive).

Conducted RFI: Meets FCC Part 15, Subpart J, Class A; EN55022 Class B; CISPR 22 Class B.

Cooling: 30 cfm required to achieve full ratings.

Output Isolation: Isolated from ground 50 Vdc.

FEATURES:

- Over 3 watt/in³ power density
- 80% overall efficiency
- Meets international safety agency requirements
- All outputs regulated $\pm 1\%$
- High peak currents for motor starting
- System air or self-cooling options
- Ac automatic line selection option
- Available in 24, 28, or 48 Vdc input

OPTIONS:

Option "A", Ac Auto-Range: Automatically selects proper ac line voltage range to enable power operation at either 115 or 230 Vac without user intervention.

Option "C", Cover: Limits contact with power supply interior.

Option "F", Fan/Cover Assembly: Cover with integral ball-bearing fan provides proper cooling to achieve full ratings at 50°C ambient temperature.

Option "P", Ac Power Fail: Provides TTL "0" 5 ms before output voltage goes out of regulation band upon loss of ac power. VMEbus compatible, provides 48 mA sink current capability. Not available if option "G" is selected.

AC INPUT

FUNCTION	115 VAC	230 VAC	CONNECTOR
Input Select	Short	Open	0.187 Male Fastons
TB1-(L)	Line	Line 1	Barrier strip
TB1-(N)	Neutral	Line 2	
TB1-(GND)	Safety Ground	Safety Ground	3/8" centers

DC INPUT

FUNCTION	MAX	CONNECTOR
Output #1	Terminal marked +V	Bus bars
	Terminal marked COM	
Output #2	TB2-3 (+)	Barrier strip
	TB2-4 Rtn (Common)	
Output #3	TB2-5 (-)	#6-32 Screws
	TB2-4 Rtn (Common)	
Output #4*	TB2-1 (+)	3/8" centers
	TB2-2 (-)	

STATUS AND CONTROL

FUNCTION	LOCATION	NOTES	CONNECTOR
Remote Sense	J1-1(+S)	Output #1 Sense	#640456-4 pin header (locking)
	J1-2 (S-)	Output #1 Sense Rtn	
Ac Power Fail or Dc Power Good*	J1-3 (PF)	Reference to J1-2	
Inhibit	J1-4 (H)	Short to J1-2	

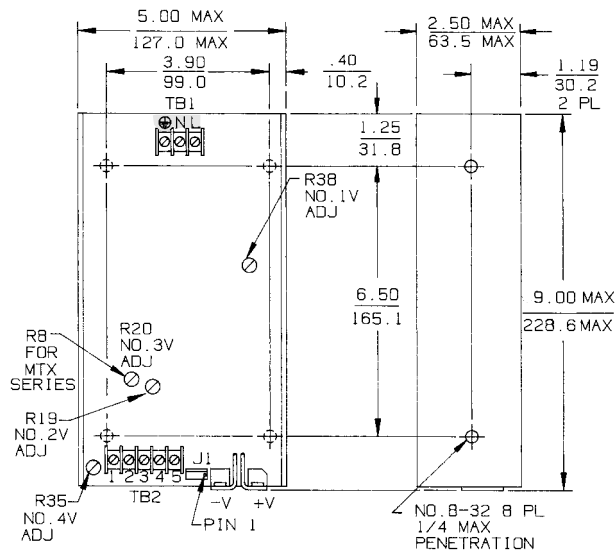
*Rtn connected to common only if output is polarized in product selection chart

MAX-250, MAX-350, Multiple Output

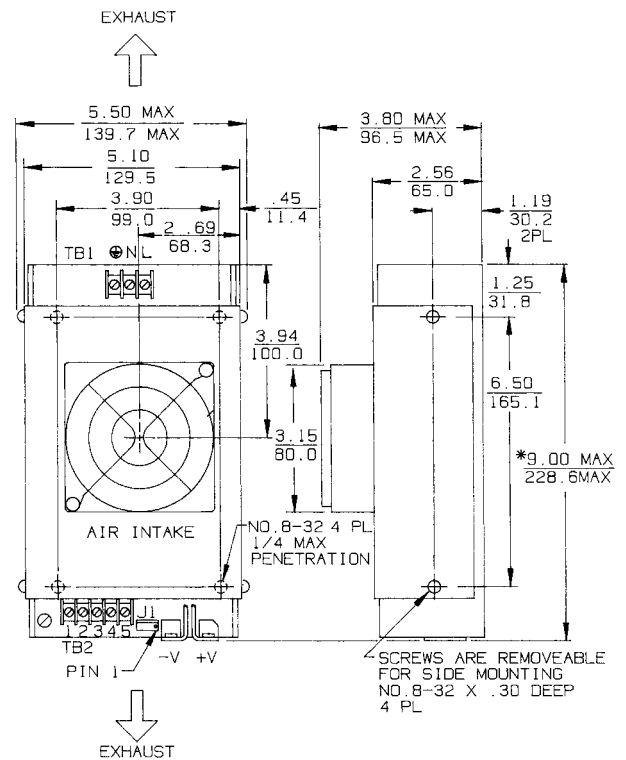
Commercial Model	Power Out	Output No.	Output	Current	Total Regulation(A)
MAX-254-1205AFP	250	1	+5 V	35 A	1%
		2	+12 V	8/12 A pk	1%
		3	-12 V	4 A	1%
		4	5.2 V	2 A	1%
MAX-354-1205AC	350	1	+5 V	50 A	1%
		2	+12 V	8/12 A pk	1%
		3	-12 V	4 A	1%
MAX-354-1205AFP	350	4	5.2 V	2 A	1%
		1	+5 V	50 A	1%
MAX-354-1212FP	350	2	+12 V	8/12 A pk	1%
		3	-12 V	2 A	1%
		4	12 V	2 A	1%

MAX-250, MAX-350 MECHANICAL SPECIFICATIONS:

MAX-350
3.4 lb - 1.5 kg



MAX-350 with Option F
3.9 lb - 1.8 kg



Dimensions: Inches
Millimeters



Condor D.C. Power Supplies, Inc., 2311 Statham Parkway, Oxnard, CA 93033
800-235-5929 • 805-486-4565 • FAX 805-487-8911 • www.condorpower.com