



CABLE 197 RF: I-PEX MHF + FRONT MOUNT RP SMA S/T BULKHEAD JACK WITH O-RING RATED TO IP67/68 + MULTIPLE CABLE SIZES

SPECIFICATIONS :

- I-PEX MHF PLUG, P/N:  
 FOR  $\phi 1.13\text{MM}$  CABLE: 20278-112R-13.  
 FOR  $\phi 0.81\text{MM}$  CABLE: 20278-112R-08.  
 FOR RG178 CABLE: 20278-112R-18.  
 FOR  $\phi 1.37\text{MM}$  CABLE 20351-112R-37.  
 FOR  $\phi 1.32\text{MM}$  /  $\phi 1.32\text{MM}$  DS CABLE: 20278-112R-32.
- COAXIAL CABLE, SEE P/N FOR DETAIL.
- FRONT MOUNT RP SMA STRAIGHT BULKHEAD JACK WITH O-RING RATED TO IP67/68, P/N: RFCT-SMA013-F78.

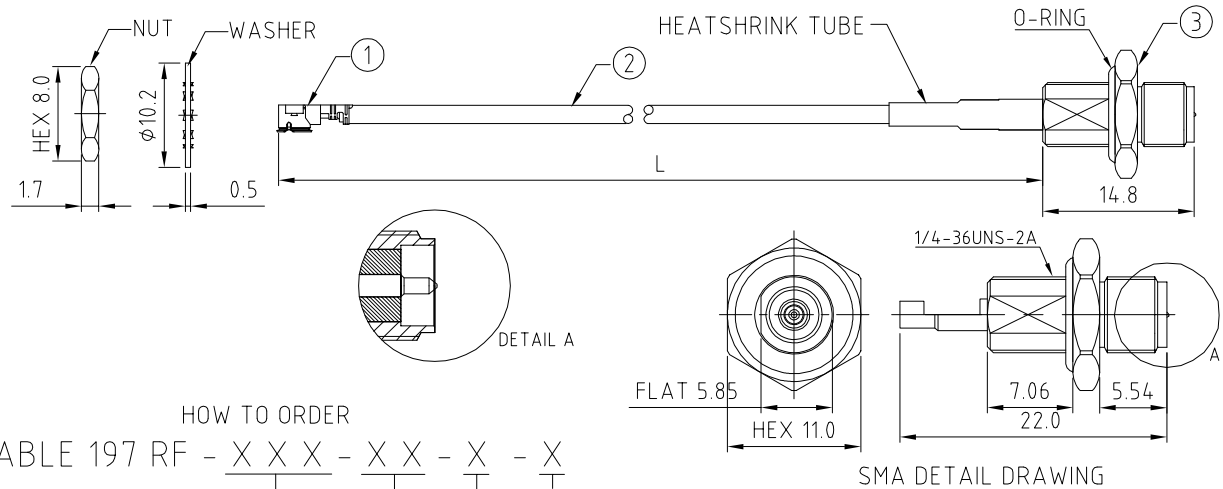
ENVIRONMENTAL:

- BULKHEAD MOUNTED CONNECTOR (RFCT-SMA013-F78) RATED TO THE FOLLOWING SPECIFICATION:
  - IP6X - DUST TIGHT - NO PARTICLE INGRESS.
  - IPX7 WATERPROOF FOR 30 MINUTES UP TO 1 METER UNDERWATER.
  - IPX8 WATERPROOF FOR 48 HOURS AT 1 METER UNDERWATER.

NOTES:

- THE ORIENTATION OF CONNECTORS ON DRAWING IS FOR REFERENCE ONLY, IF THE ORDER IS LEFT BLANK THE CONNECTOR WILL NOT HAVE FIXED ORIENTATION.
- FIXED ORIENTATION IS SUGGESTED FOR CABLE LENGTH 25MM TO 100MM. PLEASE SPECIFY THE FIXED ORIENTATIONS FROM THE ORDER CODE (F1, F2, ETC)
- CONTACT GRADCONN IF THE ORIENTATION YOU REQUIRE IS NOT SHOWN.
- WORKING FREQUENCY RANGE: DC-3GHz.
- OPERATING TEMPERATURE:  $-40^{\circ}\text{C}$ ~ $+90^{\circ}\text{C}$ .
- IT IS INTENDED THAT MOUNTING OF THIS CONNECTOR IS ACHIEVED USING THE NUT AND WASHER PROVIDED. PLEASE CONTACT GRADCONN FOR ADVISE IF PLANNING TO USE A DIFFERENT METHOD OF MOUNTING. .
- IMPEDANCE: 50 OHM.

USAGE PRECAUTIONS: CABLES USING 'MICRO' COAX ARE DELICATE:  
 (i) HANDLE WITH CARE.  
 (ii) DO NOT TWIST; APPLY EXCESSIVE FORCES OR SHARP BENDS TO THE CABLE. DO NOT FORCEFULLY DEFORM WIRES.  
 (iii) CONSULT CONNECTOR MANUFACTURER'S DATASHEETS FOR DETAILED NOTES ON HANDLING INSTRUCTIONS.



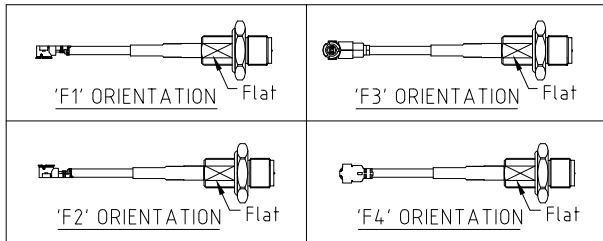
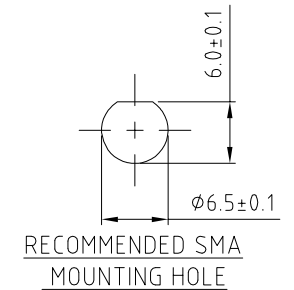
HOW TO ORDER  
 CABLE 197 RF - X X X - X X - X - X

"L" LENGTH IN MM:  
 eg: 100MM = 100  
 (MIN. 025-MAX 400)  
 STANDARD = 100, 150, 200  
 Tolerance: 20-50mm:  $\pm 2\text{mm}$ .  
 51-200mm:  $\pm 5\text{mm}$ .  
 201-400mm:  $\pm 7\text{mm}$ .

CABLE SIZE OPTIONS:  
 1 =  $\phi 1.13\text{MM}$  CABLE, COLOR: GRAY  
 2 =  $\phi 0.81\text{MM}$  CABLE, COLOR: GRAY  
 3 =  $\phi 1.13\text{MM}$  LOW LOSS CABLE, COLOR: GRAY  
 4 = RG178 CABLE, COLOR: BROWN  
 5 =  $\phi 1.37\text{MM}$  CABLE, COLOR: BLACK  
 6 =  $\phi 1.32\text{MM}$  CABLE, COLOR: GRAY  
 7 =  $\phi 1.32\text{MM}$  DS CABLE, COLOR: GRAY

WASHER AND NUT OPTIONS:  
 BLANK = SEPARATELY PACKED (STANDARD)  
 A = ALL ASSEMBLED WITH CONNECTOR

ORIENTATION OPTIONS:  
 BLANK = DOES NOT HAVE A FIXED ORIENTATION  
 F1 = MHF CONNECTION DOWN (L=25-100MM)  
 F2 = MHF CONNECTION UP (L=25-100MM)  
 F3 = MHF CONNECTION AND D FLAT SAME ORIENTATION (L=25-100MM)  
 F4 = MHF CONNECTION AND D FLAT OPPOSITE ORIENTATION (L=25-100MM)  
 (SEE NOTES 1, 2, 3 AND DIAGRAMS FOR MORE INFORMATION)



10	21/07/15 - NYW RELEASE
11	23/07/15 - NYW UPDATE SMA PART NUMBER.
12	30/10/15 - R/H ADD IP67/68 RATING INFO.
13	17/02/16 - NYW AMEND IP67/68 TEST STATUS
14	20/06/16 - NYW ADD 0.81 CABLE OPTION 2.
15	10/07/17 - NYW ADD 1.13 L.L CABLE OPTION 3.
16	22/02/17 - NYW ADD RG178 CABLE OPTION 4.
17	04/12/17 - NYW ADD 1.37MM CABLE OPTION 5.
18	27/05/18 - NYW ADD OPERATING TEMP.
19	17/08/20 - NYW ADD NOTE 6.
20	28/06/21 - NYW ADD 1.32MM CABLE OPTION 6.
21	05/11/21 - NYW ADD SIZE OPTION 7.
22	29/06/22 - NYW CORRECT IPEX P/N FOR 137 CABLE.
23	23/12/22 - CC ADD ORIENTATION OPTIONS F3&F4.

Scale:	NTS	THIRD ANGLE	Unstated Tolerances:
Drawn:	CC		.X N/A .XX N/A .XXX N/A ANGLES N/A
App'd:	XXX	Title	CABLE ASSEMBLY
Date:	23 DEC. '22	Revision:	2.3
		Unit:	mm

 IP67/68 Rated Cables	 www.gradconn.com	Type:	Cable 197 RF
			CABLE 197 RF
		Drawing Number:	Sheet 1 of 1
		Drawing	E and O E