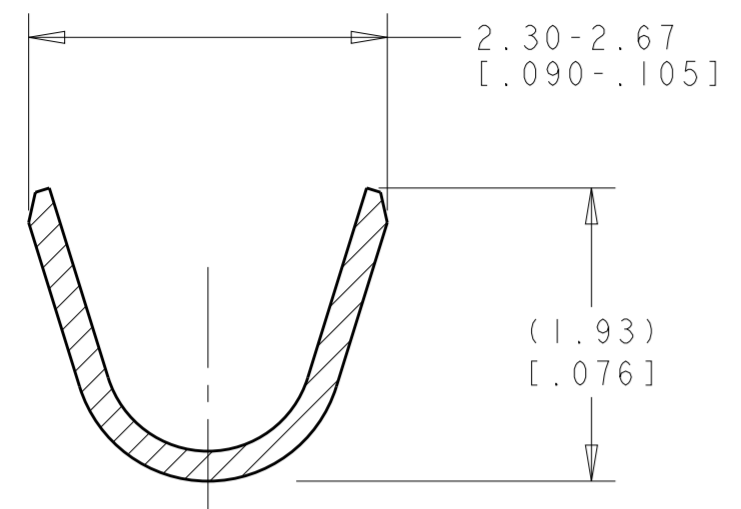
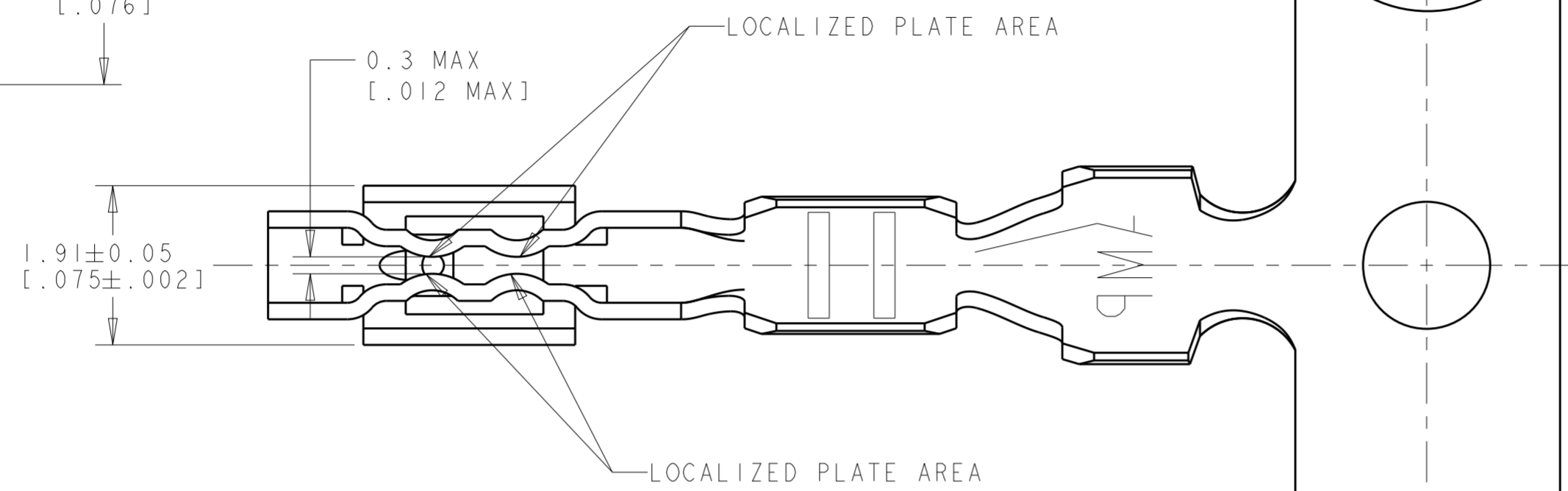


THIS DRAWING IS UNPUBLISHED. RELEASED FOR PUBLICATION 20
 © COPYRIGHT 20 BY - ALL RIGHTS RESERVED.

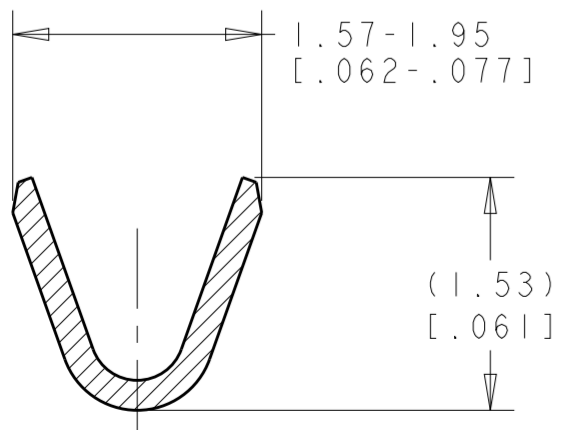
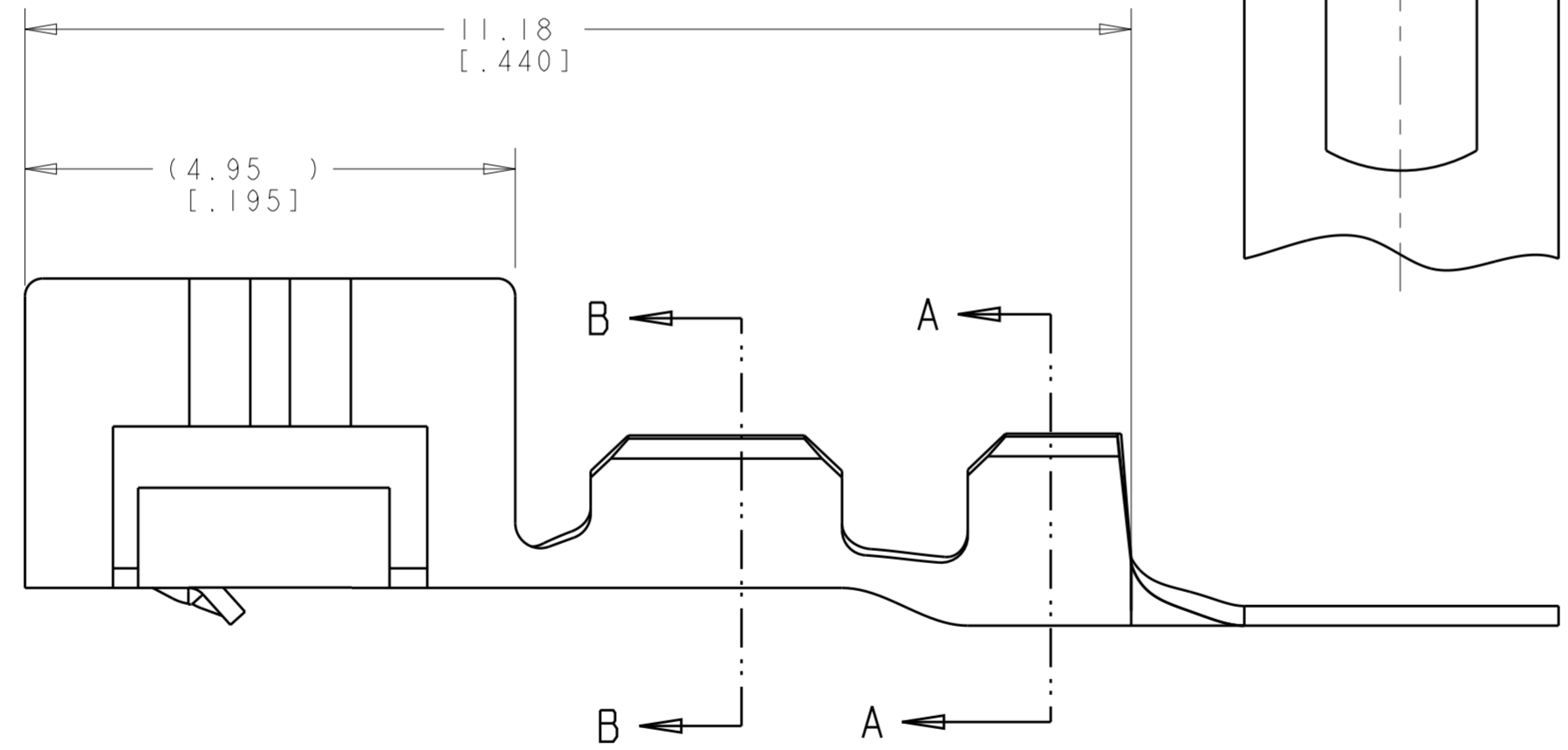
LOC	DIST	REVISIONS					
GP	00	P	LTR	DESCRIPTION	DATE	DWN	APVD
		B1		REVISED PER ECO-11-004835	11MAR2011	RK	HMR
		B2		REVISED PER ECR-20-100316	12AUG2020	PJ	VS



SECTION A-A
SCALE 20:1

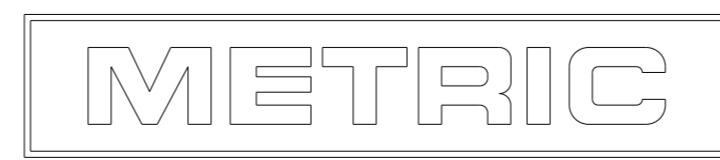


- WIRE RANGE .13 - .35 mm² (26 -22 AWG).
- INSULATION RANGE 0.89 - 1.65 [.035 - .065].
- 0.00038 [.000015] MIN GOLD STRIPE IN LOCALIZED AREA OVER 0.00127 [.000050] MIN NICKEL OVER ENTIRE CONTACT -OR- GOLD FLASH OVER PALLADIUM-NICKEL .00038 [.000015] MIN TOTAL IN LOCALIZED AREA OVER .00127 [.000050] MIN NICKEL OVER ENTIRE CONTACT.
- 0.00076 [.000030] MIN GOLD STRIPE IN LOCALIZED AREA OVER 0.000127 [.000050] MIN NICKEL OVER ENTIRE CONTACT -OR- GOLD FLASH OVER PALLADIUM-NICKEL .00076 [.000030] MIN TOTAL IN LOCALIZED AREA OVER .00127 [.000050] MIN NICKEL OVER ENTIRE CONTACT.
- NOT FOR USE IN HOUSING PART NUMBER 770602.
- CONTACTS COATED WITH ANTI-FRETTING LUBRICANT.



SECTION B-B
SCALE 20:1

4	PH BRZ	1375819-3
3	PH BRZ	1375819-2
PRE-TIN	PH BRZ	1375819-1
FINISH	MATERIAL	PART NUMBER



THIS DRAWING IS A CONTROLLED DOCUMENT.

DIMENSIONS: mm [INCHES]	TOLERANCES UNLESS OTHERWISE SPECIFIED:	DWN: 21-JUNE-2001 K. WHITAKER	TE Connectivity CONTACT, CST 100 11
	0 PLC ±	CHK: 21-JUNE-2001 J. ELLIS	
	1 PLC ±	APVD: 21-JUNE-2001 J. ELLIS	
	2 PLC ±0.13 [.005]	PRODUCT SPEC 108-1948	
3 PLC ±	APPLICATION SPEC 114-13036	NAME	SIZE: A2
4 PLC ±	WEIGHT	DRAWING NO: C-1375819	CAGE CODE: 200779
ANGLES ±	CUSTOMER DRAWING	RESTRICTED TO	SCALE: 15:1
FINISH			SHEET 1 OF 1