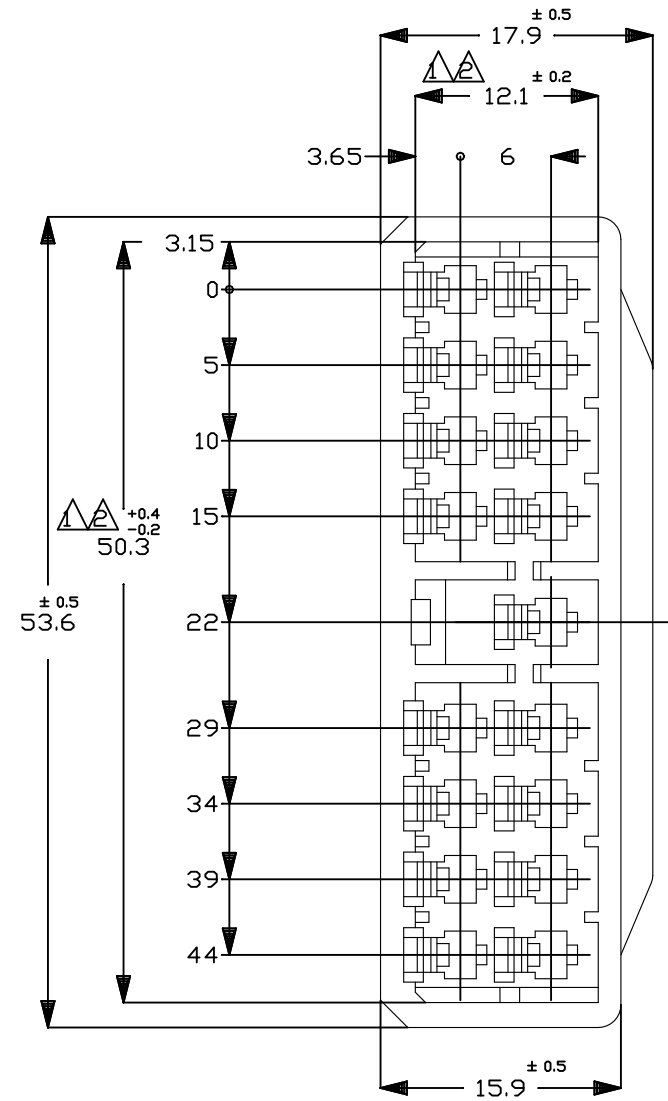
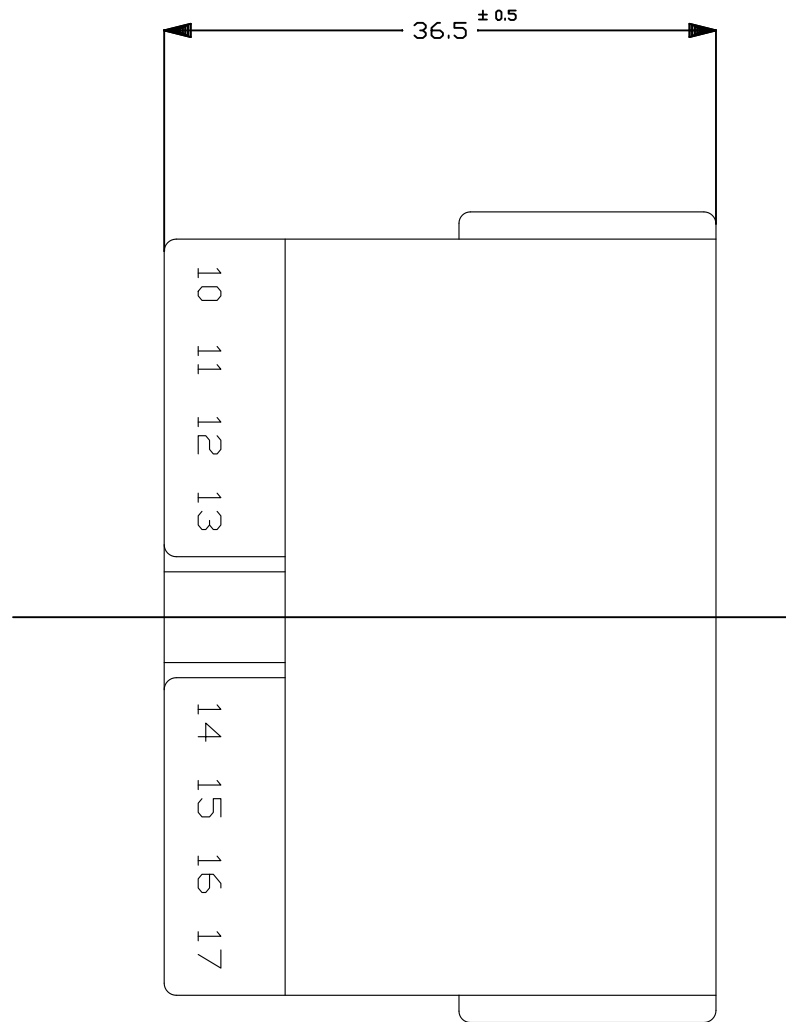


P	LTR	DESCRIPTION	DATE	DWN	APVD
	A1	REVISED PER ECR-23-XXXXX	30JAN2023	RK	MT

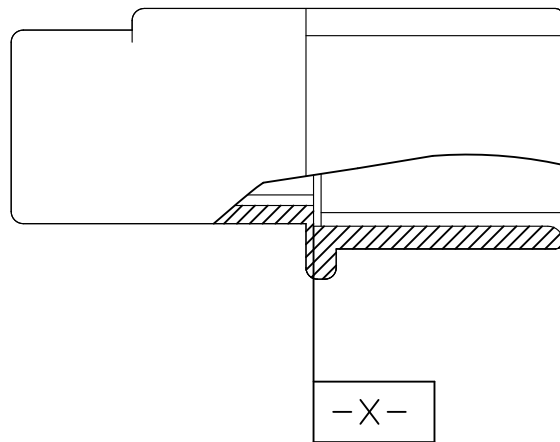


NOTES;

- △ TO BE MEASURED WITH IN 2mm FROM -A-
- △ IN COUPLING WITH THE PLUG HOUSING MATING SATISFIES FUNCTION
- 3 APPLIED CONTACT P/N 172777,172779
- 4 PRODUCT SPEC No. 108-5166
- 5 IN COUPLING WITH THE PLUG HOUSING MATING FORCE 29.4N(3Kgf)MAX. WITHOUT REC CONTACT

注 ;

- △ -A- 面より2mmの範囲で測定
- △ 相手ハウジングと所定の機能を満たして嵌合できること
- 3 内装するタブコンタクト型番172777, 172779他
- 4 製品規格 NO.108-5166
- 5 相手ハウジングとの嵌合力は3Kg以下
但しタブコンタクトは含まない



OBSOLETE	172509-7	黄<YELLOW>
OBSOLETE	172509-6	灰<GRAY>
OBSOLETE	172509-5	青<BLUE>
	172509-4	緑<GREEN>
	172509-2	黒<BLACK>
	172509-1	自然色<NATURAL>
	番号<PN>	色<COLOR>

一般公差
(GENERAL TOLERANCE)
10以下: ±0.2
10<#>30以下: ±0.25
30<#>100以下: ±0.3
角度 ±3°

THIS DRAWING IS A CONTROLLED DOCUMENT.		DWN K.YUASA 10/12'92	TE Connectivity 17 Pos. CAP HOUSING MULTI-INTERLOCK CONN. (MIC-MK II)				
DIMENSIONS: mm		CHK A.TOMITA 10/12'92				NAME	
TOLERANCES UNLESS OTHERWISE SPECIFIED:		APVD A.TOMITA 10/12'92				PRODUCT SPEC	
0 PLC ± - 1 PLC ± - 2 PLC ± - 3 PLC ± - 4 PLC ± - ANGLES ± -		APPLICATION SPEC					
MATERIAL (NYLON)		FINISH -	WEIGHT -	SIZE A3	CAGE CODE 00779	DRAWING NO C-172509	RESTRICTED TO -
CUSTOMER DRAWING			SCALE 2:1	SHEET 1 OF 1	REV A1		