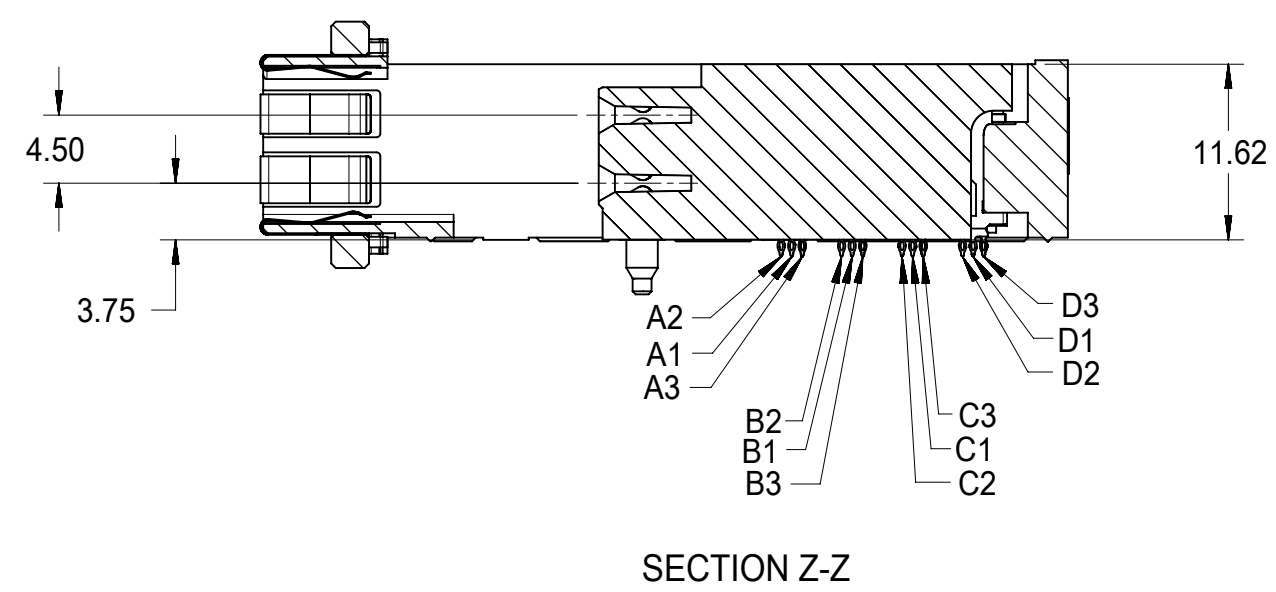
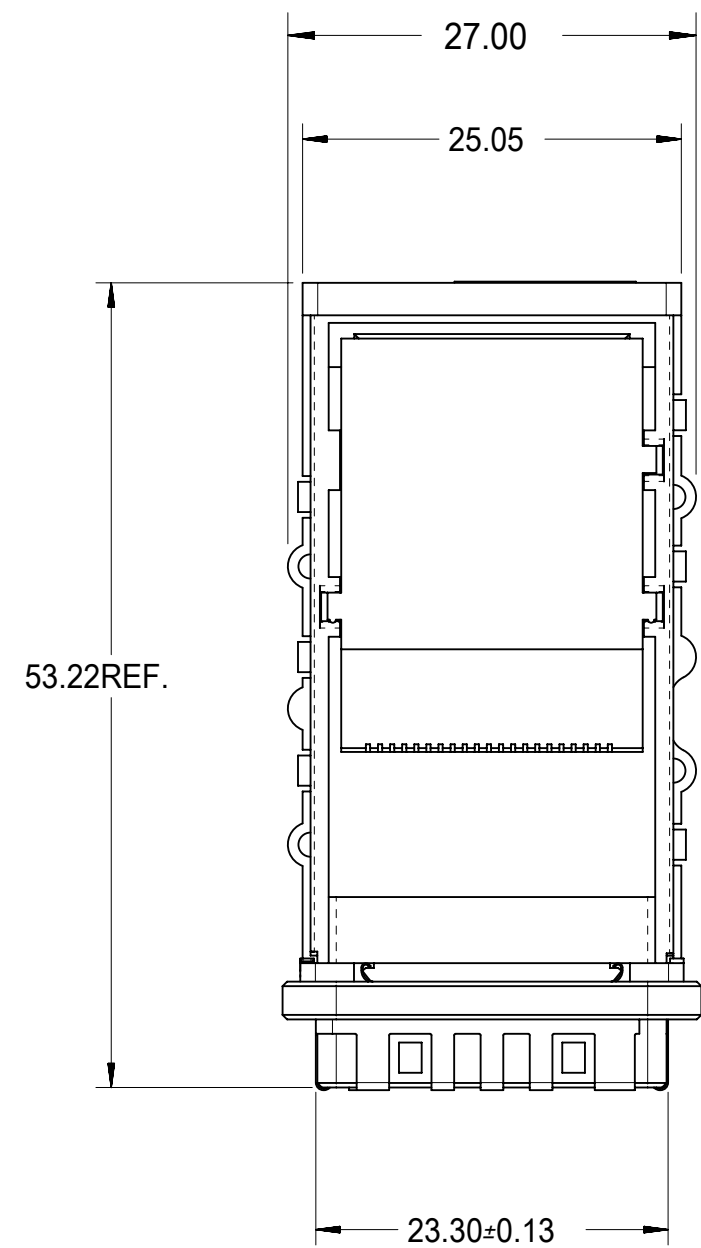
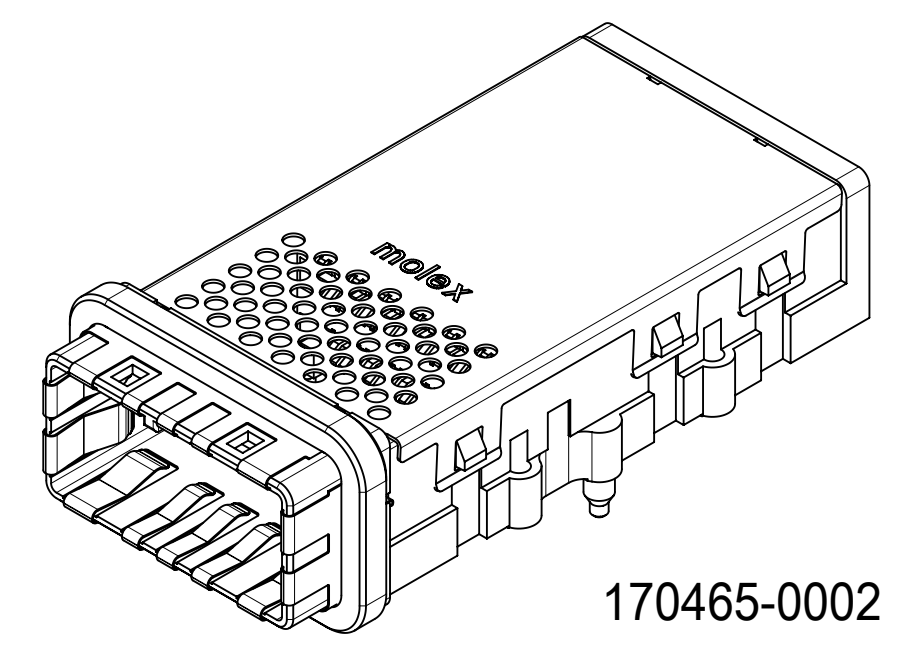
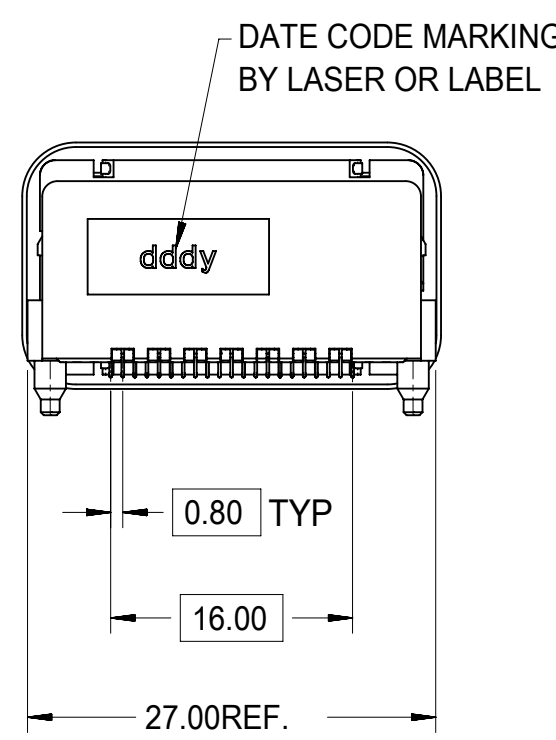
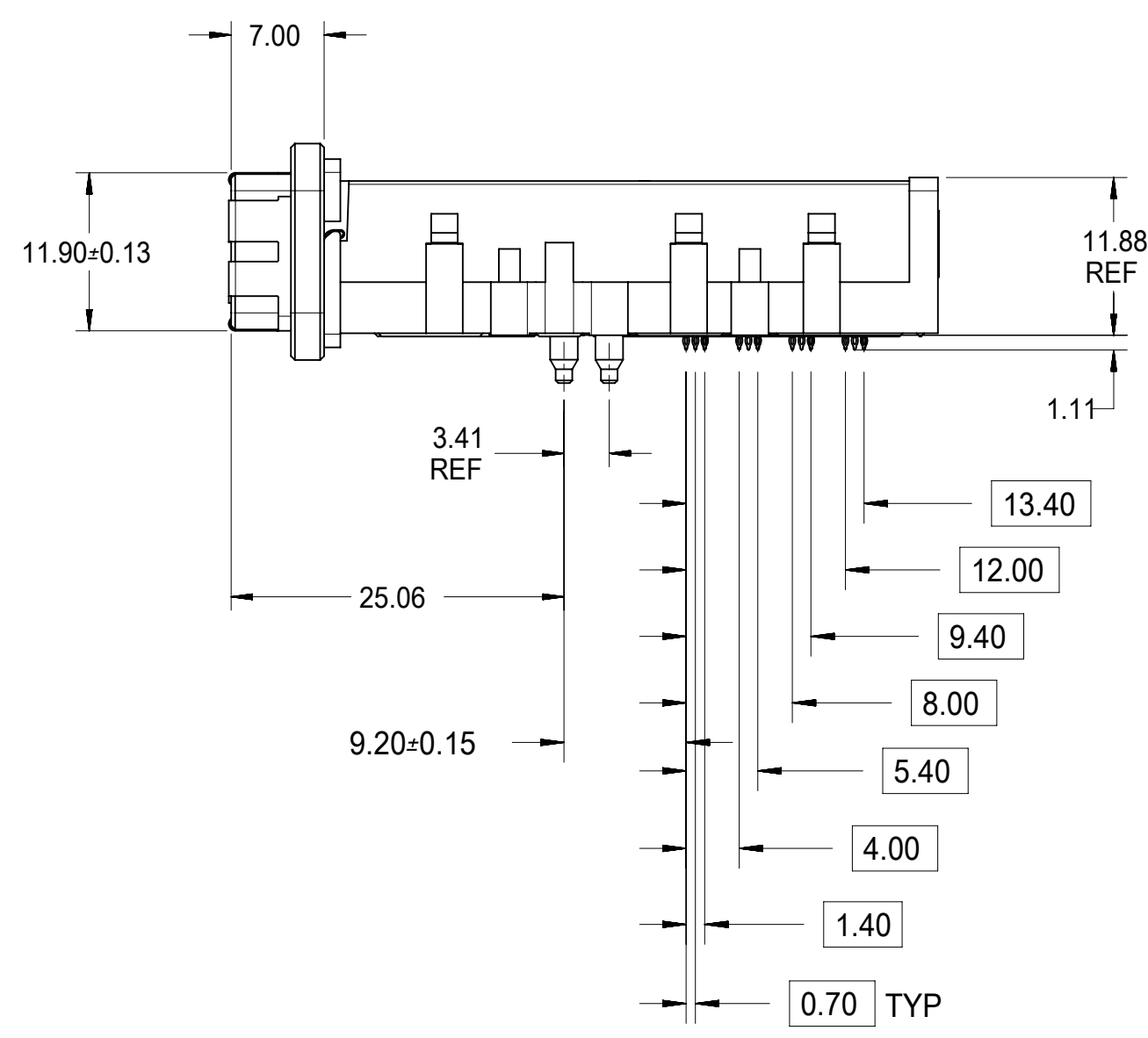
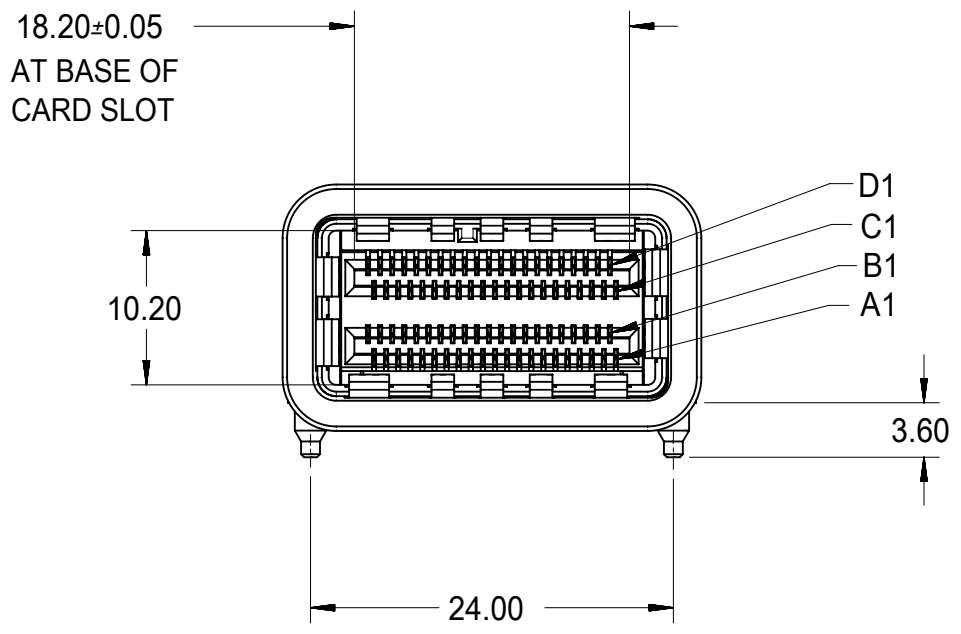


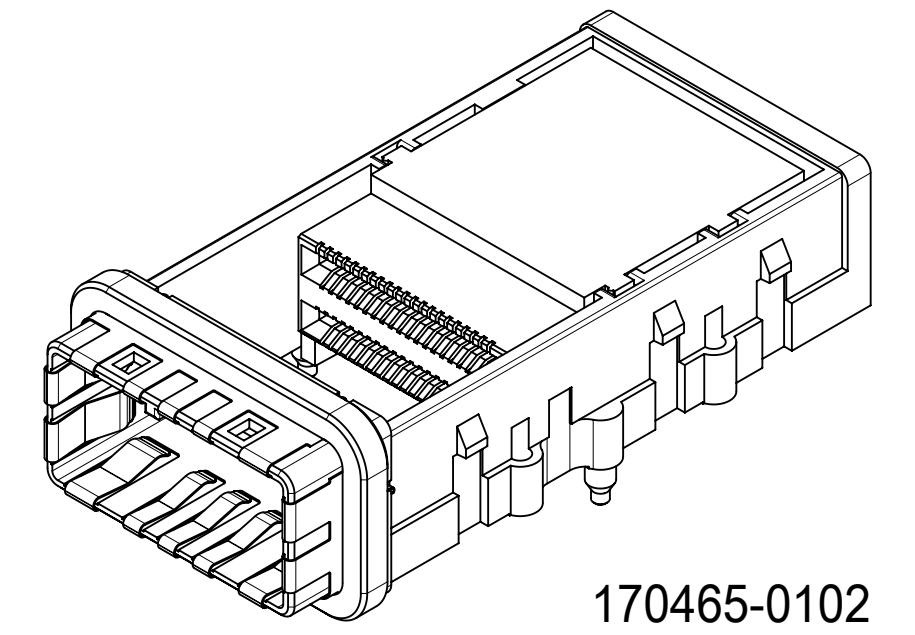
PART NUMBER	DESCRIPTION / OPTIONS	TOOLING STATUS
170465-0002	ASSEMBLY WITH COVER AND EMI GASKET	TOOLED
170465-0002	ASSEMBLY NO COVER AND EMI GASKET	TOOLED
170465-0003	ASSEMBLY WITH COVER AND EMI GASKET	TOOLED
170465-0003	ASSEMBLY NO COVER AND EMI GASKET	TOOLED



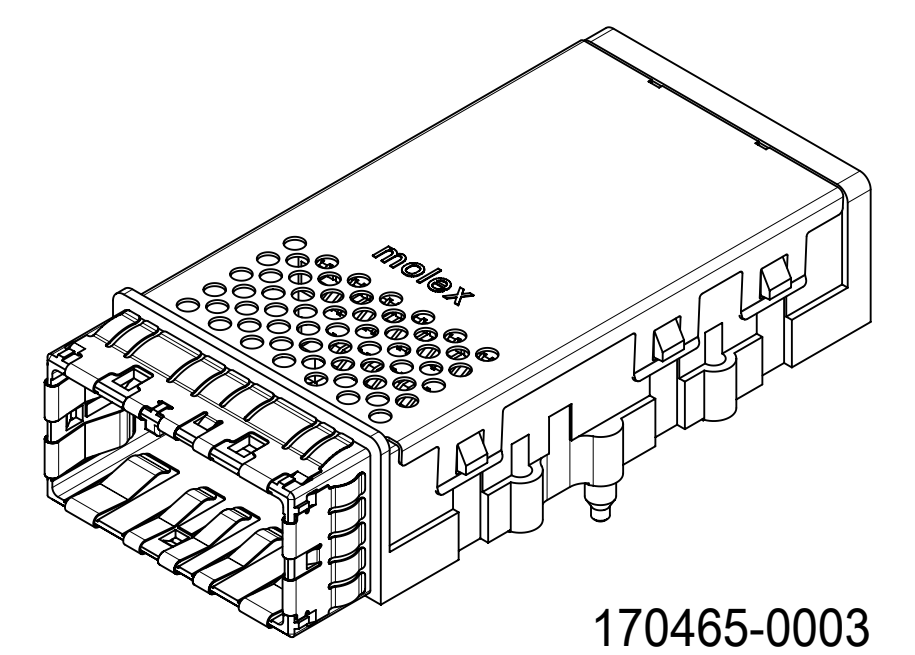
170465-0102  
SHOWN



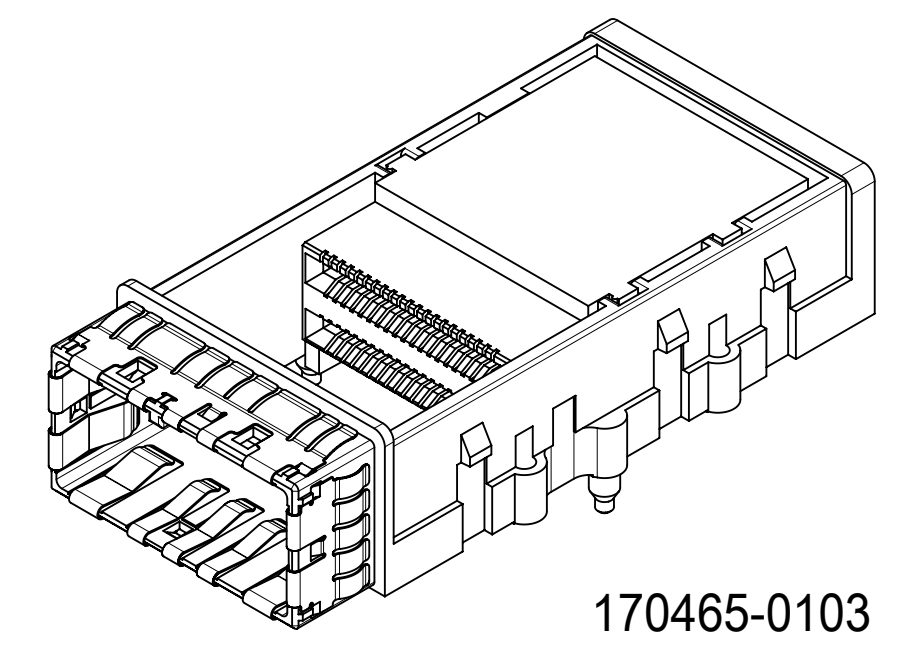
170465-0002



170465-0102



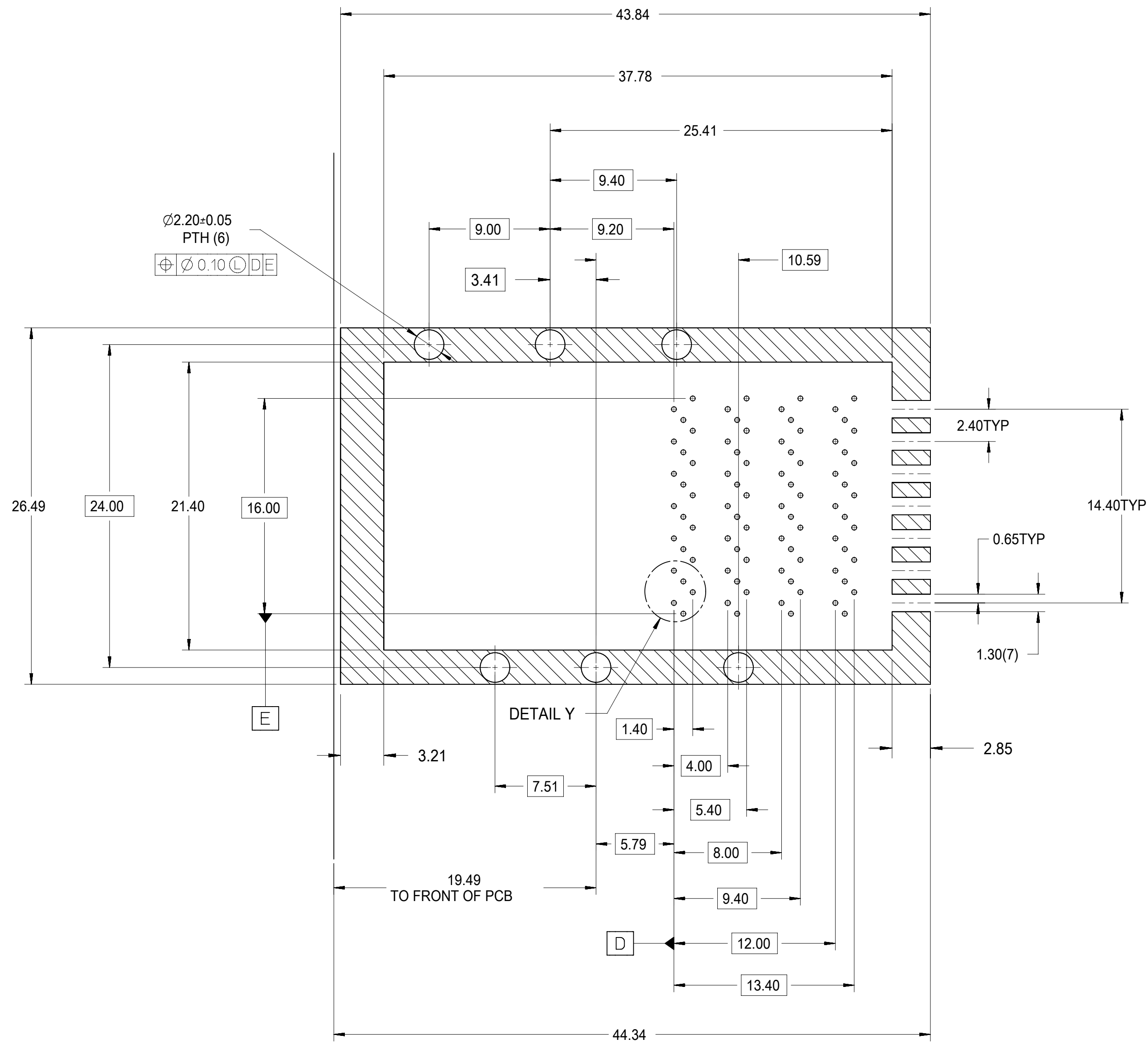
170465-0003



170465-0103

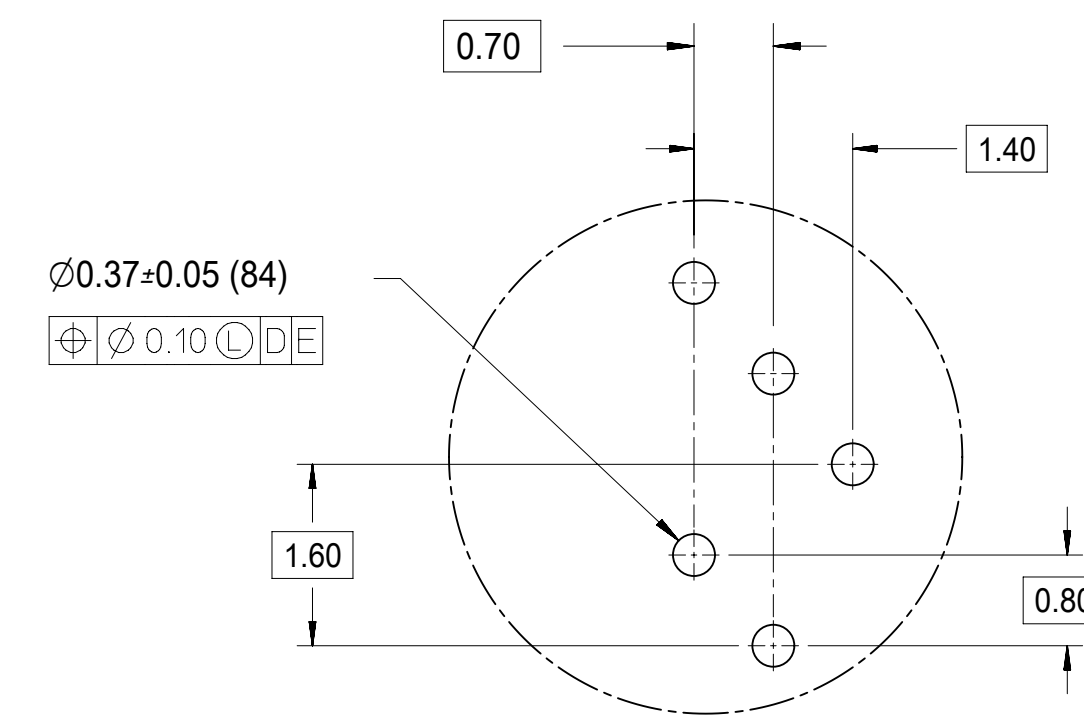
- NOTES:
- MATERIALS:  
CONNECTOR HOUSING: HIGH TEMPERATURE THERMOPLASTIC GLASS-FILLED, UL 94V-0  
EMI HOUSING: NICKEL PLATED DIE CAST ALLOY  
COVER: STAINLESS STEEL ALLOY  
EMI GASKET: CONDUCTIVE POLYMER  
EMI SPRINGS: COPPER ALLOY, TIN PLATED  
TERMINALS: COPPER ALLOY
  - TERMINAL PLATING:  
CONTACT AREA: 0.76µm MIN. GOLD OVER 2.54µm MIN. NICKEL  
TIN TAIL AREA: 0.76µm - 1.52µm TIN OVER 1.27µm MIN NICKEL
  - THIS CONNECTOR IS DESIGNED TO MATE WITH MOLEX CABLE SERIES INDICATED IN THE MOLEX PRODUCT SPEC. PS-170465-0001.
  - REFER TO ROUTING GUIDE AS-170465-0002 FOR PCB TRACE INFORMATION.
  - PACKAGING SPECIFICATION: TRAY PACK PER PK-170465-0001.
  - REFER TO AS-170465-0001 FOR THE APPLICATION SPECIFICATION.
  - MOUNTING HARDWARE REQUIRED: M2x0.4 CAP SCREWS (4)  
MOUNTING SCREW LENGTH: BOARD THICKNESS + 4mm MAX

QUALITY SYMBOLS	THIS DRAWING CONTAINS INFORMATION THAT IS PROPRIETARY TO MOLEX ELECTRONIC TECHNOLOGIES, LLC AND SHOULD NOT BE USED WITHOUT WRITTEN PERMISSION		DIMENSION UNITS		SCALE	molex®		
▽ = 0	EC NO: 171334 DRWN: JWALLACE01 CHKD: SMILLER REV APPR: SMILLER 2017/12/19 2018/01/25 2018/01/25	GENERAL TOLERANCES (UNLESS SPECIFIED) ANGULAR TOL ± 0.5 ° 4 PLACES ± 3 PLACES ± 2 PLACES ± 0.25 1 PLACE ± 0 PLACES ± DRAFT WHERE APPLICABLE MUST REMAIN WITHIN DIMENSIONS	mm	1:1	<b>I-PASS PLUS CXP EF 84 CIRCUIT</b>  PRODUCT CUSTOMER DRAWING SERIES: 170465 MATERIAL NUMBER: 1704650001 CUSTOMER: GENERAL MARKET DOCUMENT NUMBER: SD-170465-0001 DOC TYPE: PSD DOC PART: 001 SHEET NUMBER: 1 OF 5			
▽ = 0			DRWN BY: GPRATT	DATE: 2015/01/20				
▽ = 0			CHKD BY: MBANAKIS	DATE: 2015/01/20				
▽ = 0			APPR BY: MBANAKIS	DATE: 2015/01/21				
▽ = 0			DRAWING SIZE: D	THIRD ANGLE PROJECTION				
▽ = 0								



RECOMMENDED PCB LAYOUT  
COMPONENT SIDE SHOWN

PCB THICKNESS: 1.57mm MIN.

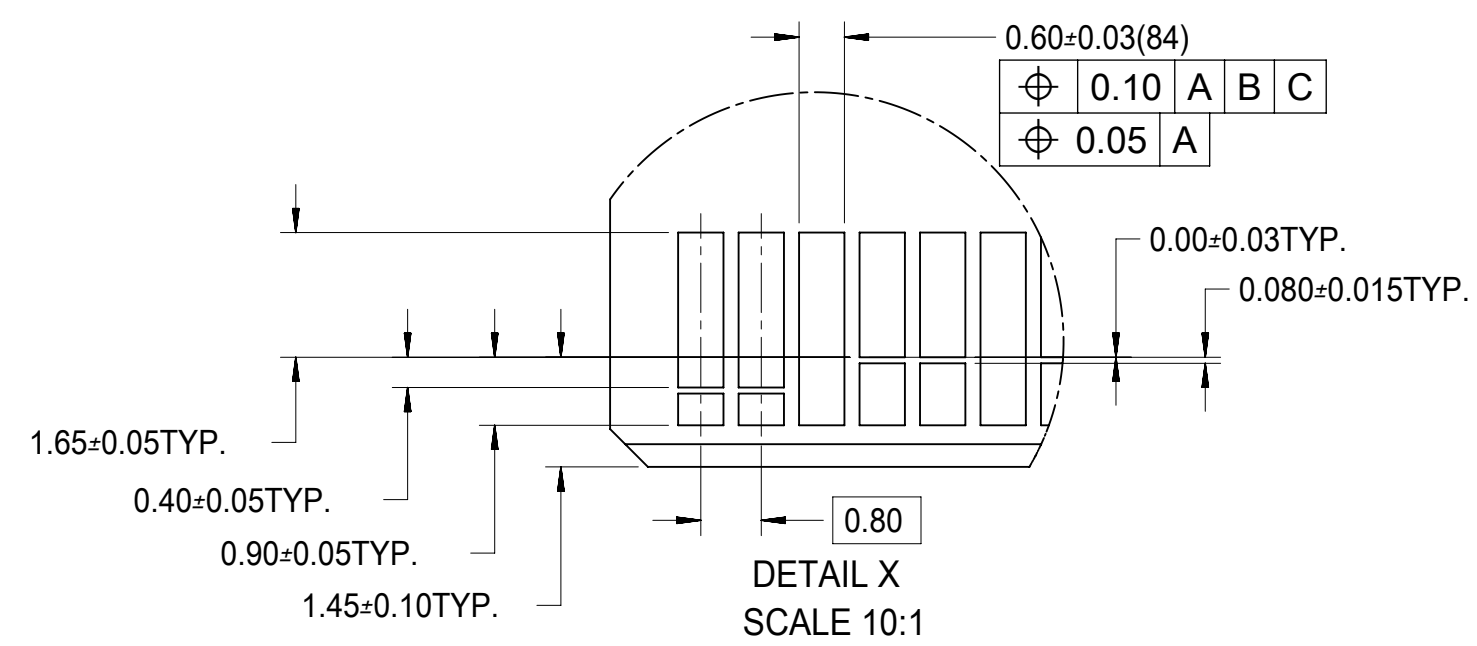
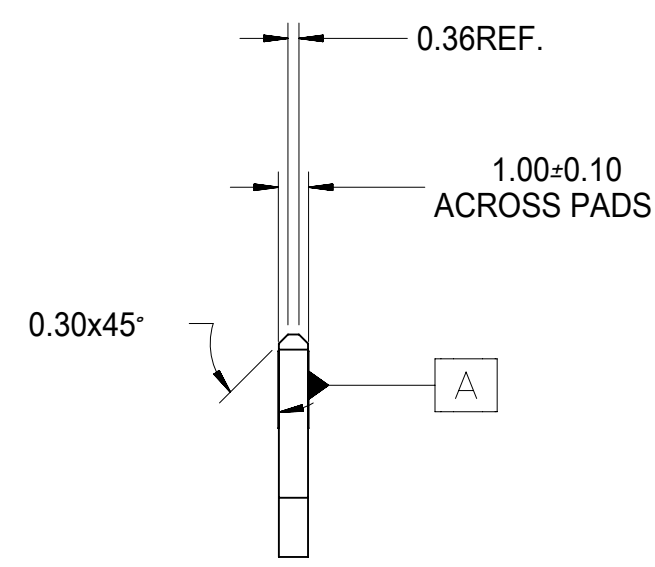
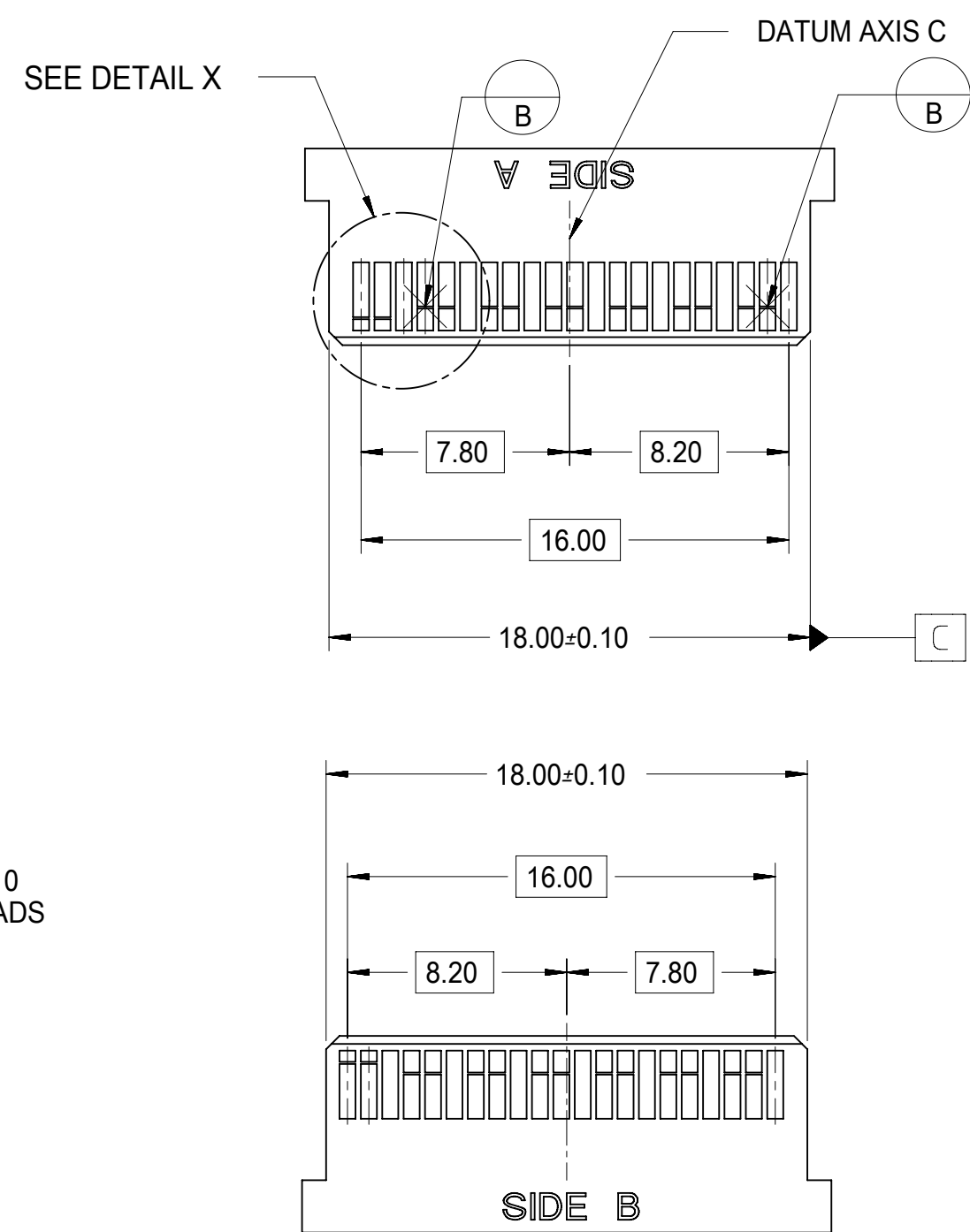
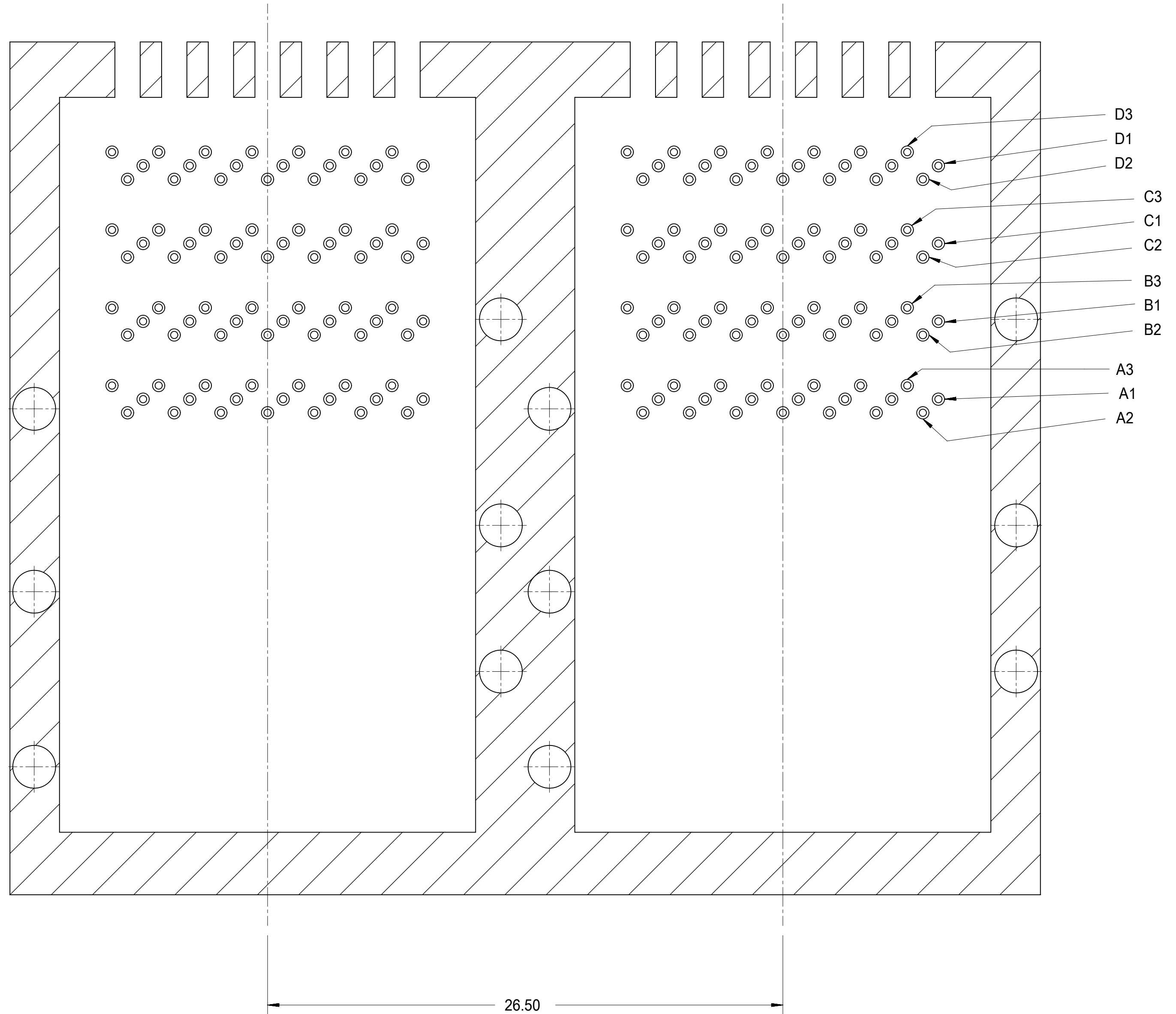


DETAIL Y  
SCALE 15:1

NOTES:

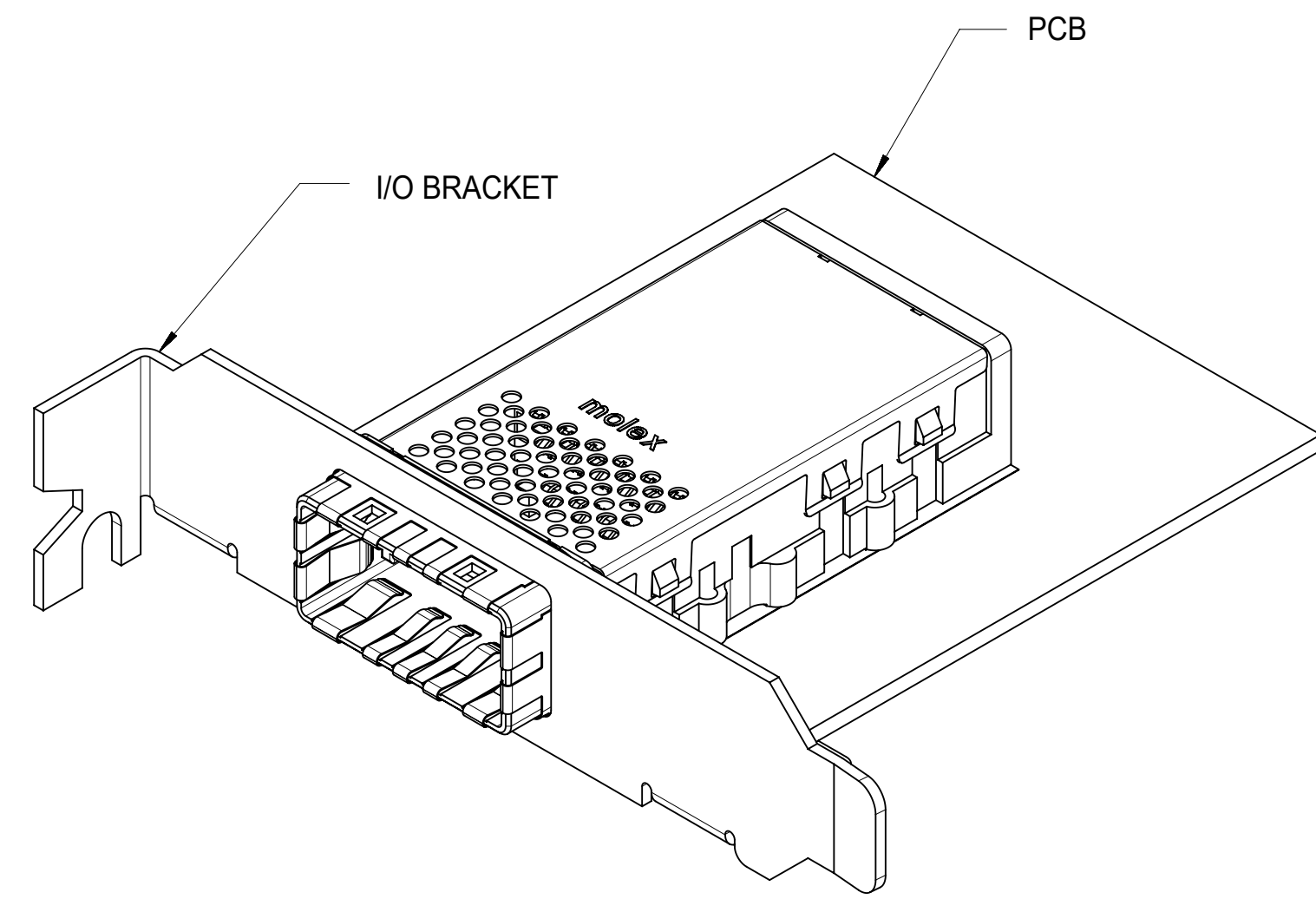
- CROSS-HATCHED AREA TO BE CONDUCTIVE ON THE PCB.
- CROSS-HATCHED AREA MUST BE INCORPORATED IN THE FLAT ROCK PRESS-FIT TOOLING.
- REFER TO THE PLATING DETAIL OF THE COMPLIANT PIN HOLES IN THE APPLICATION SPEC AS-170465-0002 FOR THE DRILL SIZE AND ANNULAR RING FOR THE 0.37 $\varnothing$  FINISHED HOLE.
- MINIMUM RECOMMENDED SPACING: 26.50mm

<b>QUALITY SYMBOLS</b> F = 0 E = 0 D = 0 C = 0 B = 0 A = 0 J = 0	THIS DRAWING CONTAINS INFORMATION THAT IS PROPRIETARY TO MOLEX ELECTRONIC TECHNOLOGIES, LLC AND SHOULD NOT BE USED WITHOUT WRITTEN PERMISSION				<b>GENERAL TOLERANCES (UNLESS SPECIFIED)</b> DIMENSION UNITS: mm SCALE: 1:1		 I-PASS PLUS CXP EF 84 CIRCUIT		
	DRWN BY: GPRATT DATE: 2015/01/20		CHKD BY: MBANAKIS DATE: 2015/01/20		PRODUCT CUSTOMER DRAWING				
	EC NO: 171334 DRWN: JWALLACE01 CHKD: SMILLER REV: APPR: SMILLER		ANGULAR TOL $\pm 0.5^\circ$ 4 PLACES $\pm$ 3 PLACES $\pm$ 2 PLACES $\pm 0.25$ 1 PLACE $\pm$ 0 PLACES $\pm$		APPR BY: MBANAKIS DATE: 2015/01/21		SERIES: 170465 MATERIAL NUMBER: 1704650001 CUSTOMER: GENERAL MARKET		
	DRAFT WHERE APPLICABLE MUST REMAIN WITHIN DIMENSIONS		DRAUGHTING SIZE: D THIRD ANGLE PROJECTION		DOCUMENT NUMBER: SD-170465-0001 DOC TYPE: PSD DOC PART: 001		SHEET NUMBER: 2 OF 5		

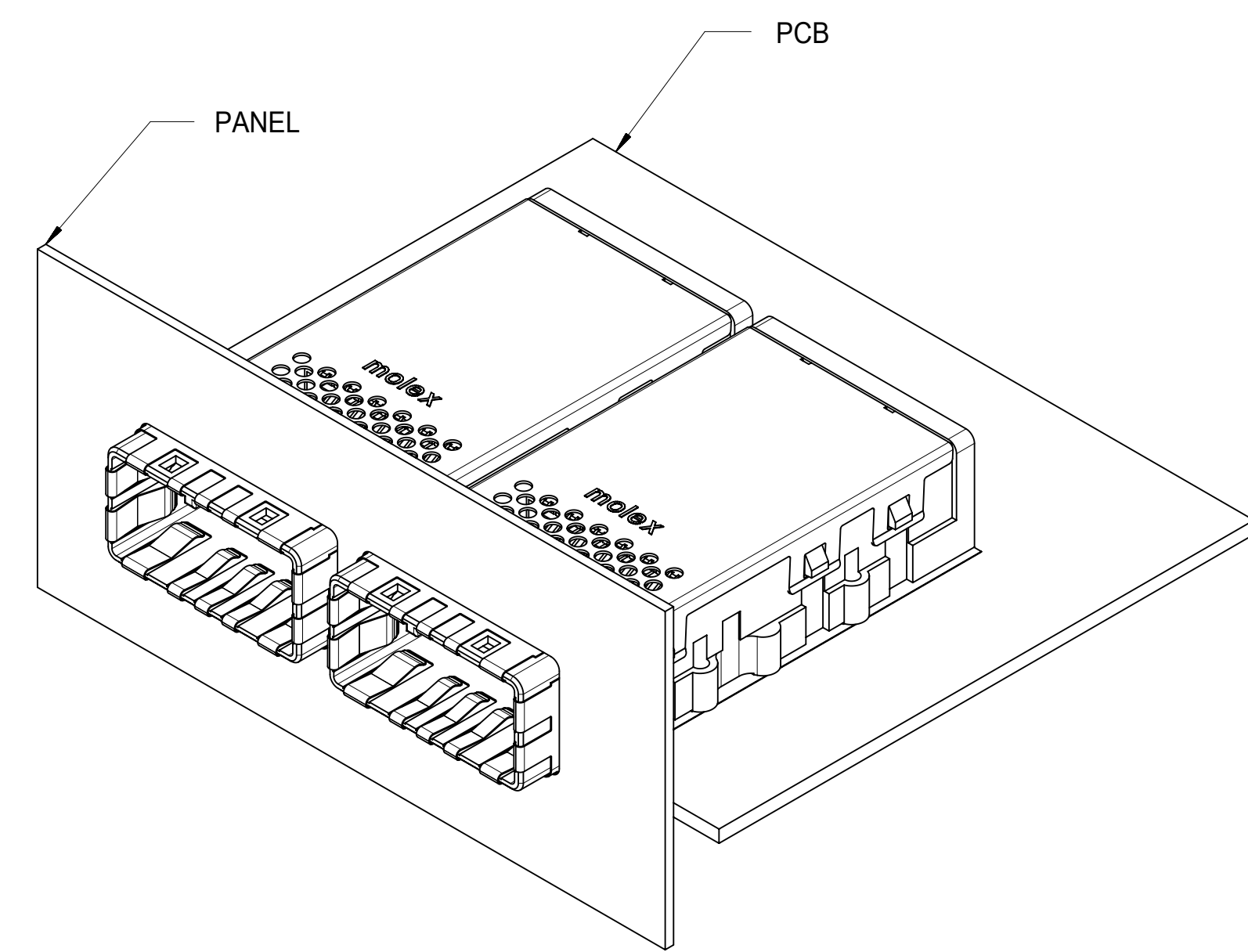


- NOTES:
1. 0.03 MINIMUM KEEP OUT FOR SOLDER MASK AROUND ALL PADS
  2. DATUM B TARGETS ARE DEFINED BY THE RESPECTIVE PAD CENTER LINES AND THE LEADING EDGE OF THE TARGET PADS

<b>QUALITY SYMBOLS</b> 	THIS DRAWING CONTAINS INFORMATION THAT IS PROPRIETARY TO MOLEX ELECTRONIC TECHNOLOGIES, LLC AND SHOULD NOT BE USED WITHOUT WRITTEN PERMISSION			
	EC NO: 171334 DRWN: JWALLACE01 CHKD: SMILLER REV APPR: SMILLER	2017/12/19 2018/01/25 2018/01/25	<b>GENERAL TOLERANCES (UNLESS SPECIFIED)</b> ANGULAR TOL ± 0.5 ° 4 PLACES ± 3 PLACES ± 2 PLACES ± 0.25 1 PLACE ± 0 PLACES ± DRAFT WHERE APPLICABLE MUST REMAIN WITHIN DIMENSIONS	DIMENSION UNITS: mm SCALE: 1:1 DRWN BY: GPRATT DATE: 2015/01/20 CHKD BY: MBANAKIS DATE: 2015/01/20 APPR BY: MBANAKIS DATE: 2015/01/21
RELEASE STATUS: P1 RELEASE DATE: 2018/01/25 15:49:29	SERIES: 170465 MATERIAL NUMBER: 1704650001 CUSTOMER: GENERAL MARKET	DOCUMENT NUMBER: SD-170465-0001 DOC TYPE: PSD DOC PART: 001 SHEET NUMBER: 3 OF 5		

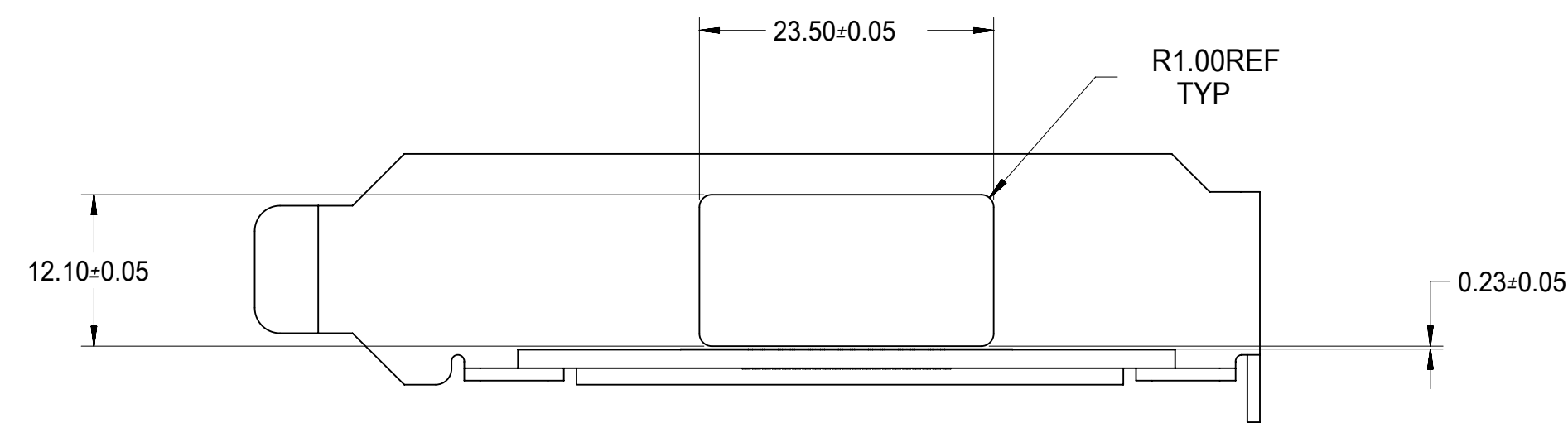


170465-0002  
SHOWN



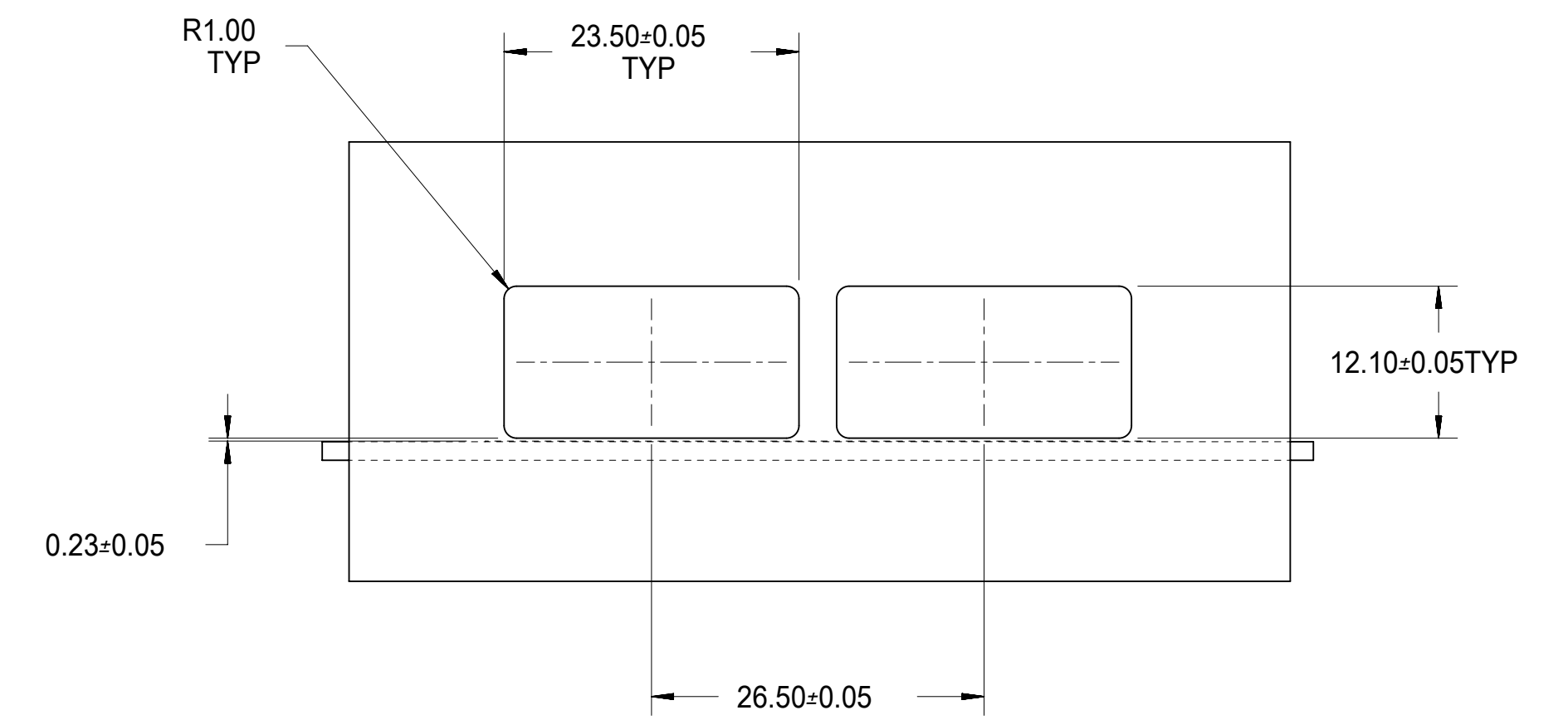
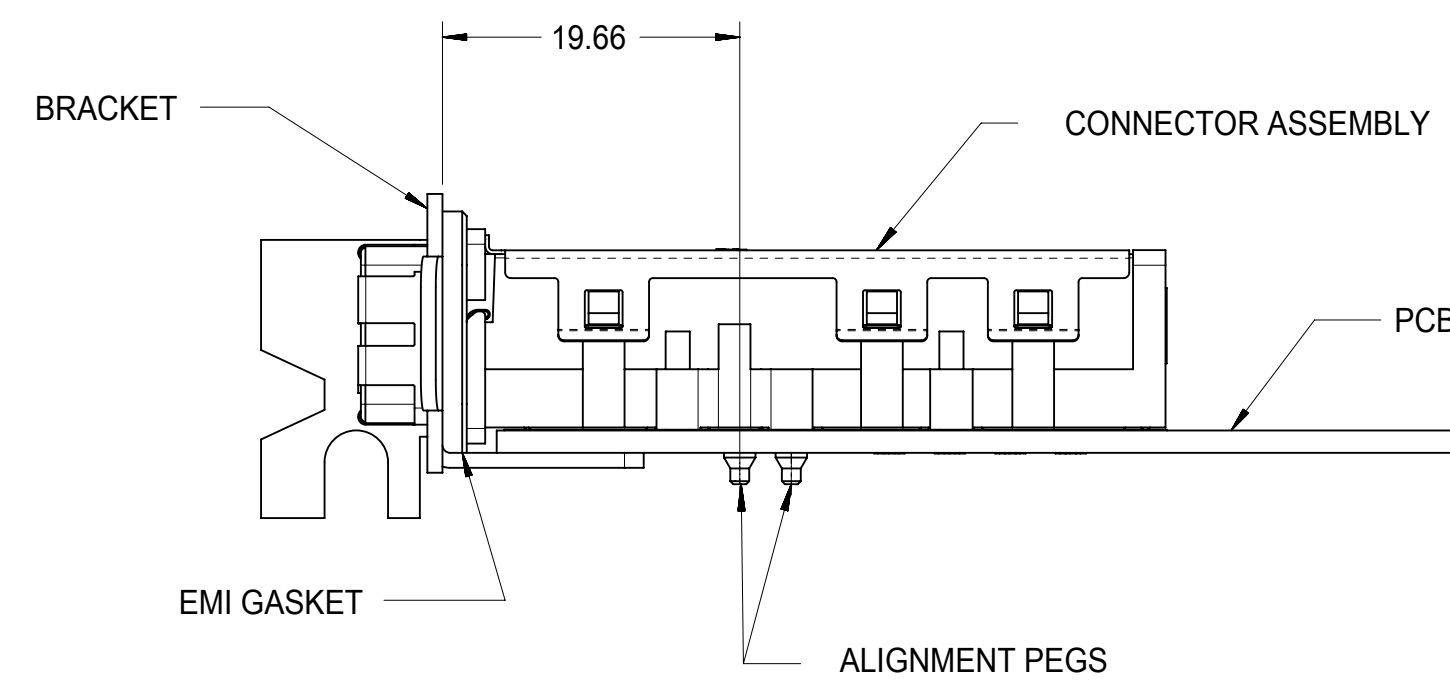
170465-0002  
SHOWN

FOR ASSEMBLIES  
170465-0002 & 170465-0102



RECOMMENDED I/O BRACKET CUT-OUT

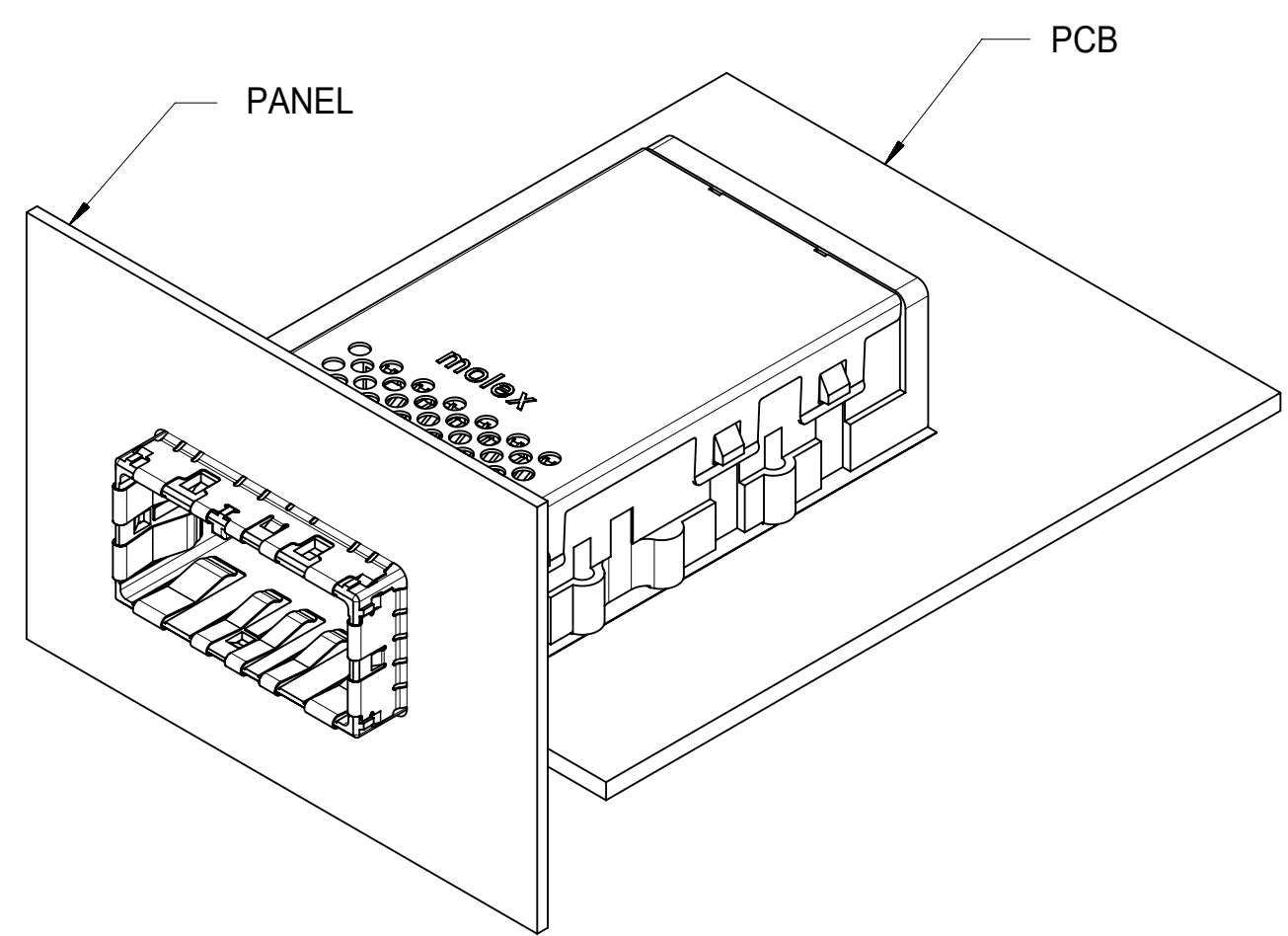
(NOT SUPPLIED)



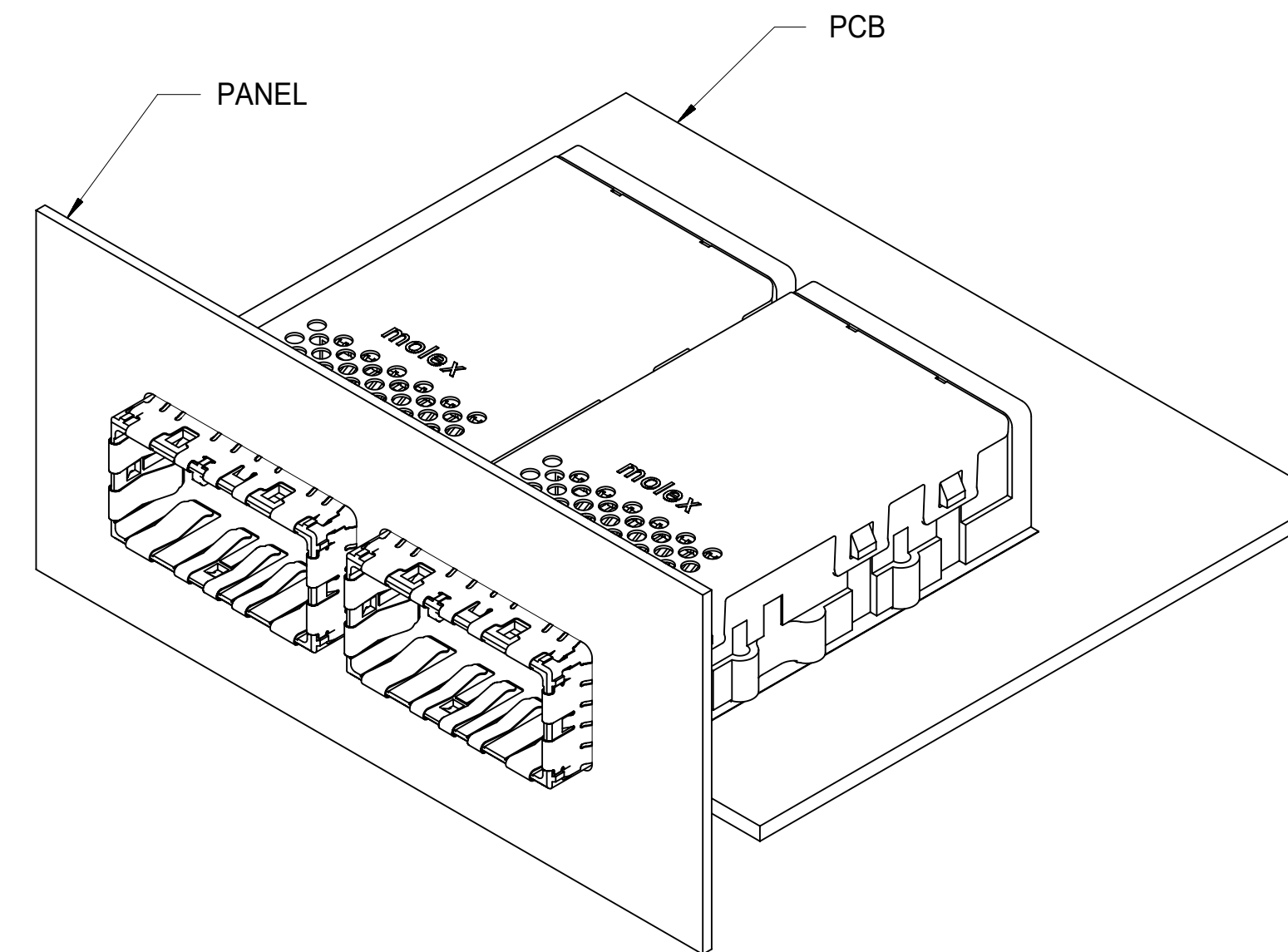
RECOMMENDED PANEL CUT-OUT

(NOT SUPPLIED)

<b>QUALITY SYMBOLS</b> 	THIS DRAWING CONTAINS INFORMATION THAT IS PROPRIETARY TO MOLEX ELECTRONIC TECHNOLOGIES, LLC AND SHOULD NOT BE USED WITHOUT WRITTEN PERMISSION										
	EC NO: 171334 DRWN: JWALLACE01 CHKD: SMILLER REV APPR: SMILLER	<b>GENERAL TOLERANCES (UNLESS SPECIFIED)</b> ANGULAR TOL ± 0.5 °		DIMENSION UNITS <b>mm</b>	SCALE <b>1:1</b>						
		4 PLACES ±	DRWN BY <b>GPRATT</b>	DATE <b>2015/01/20</b>							
		3 PLACES ±	CHKD BY <b>MBANAKIS</b>	DATE <b>2015/01/20</b>							
		2 PLACES ± 0.25	APPR BY <b>MBANAKIS</b>	DATE <b>2015/01/21</b>							
	1 PLACE ±	DRAWING SIZE <b>D</b>	THIRD ANGLE PROJECTION 	SERIES <b>170465</b>	MATERIAL NUMBER <b>1704650001</b>	CUSTOMER <b>GENERAL MARKET</b>					
	0 PLACES ±	DRAFT WHERE APPLICABLE MUST REMAIN WITHIN DIMENSIONS	DOCUMENT NUMBER <b>SD-170465-0001</b>	DOC TYPE <b>PSD</b>	DOC PART <b>001</b>	SHEET NUMBER <b>4 OF 5</b>					
	RELEASE STATUS <b>P1</b>	RELEASE DATE <b>2018/01/25</b>	15:49:29								

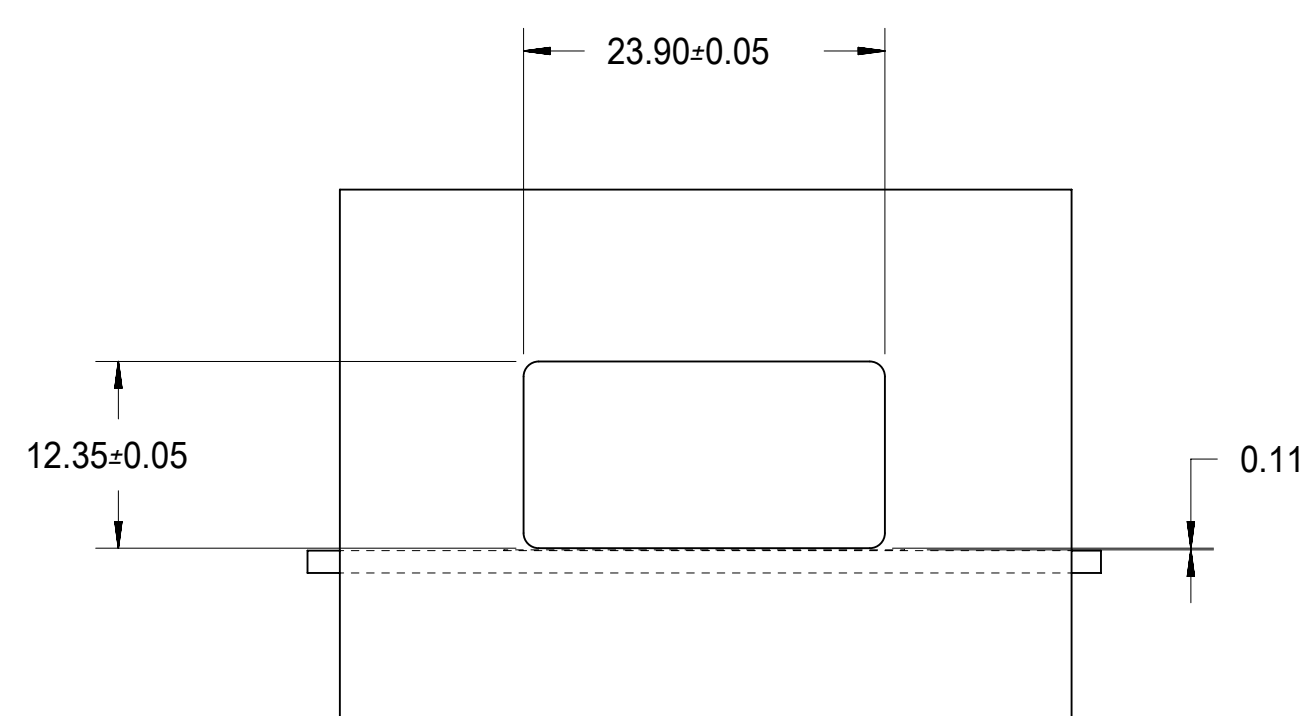


170465-0003  
SHOWN

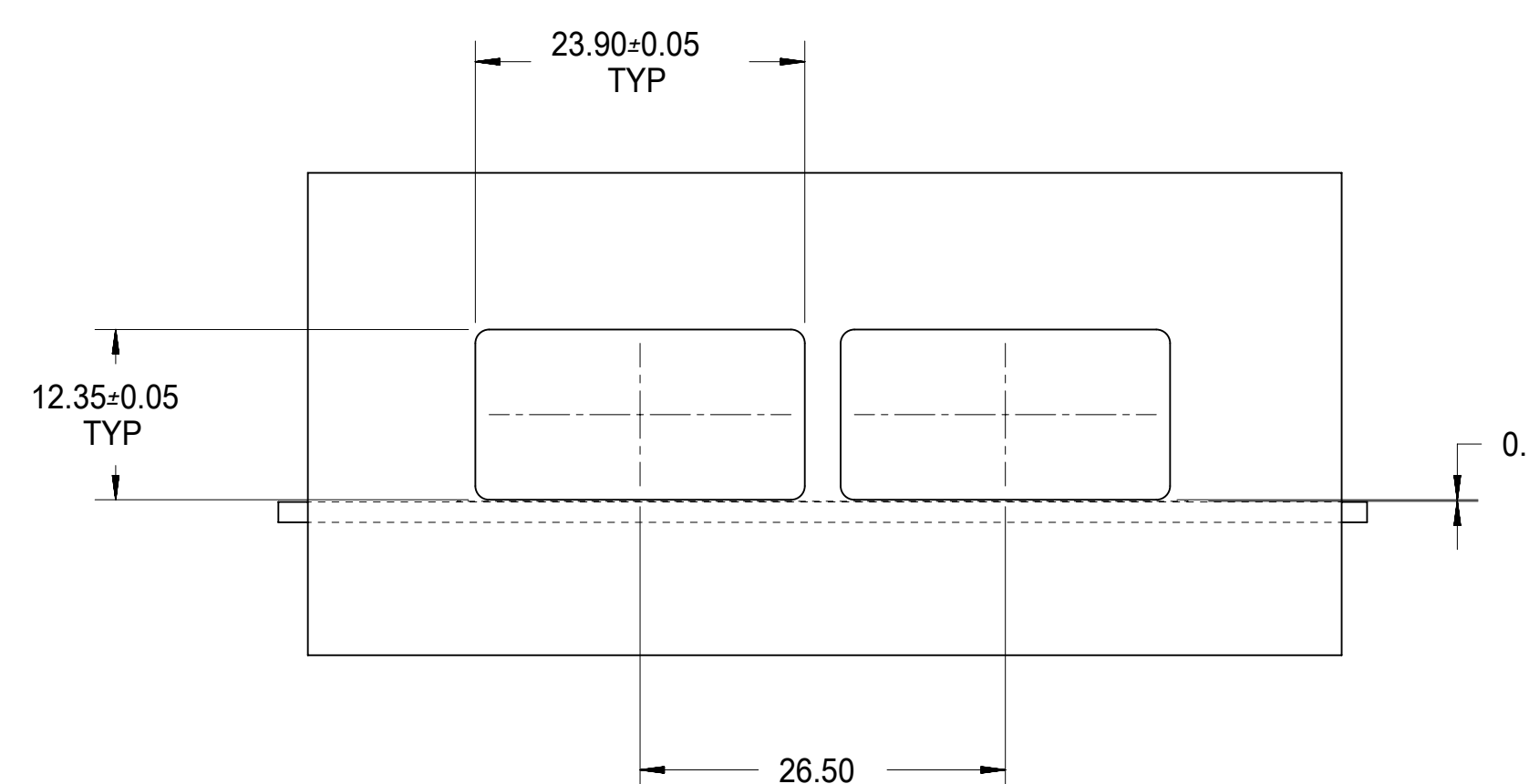
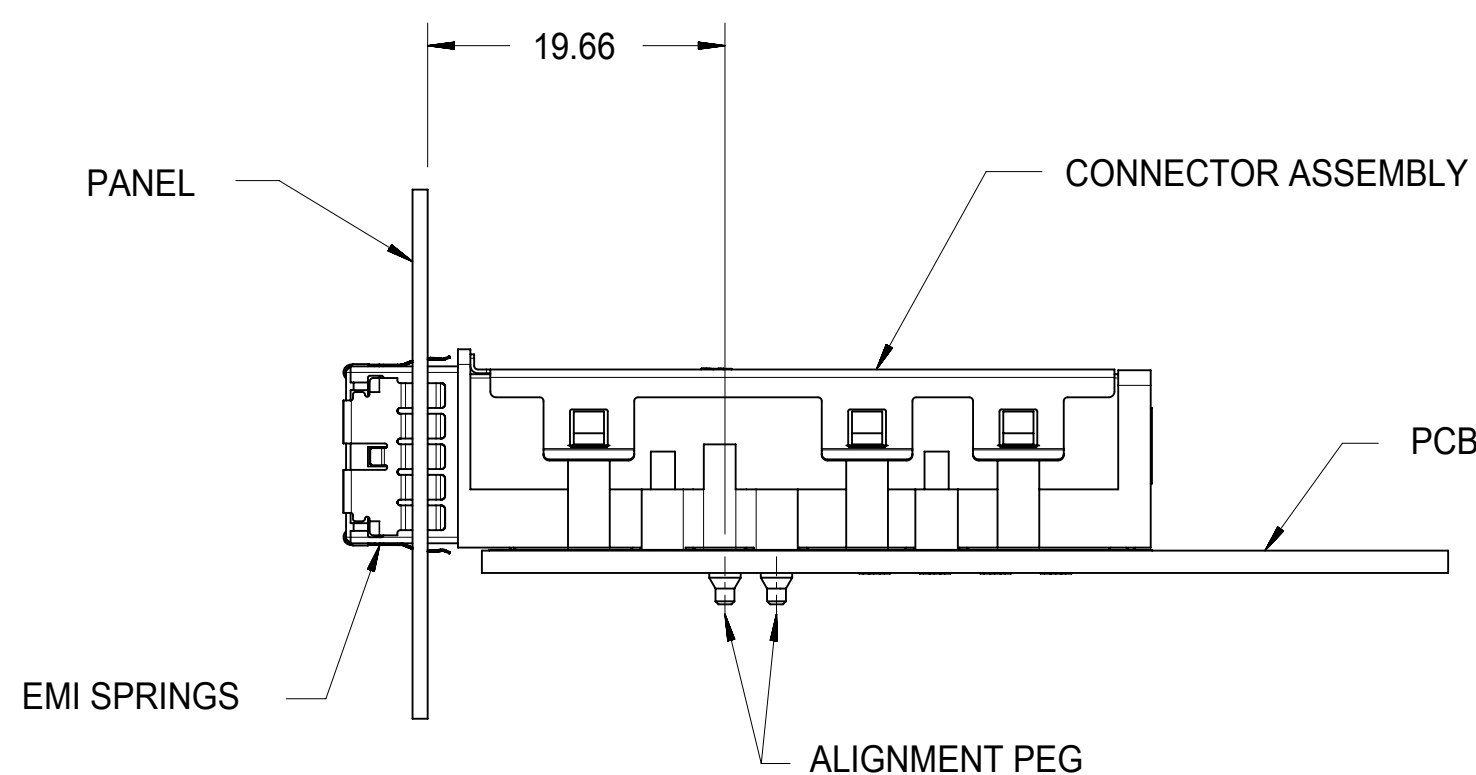


170465-0003  
SHOWN

FOR ASSEMBLIES  
170465-0003 & 170465-0103



RECOMMENDED SINGLE PANEL CUT-OUT  
(NOT SUPPLIED)



RECOMMENDED DUAL PANEL CUT-OUT  
(NOT SUPPLIED)

THIS DRAWING CONTAINS INFORMATION THAT IS PROPRIETARY TO MOLEX ELECTRONIC TECHNOLOGIES, LLC AND SHOULD NOT BE USED WITHOUT WRITTEN PERMISSION													
QUALITY SYMBOLS	EC NO: 171334 DRWN: JWALLACE01 CHKD: SMILLER REV APPR: SMILLER	GENERAL TOLERANCES (UNLESS SPECIFIED)		DIMENSION UNITS	SCALE								
		ANGULAR TOL ± 0.5 °		mm	1:1								
▽ = 0	2017/12/19 2018/01/25 2018/01/25	4 PLACES ±	GPRATT	DATE	I-PASS PLUS CXP EF 84 CIRCUIT								
▽ = 0		3 PLACES ±	MBANAKIS	2015/01/20									
▽ = 0		2 PLACES ± 0.25	MBANAKIS	2015/01/20	PRODUCT CUSTOMER DRAWING								
▽ = 0		1 PLACE ±	MBANAKIS	2015/01/21									
▽ = 0		0 PLACES ±	DRAFT WHERE APPLICABLE MUST REMAIN WITHIN DIMENSIONS		DRAWING SIZE	THIRD ANGLE PROJECTION	SERIES	MATERIAL NUMBER	CUSTOMER				
▽ = 0			D		170465	1704650001	GENERAL MARKET						
RELEASE STATUS	P1	RELEASE DATE	2018/01/25	15:49:29	DOCUMENT NUMBER		SD-170465-0001	DOC TYPE	PSD	DOC PART	001	SHEET NUMBER	5 OF 5