

12x06 Receiver
with waterproof front tape

TR1206L020UN32WPGDA



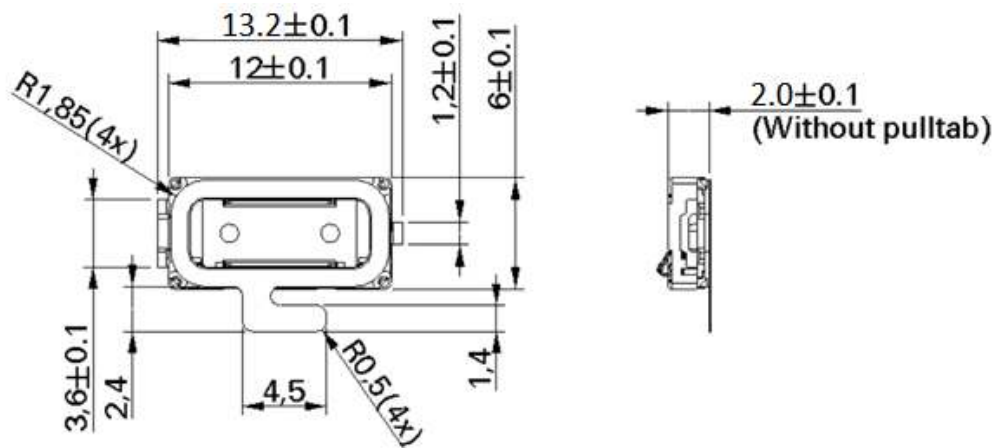
Revision

Date	Version	Status	Changes	Approver
2018/10/30	V0.1	Draft	First release	Lionel

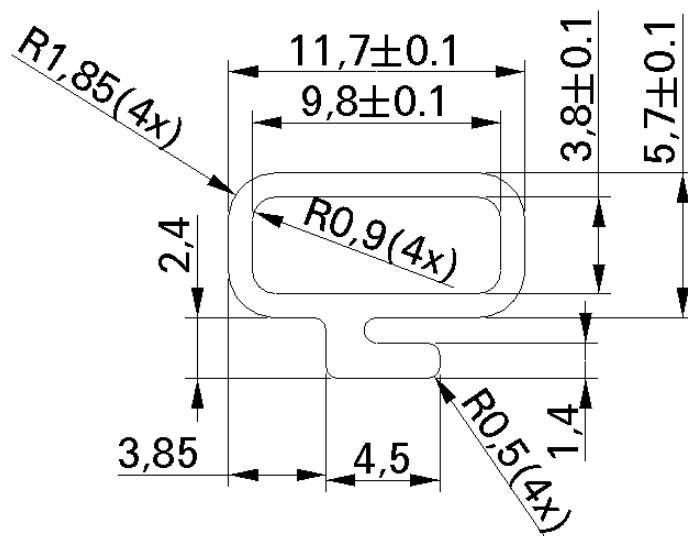
1. Mechanical Characteristics

1.1. Mechanical Drawing

1.1.1. Assembly drawing:



1.1.2. Gasket drawing:



1.1.3. Assembly details:



Removable pull-tab

0.05mm



Waterproof tape

0.20mm



Speaker

2.0mm

1.2. Material List

Speaker see specification

TR1206L020UN32WP

Gasket: See specification

GASKET6X12W

2. Related document

TR1206L020UN32WP dedicated datasheet