

PART NAME: KNOB

SCALE: 1:1

DATE: 4/29/88

DR. BY HD



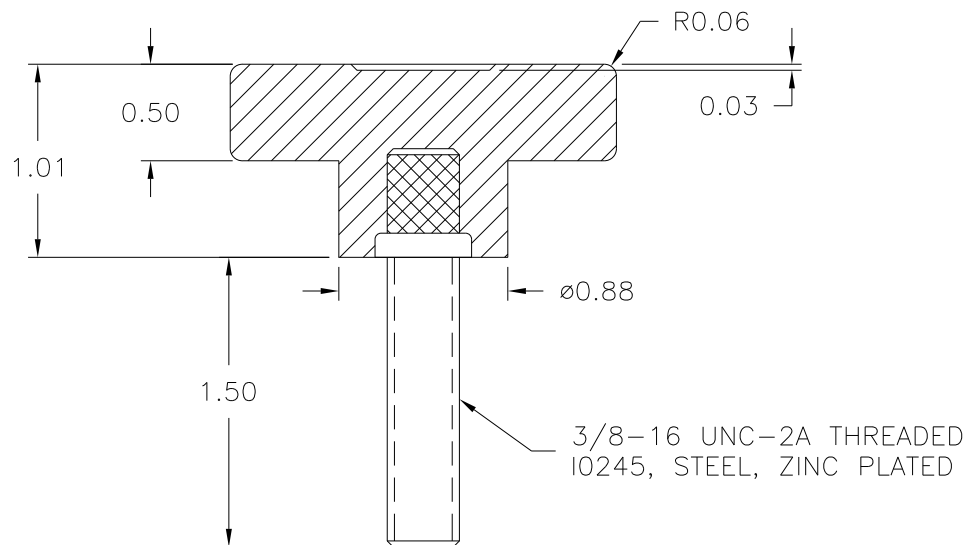
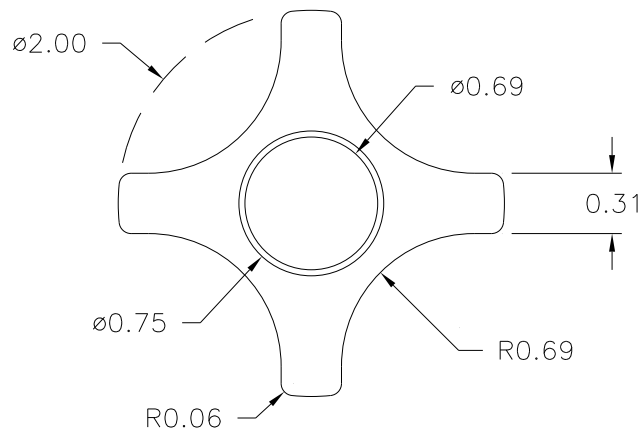
DESIGNERS & MANUFACTURERS OF KNOBS, HANDLES, CASES & CUSTOM PLASTIC COMPONENTS

P/N 2830-T

M<sup>NO.</sup> 2890-2830

THIS DRAWING IS THE PROPERTY OF DAVIES MOLDING COMPANY, IS SUBMITTED SOLELY AS A DESIGN OR ENGINEERING PROJECT. WE ACCEPT NO RESPONSIBILITY WHATSOEVER FOR THE PRACTICAL APPLICATION OF THE PIECES MADE TO THIS DESIGN.

|                |        |
|----------------|--------|
| CAVITY         | 2830   |
| PLUNGER        | 2830   |
| PLUNGER PIN    | 2830   |
| PINS           | 3000-F |
| LANDING BAR    | .472   |
| PIN PLATE SHIM | .498   |
| SHIM           | .018   |
| INSERT         | I0245  |



(A)

MATERIAL: #4311 PLENCO PHENOLIC (B41)  
 COLOR: BLACK

|   |                                  |   |               |    |          |
|---|----------------------------------|---|---------------|----|----------|
| TOLERANCES:<br>UNLESS OTHERWISE SPECIFIED | DO NOT SCALE<br>DRAWING          |   |               |    |          |
| DECIMALS: X.XXX ± .005<br>X.XX ± .015     | MM: X.XX ± 0.15MM<br>X.X ± 0.4MM | A | SHIM WAS .078 | ST | 5/10/01  |
| FRACTIONS ± 1/64                          | ANG. ± 1°                        | - | RE-DID REDRAW | TL | 11/19/99 |
|   |                                  | - | CAD REDRAW    | HD | 4/12/93  |
| CHANGES                                   |                                  |   |               |    |          |