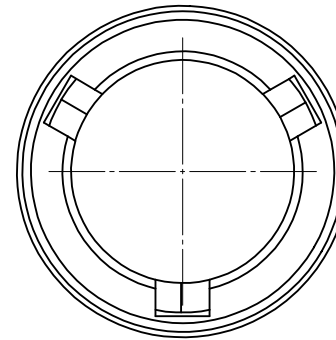
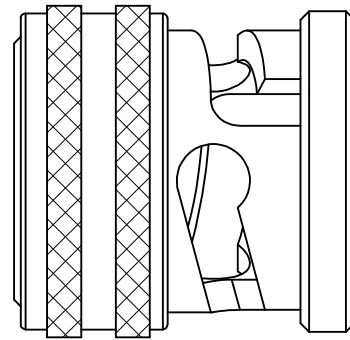


MATERIALS & FINISHES:

COUPLING NUT: BRASS
 PLATED: NICKEL (100μ-in MIN)

GASKET: SILICONE RUBBER

CAP: BRASS
 PLATED: NICKEL (100μ-in MIN)



PART # 73415-1970

ORIGINALLY DRAWN BY AZR 08/12/03

UNLESS OTHERWISE SPECIFIED DIMS
 ARE MILLIMETERS AND ANGLES ARE DEGREES.

- ALL OVER.
- NO CHATTER OR NON-UNIFORM SURFACE FINISH ALLOWED.
- PARTS TO BE FREE OF BURRS & SHARP EDGES 0.13(005) MAX BREAK.
- EXTERNAL THREADS TO BE ROLLED OR SINGLE POINT.
- DIAMETERS TO BE CONCENTRIC WITHIN 0.08(.003) TIR.

CHG: REDRAWN
 EEC NO: URF2016-0790
 DRWN:BBHARADWAJD 2016/05/23
 CHKD:AZR 2016/05/23
 APPR:AROBERTSON 2016/06/06

REV	DESCRIPTION
B	

QUALITY SYMBOLS
▽=0
▽=0
▽=0

GENERAL TOLERANCES (UNLESS SPECIFIED)	
	IN/MM
4 PLACES	± --- ± ---
3 PLACES	± --- ± 0.010
2 PLACES	± 0.25 ± ---
1 PLACE	± --- ± ---
0 PLACE	± --- ± ---
ANGULAR ±1/2°	
DRAFT WHERE APPLICABLE MUST REMAIN WITHIN DIMENSIONS	

DIMENSION STYLE	
IN/MM	
DRAWN BY	DATE
TEF	2016/05/23
CHECKED BY	DATE
AZR	2016/05/23
APPROVED BY	DATE
AROBERTSON	2016/06/06
MATERIAL NO.	
734151970	

SCALE	DESIGN UNITS	THIRD ANGLE PROJECTION
	INCH	☉ □
TITLE		
BNC PLUG 3 SLOT DUST CAP, EWR-2339 BNC-M		
molex		
DOCUMENT NO.	SHEET NO.	
SD-73415-197	1 OF 1	
THIS DRAWING CONTAINS INFORMATION THAT IS PROPRIETARY TO MOLEX INCORPORATED AND SHOULD NOT BE USED WITHOUT WRITTEN PERMISSION		