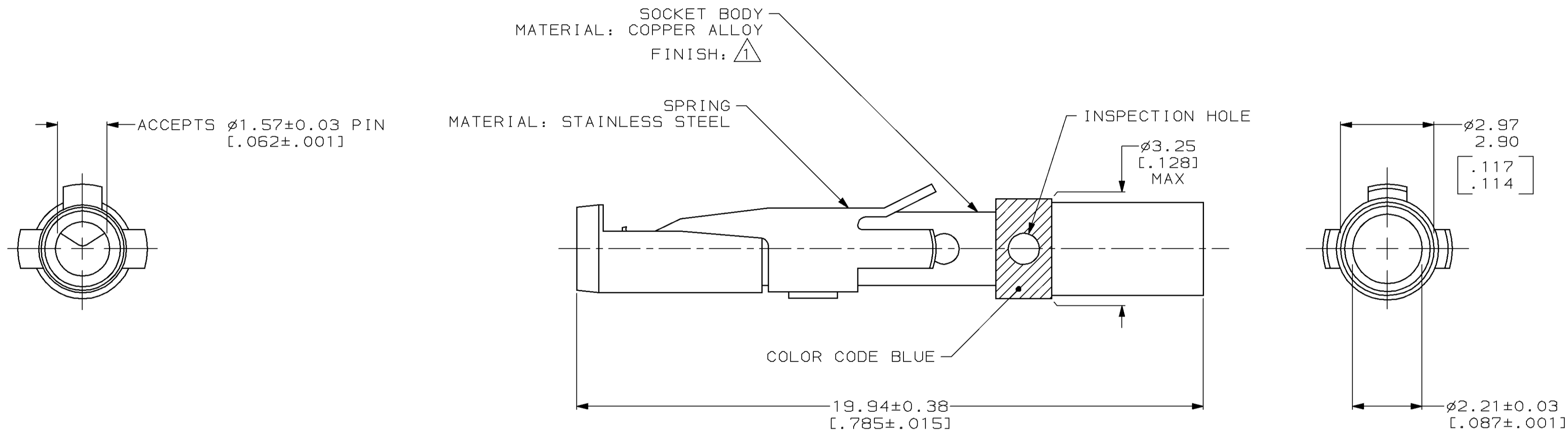


THIS DRAWING IS UNPUBLISHED. RELEASED FOR PUBLICATION, 19
 © COPYRIGHT 19 BY AMP INCORPORATED. ALL RIGHTS RESERVED.

LOC		DIST		REVISIONS			
P	LTR	DESCRIPTION		DATE	DWN	APVD	
FT	8	F		REDRAWN W/O CHANGE PER EC 0320-109-96	03 DEC 97	-	-



$\triangle 1$ 0.76µm [.000030] MIN GOLD OVER 1.27µm [.000050] MIN NICKEL.

202726-1
 PART NUMBER

THIS DRAWING IS A CONTROLLED DOCUMENT.		DWN B. CARBO 03 DEC 97	AMP Incorporated Harrisburg, PA 17105-3608	
DIMENSIONS: mm [INCHES]		CHK R. STONE 10 DEC 97	NAME G. STEINHAUER	
TOLERANCES UNLESS OTHERWISE SPECIFIED:		APVD G. STEINHAUER 06 JAN 98	PRODUCT SPEC	
0 PLC ±-		APPLICATION SPEC		
1 PLC ±-		WEIGHT		
2 PLC ±0.13 [.005]		SCALE 10:1		
3 PLC ±-		SHEET 1 OF 1		
4 PLC ±-		REV F		
ANGLES ±-		CUSTOMER DRAWING		
FINISH SEE CALLOUTS		RESTRICTED TO		
MATERIAL SEE CALLOUTS		SIZE CAGE CODE DRAWING NO		
		A2 00779 C= 202726		

202726

A